





4

3

2

1

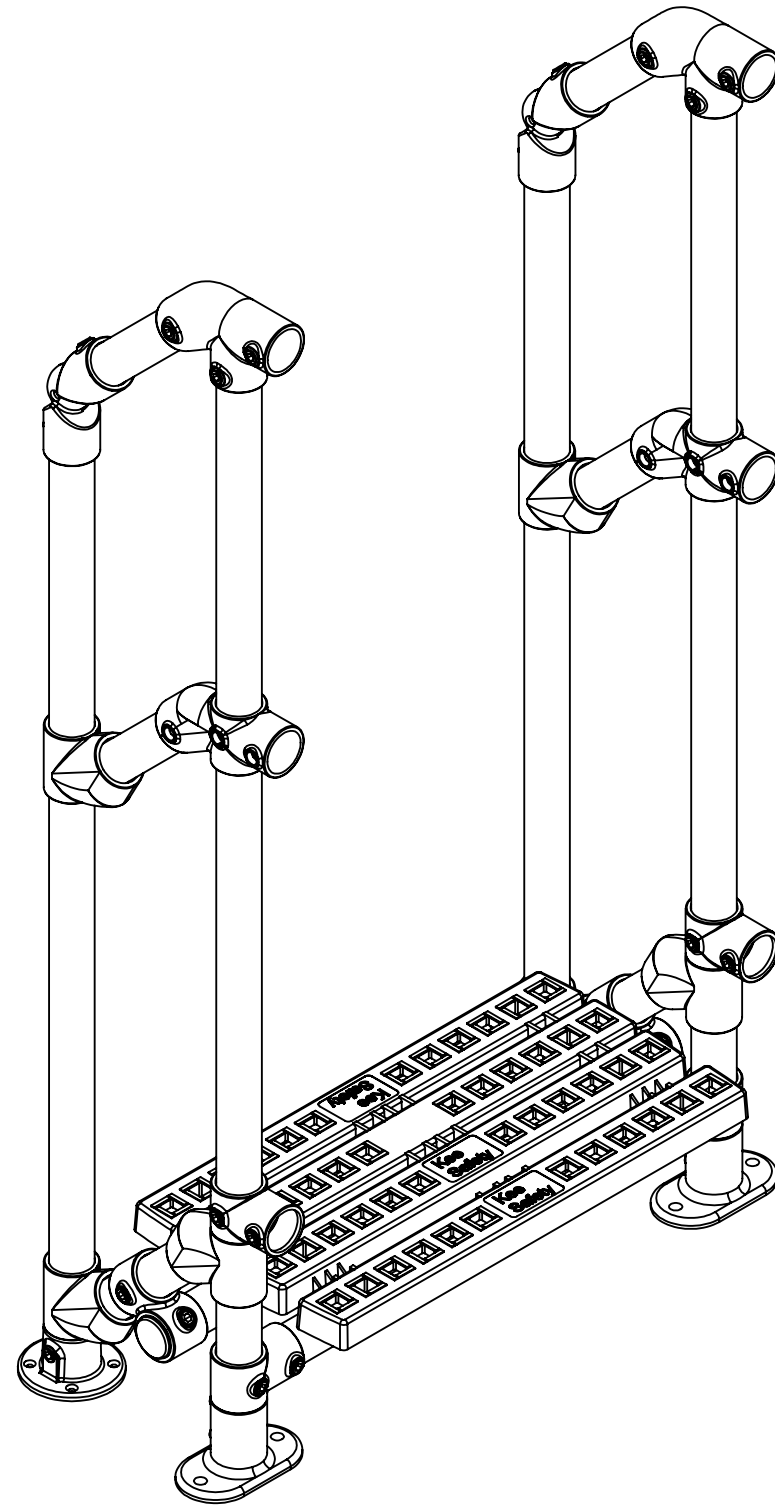
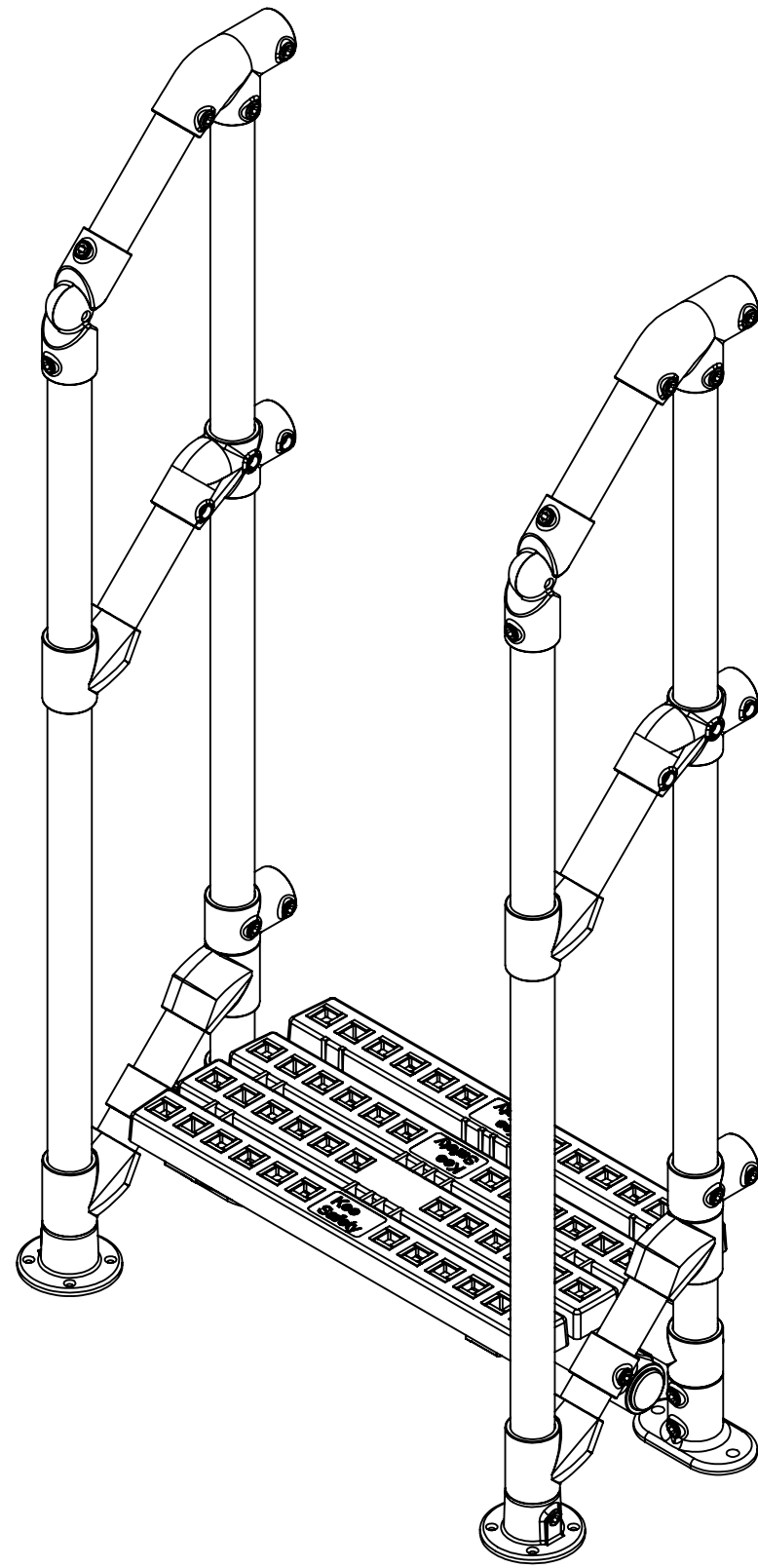
**CONFIDENTIAL:**  
 THIS DRAWING AND THE INFORMATION IT CONTAINS IS CONFIDENTIAL. IT MUST NOT BE REPRODUCED, OR COPIED, OR USED FOR ANY OTHER PURPOSE WITHOUT THE WRITTEN PERMISSION OF KEE SAFETY.

B

B

A

A



REVISIONS	
0	FIRST ISSUE

**Kee Safety**  
 Kee Safety, Inc.  
 100 Stradman Street  
 Buffalo, NY 14206  
 Tel: (716) 896-4949  
 Fax: (716) 896-5696  
 Toll Free: (800) 851-5181  
 www.keesafety.com  
 Email: info@keesafety.com

SOLD TO: \_\_\_\_\_  
 END USER: \_\_\_\_\_  
 INSTALL ADDRESS: \_\_\_\_\_

TITLE: **SAP-S-1-NS-8**

SCALE: N/A	DATE:	DRAWN: AWK	CHECKED: AL
PAGE NO: PG3	DRAWING NO: STAIR BOM	REVISION:	

4

3

2

1





4

3

2

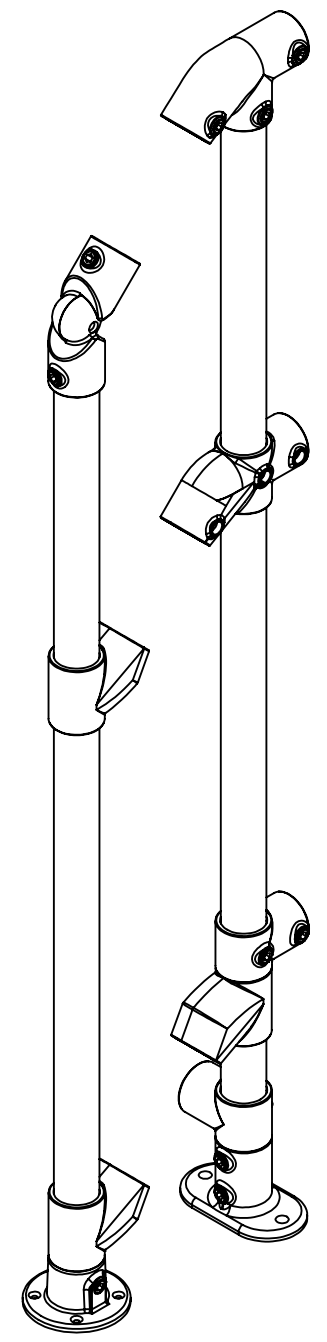
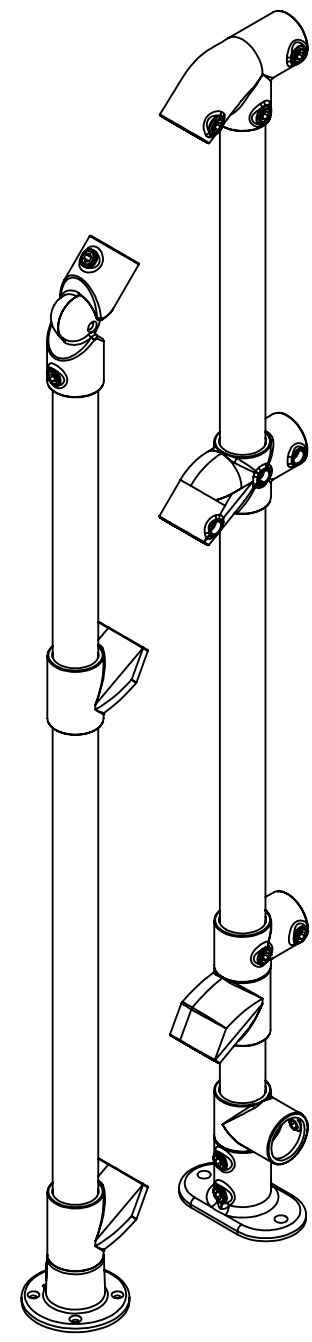
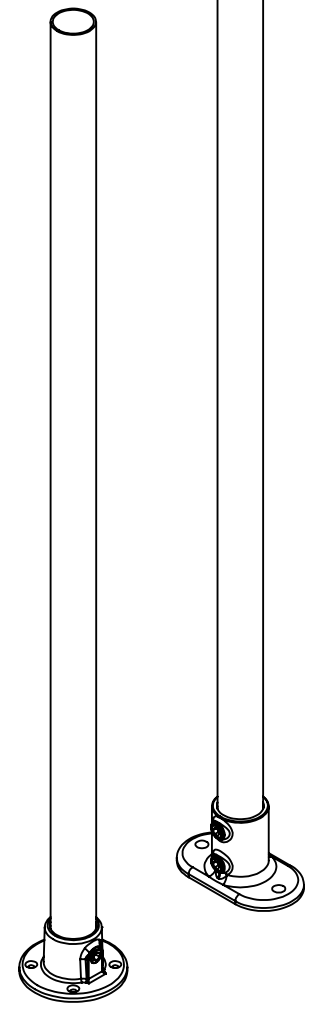
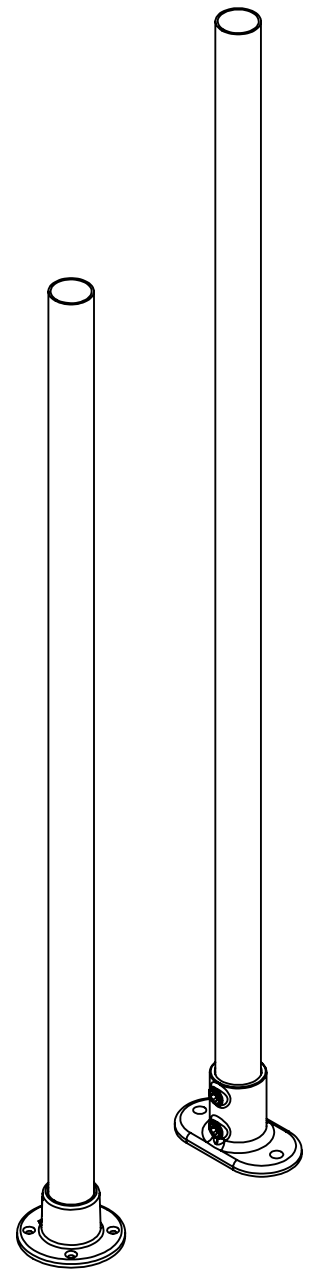
1

B

B

A

A



1 STEP ASSEMBLY - 1  
NOT TO SCALE

1 STEP ASSEMBLY - 2  
NOT TO SCALE

**CONFIDENTIAL:**  
THIS DRAWING AND THE INFORMATION IT CONTAINS IS CONFIDENTIAL. IT MUST NOT BE REPRODUCED, OR COPIED, OR USED FOR ANY OTHER PURPOSE WITHOUT THE WRITTEN PERMISSION OF KEE SAFETY.

REVISIONS	
0	FIRST ISSUE



Kee Safety, Inc.  
100 Stradman Street  
Buffalo, NY 14206  
Tel: (716) 896-4949  
Fax: (716) 896-5696  
Toll Free: (800) 851-5181  
www.keesafety.com  
Email: info@keesafety.com

SOLD TO: \_\_\_\_\_

END USER: \_\_\_\_\_

INSTALL ADDRESS: \_\_\_\_\_

TITLE: SAP-S-1-NS-8			
SCALE: N/A	DATE:	DRAWN: AWK	CHECKED: AL
PAGE NO: PG6	DRAWING NO: STAIR BOM	REVISION:	

4

3

2

1

4

3

2

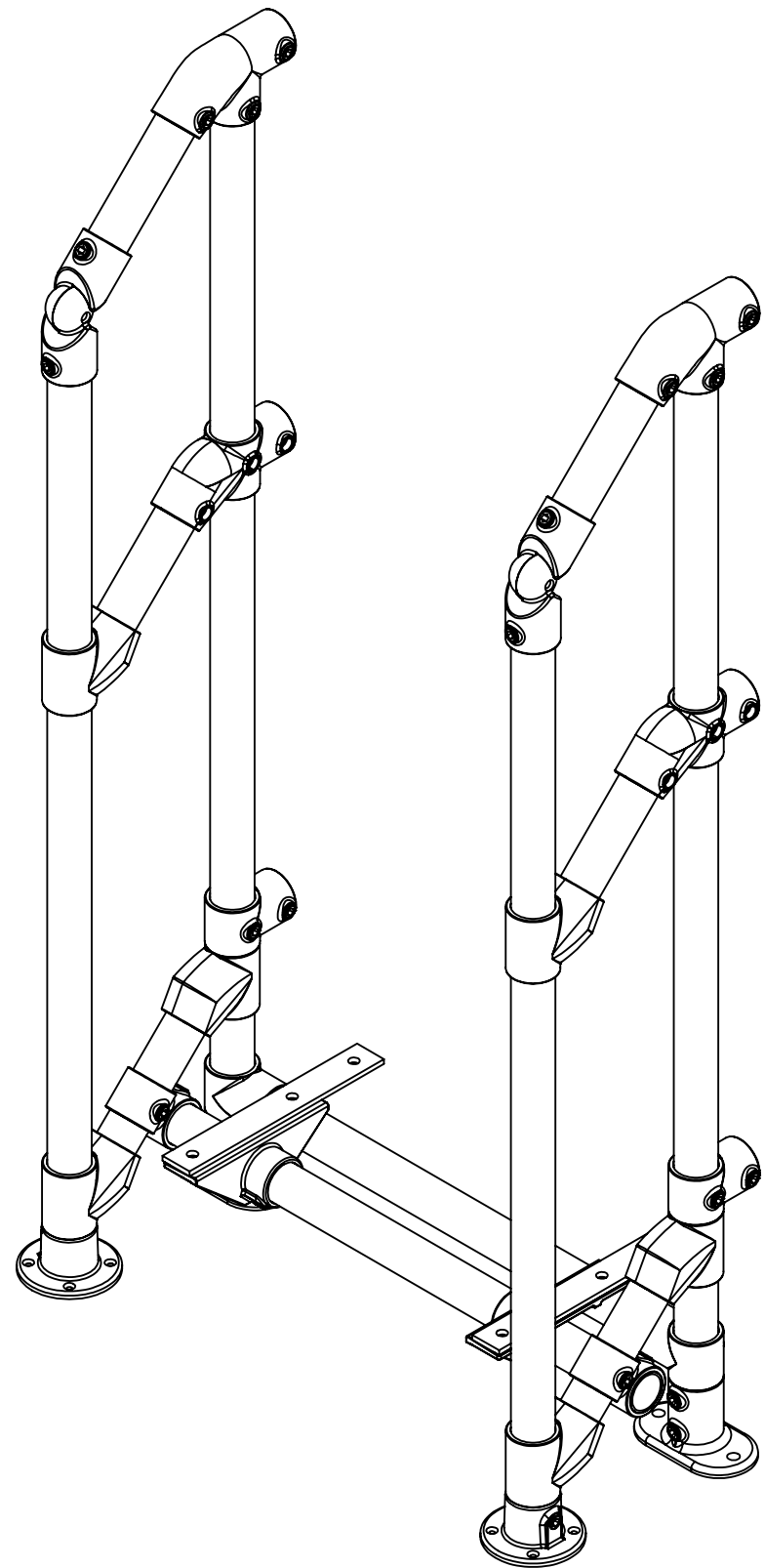
1

B

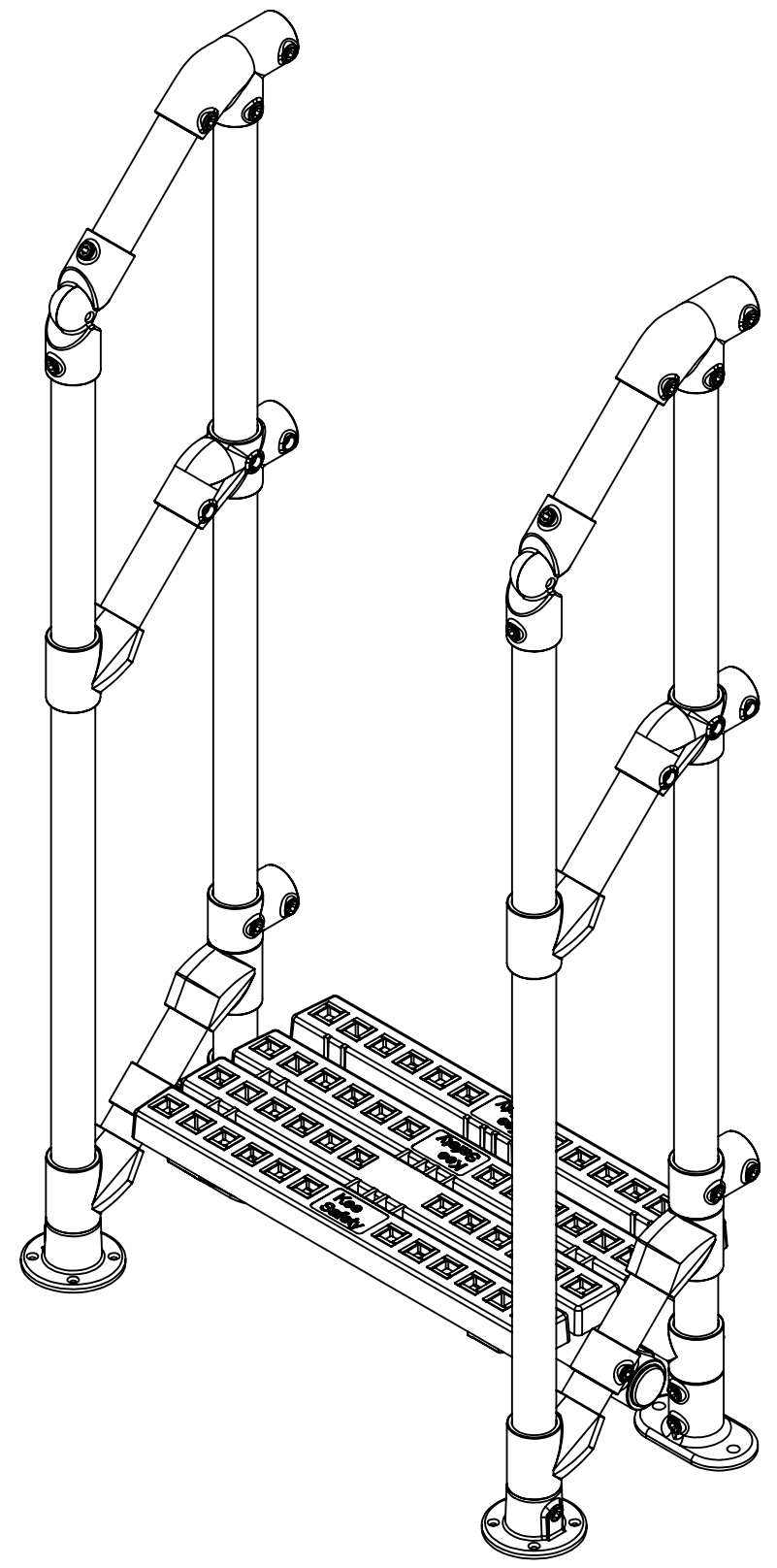
B

A

A



1 STEP ASSEMBLY - 3  
NOT TO SCALE



1 STEP ASSEMBLY - 4  
NOT TO SCALE

**CONFIDENTIAL:**  
THIS DRAWING AND THE INFORMATION IT CONTAINS IS CONFIDENTIAL. IT MUST NOT BE REPRODUCED, OR COPIED, OR USED FOR ANY OTHER PURPOSE WITHOUT THE WRITTEN PERMISSION OF KEE SAFETY.

REVISIONS	DATE	BY	DESCRIPTION
0			FIRST ISSUE

**Kee Safety**  
Kee Safety, Inc.  
100 Stradman Street  
Buffalo, NY 14206  
Tel: (716) 896-4949  
Fax: (716) 896-5696  
Toll Free: (800) 851-5181  
www.keesafety.com  
Email: info@keesafety.com

SOLD TO: \_\_\_\_\_

END USER: \_\_\_\_\_

INSTALL ADDRESS: \_\_\_\_\_

TITLE: **SAP-S-1-NS-8**

SCALE: N/A	DATE:	DRAWN: AWK	CHECKED: AL
PAGE NO: PG7	DRAWING NO: STAIR BOM	REVISION:	

4

3

2

1