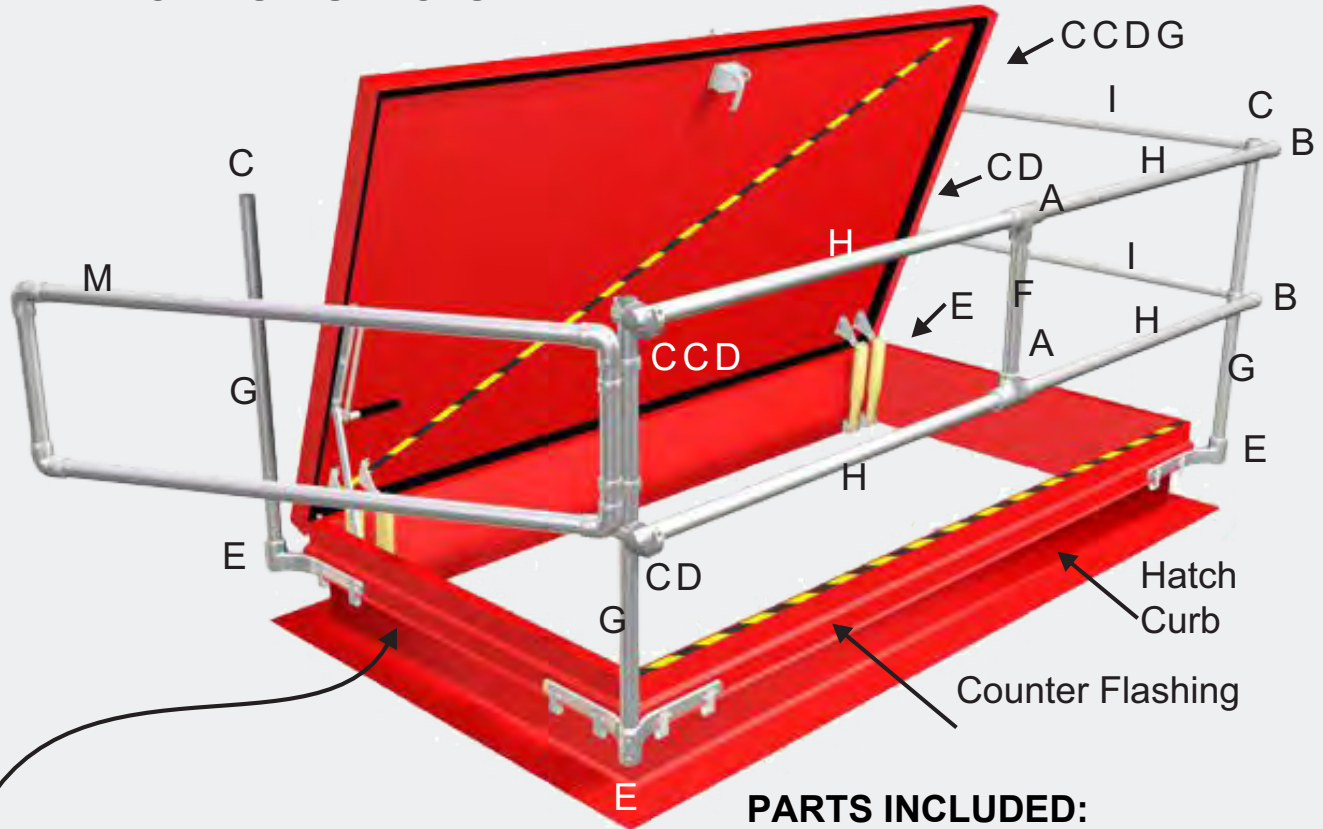




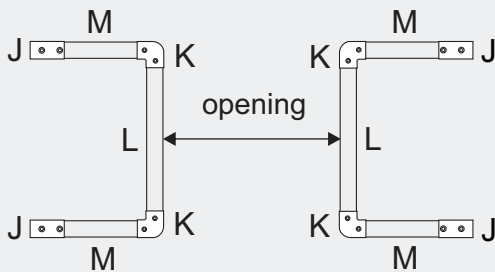
KEE HATCH® MIGHTY-LITE™ RAILING MODEL KHML-FB 4896

INSTALLATION INSTRUCTIONS



PARTS INCLUDED:

D Returns - Used to close the opening at the gate. Use one side or both sides, cut M to fit. Gap should be no more than 36". Either 1 or 2 D's are included, depending on the opening size.



	#Q	Item	Description
A	2	L25-7	Three Socket Tee
B	2	121-7	Corner Crossover
C	8	133C	Plastic Plug
D	4	L135-77	Clamp On Crossover
E	4	L161-7	Corner Bracket
F	1	KHL19 1/2	Pipe
G	4	KHL42	Pipe
H	4	KHL52	Pipe
I	2	KHL56	Pipe
J	16	KH Fastclip	
K	16	Fasteners	3/8 X 1 1/4" Full Thd. SS Hex Hd 18-8
L	1	12585	Fold Up Set, 5/32"-3/8"
M	1	Self Closing Gate	
N	2 or 4	L10-7	Single Socket Tee
O	2 or 4	L15-7	90 Degree Elbow
P	1 or 2	19 1/2"	Pipe
Q	2 or 4	12"	Pipe

Kee Safety
100 Stratdman St.
Buffalo, NY 14206
keesafety.com



KEE HATCH® MIGHTY-LITE™ RAILING MODEL KHML-FB 4896

INSTALLATION INSTRUCTIONS

There are two methods of installing our Kee Hatch Railing System:

1. Mounting on the counter flashing.
2. Mounting on the hatch curb.

We strongly recommend mounting on the counter flashing to avoid roof penetrations in the hatch curb.

1. Mounting on the Roof Hatch Counter Flashing (please refer to drawing on page 1)	
STEP 1	Hold Corner Bracket (E) tight to corner of counter flashing.
STEP 2	Mark one hole closest to corner, remove bracket and drill a 7/16" hole (titanium bits work best).
STEP 3	Replace Corner Bracket and bolt using a Fastclip, loosely tighten.
STEP 4	Insert post (G) into corner bracket, plumb side to side, drill outside hole, Bolt bracket to counter flashing using Fastclips, snugly tighten both bolts.
STEP 5	Plumb post (G) in the opposite direction, drill outside and inside holes, bolt using Fastclips. Tighten all Fastclips.
STEP 6	Repeat for all Corner Brackets.
STEP 7	Install top & mid railings (H & I) and mid post (F) as shown in diagram keeping top Railing at least 42" above roof surface and positioning mid railing halfway between the top rail and the top of the hatch curb, level rails, cut off excess top and mid Railing close to fittings.
STEP 9	Install D returns as instructed in diagram.
STEP 10	Torque all fitting set screws to 29-foot pounds.
STEP 11	Install Self Closing Gate (M) per instructions in gate box, adjust gate tension.
STEP 12	Check roof hatch for proper unobstructed closing.



KEE HATCH® MIGHTY-LITE™ RAILING MODEL KHML-FB 4896

INSTALLATION INSTRUCTIONS

2. Mounting on Roof Hatch Curb (please refer to drawing on page 1)

Abide by industry standards for mounting, fastening and sealing Corner and Side Brackets.

STEP 1	Hold Corner Bracket (E) tight to corner of hatch curb.
STEP 2	Mark one hole closest to corner, remove bracket and drill a 7/16" hole (titanium bits work best).
STEP 3	Place roof sealant on inside of bracket, replace corner bracket, run bolt with fender and lock washer thru inside of curb, loosely bolt bracket to curb.
STEP 4	Insert post (G) into corner bracket, plumb side to side, drill outside hole, run bolt thru inside of curb with fender washer and lock washer, tighten both bolts.
STEP 5	Plumb post (G) in opposite direction, drill outside and inside holes, run bolts thru inside of curb with fender washers and lock washers, snugly tighten both bolts
STEP 6	Repeat for all Corner Brackets.
STEP 7	Install top & mid rails (H & I) and mid post (F) as shown in diagram keeping top rail at least 42" above roof surface and positioning mid rail halfway between the top rail and the top of the hatch curb. Level rails, cut off excess top and mid rails close to fittings.
STEP 8	Install D returns as instructed in diagram.
STEP 9	Torque all fitting set screws to 29-foot pounds.
STEP 10	Install Self Closing Gate (M) per instructions in gate box, adjust gate tension.
STEP 11	Cut off all bolt ends to the nuts. File or grind burrs on bolt ends. Caulk over nuts.
STEP 12	Check roof hatch for proper unobstructed closing.