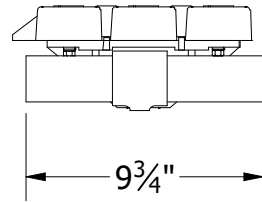
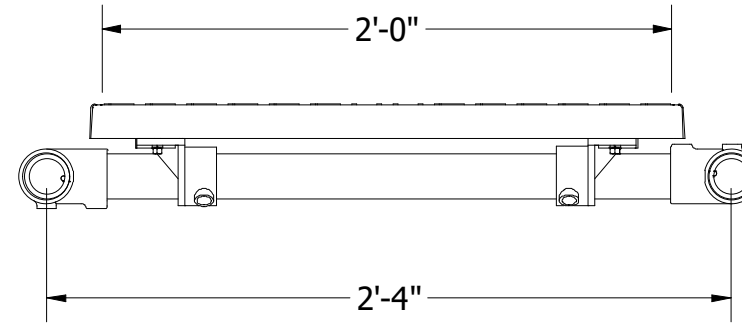


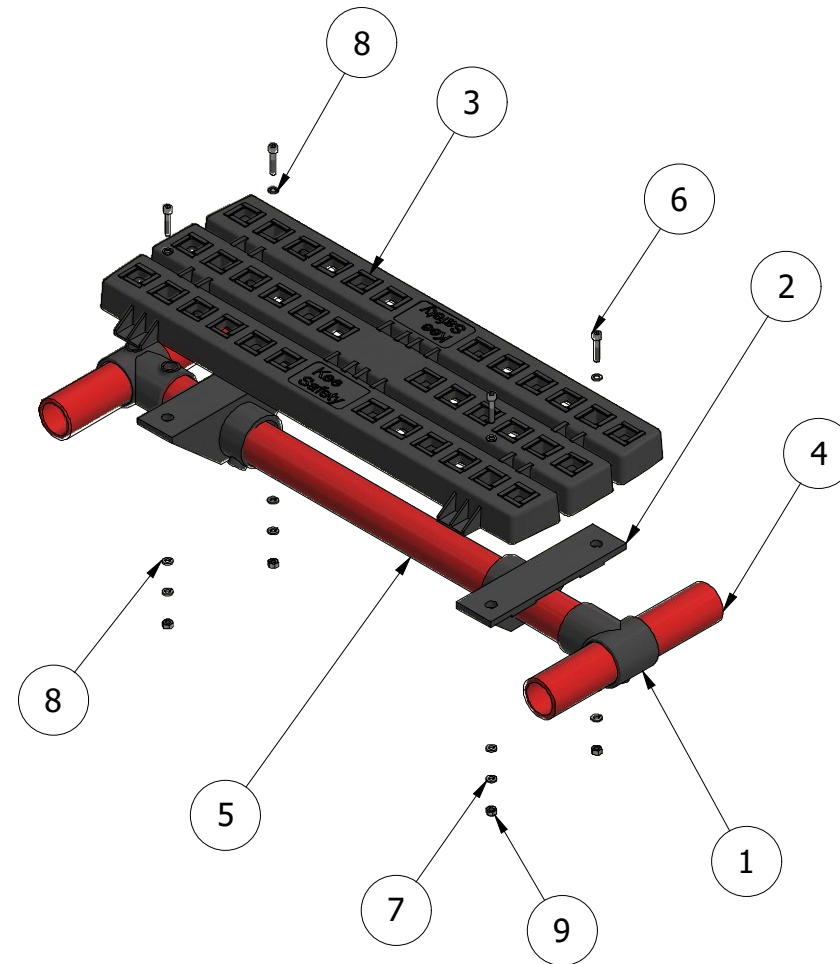
NO	FITTING DETAIL	QTY
1	10-8	2
2	72-8	2
3	WW1000040	1
4	1-1/2" TUBE @ 9 3/4"	6
5	1-1/2" TUBE @ 26"	1
6	M6 X 30MM CAP SCREW SS	4
7	M6 LOCK WASHER SS	4
8	M6 FENDER WASHER SS	8
9	M6 NUT SS	4



① SIDE ELEVATION VIEW



② FRONT ELEVATION VIEW



③ ISOMETRIC VIEW

CONFIDENTIAL:
THIS DRAWING AND THE INFORMATION IT CONTAINS IS CONFIDENTIAL. IT MUST NOT BE REPRODUCED, OR COPIED, OR USED FOR ANY PURPOSE WITHOUT THE WRITTEN PERMISSION OF KEE SAFETY, INC

0	FIRST ISSUE	ASL	DATE
REV	DESCRIPTION	BY	DATE

STATUS: REVISIONS



Kee Safety Inc.
100 Stradtman Street
Buffalo, NY 14206
Tel: (716) 896 4949
Fax: (716) 896 5696
Toll Free: (800) 851 5181
www.keesafety.com
Email: info@keesafety.com

CUSTOMER:

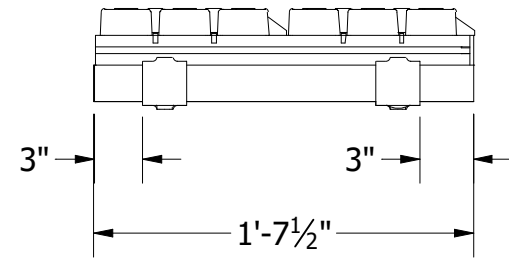
END USER:

ADDRESS:

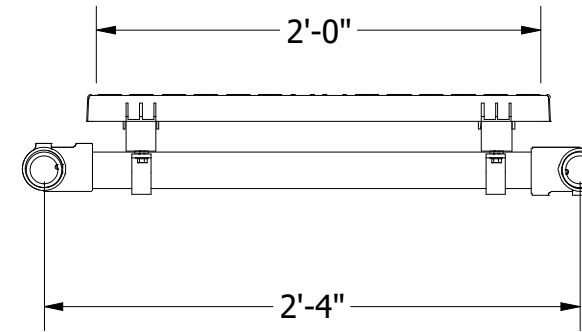
TITLE: SAP-B-1-NS

SCALE:	DATE:	DRAWN:	CHECKED:
NONE		ASL	PB
	DRAWING NO:		REVISION:
			0

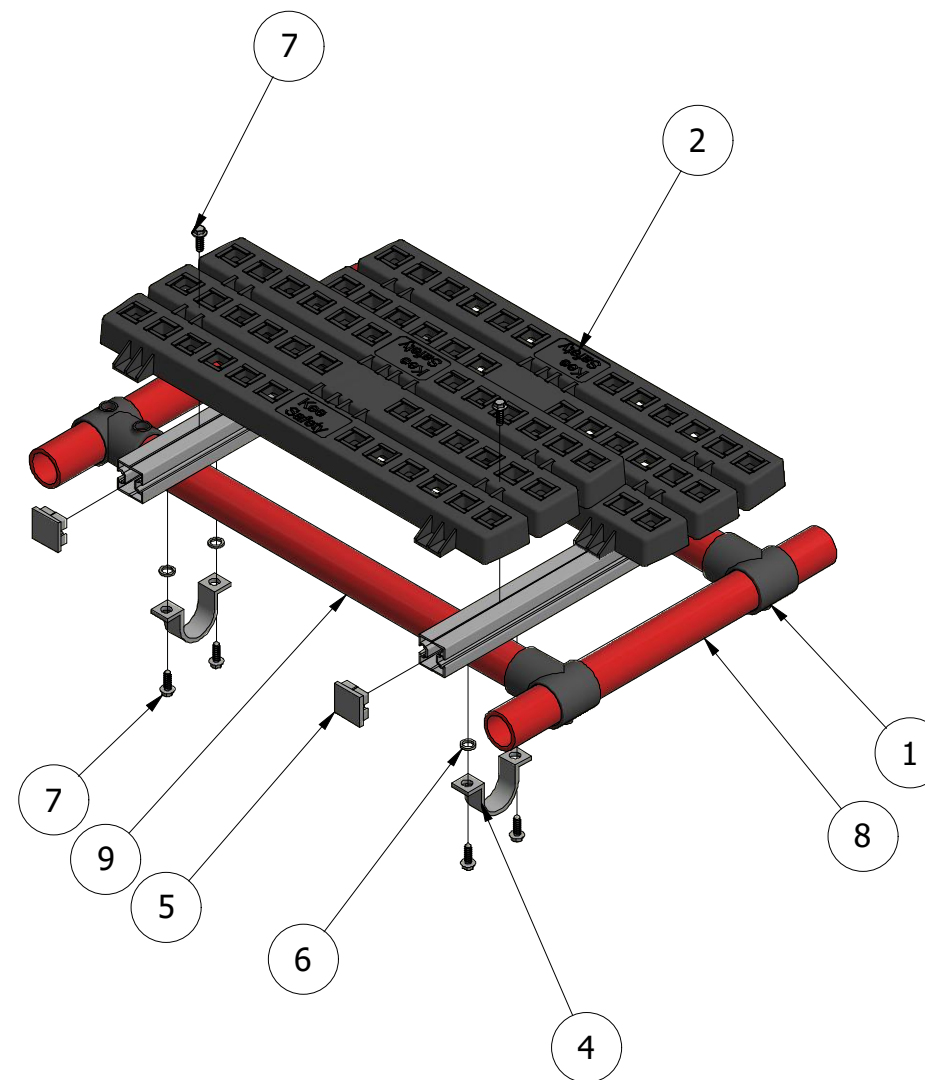
NO	FITTING DETAIL	QTY
1	10-8	4
2	WW1000040	2
3	WW4040030 @ 19 ⁵ / ₈ "	2
4	1-1/2" ALUM. U BRK.	4
5	WW16258CP	4
6	3/8 FENDER WASHER	8
7	WW6.3 X 25MM SCREW	12
8	1-1/2" TUBE @ 19 ¹ / ₂ "	6
9	1-1/2" TUBE @ 26"	2



① SIDE ELEVATION VIEW



② FRONT ELEVATION VIEW



③ ISOMETRIC VIEW

CONFIDENTIAL:
THIS DRAWING AND THE INFORMATION IT CONTAINS IS CONFIDENTIAL. IT MUST NOT BE REPRODUCED, OR COPIED, OR USED FOR ANY PURPOSE WITHOUT THE WRITTEN PERMISSION OF KEE SAFETY, INC

0	FIRST ISSUE	ASL	DATE
REV	DESCRIPTION	BY	DATE

STATUS: REVISIONS



Kee Safety Inc.
100 Stradtman Street
Buffalo, NY 14206
Tel: (716) 896 4949
Fax: (716) 896 5696
Toll Free: (800) 851 5181
www.keesafety.com
Email: info@keesafety.com

CUSTOMER:

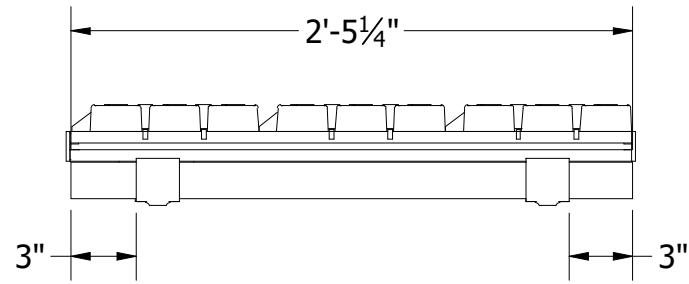
END USER:

ADDRESS:

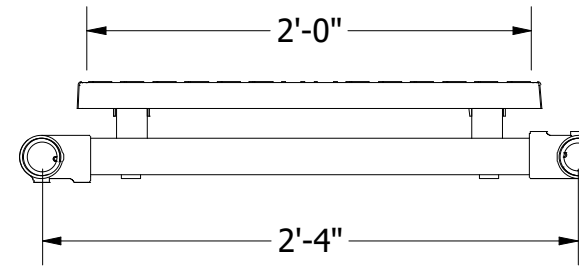
TITLE:
SAP-B-2-NS

SCALE:	DATE:	DRAWN:	CHECKED:
NONE		ASL	PB
	DRAWING NO:		REVISION:
			0

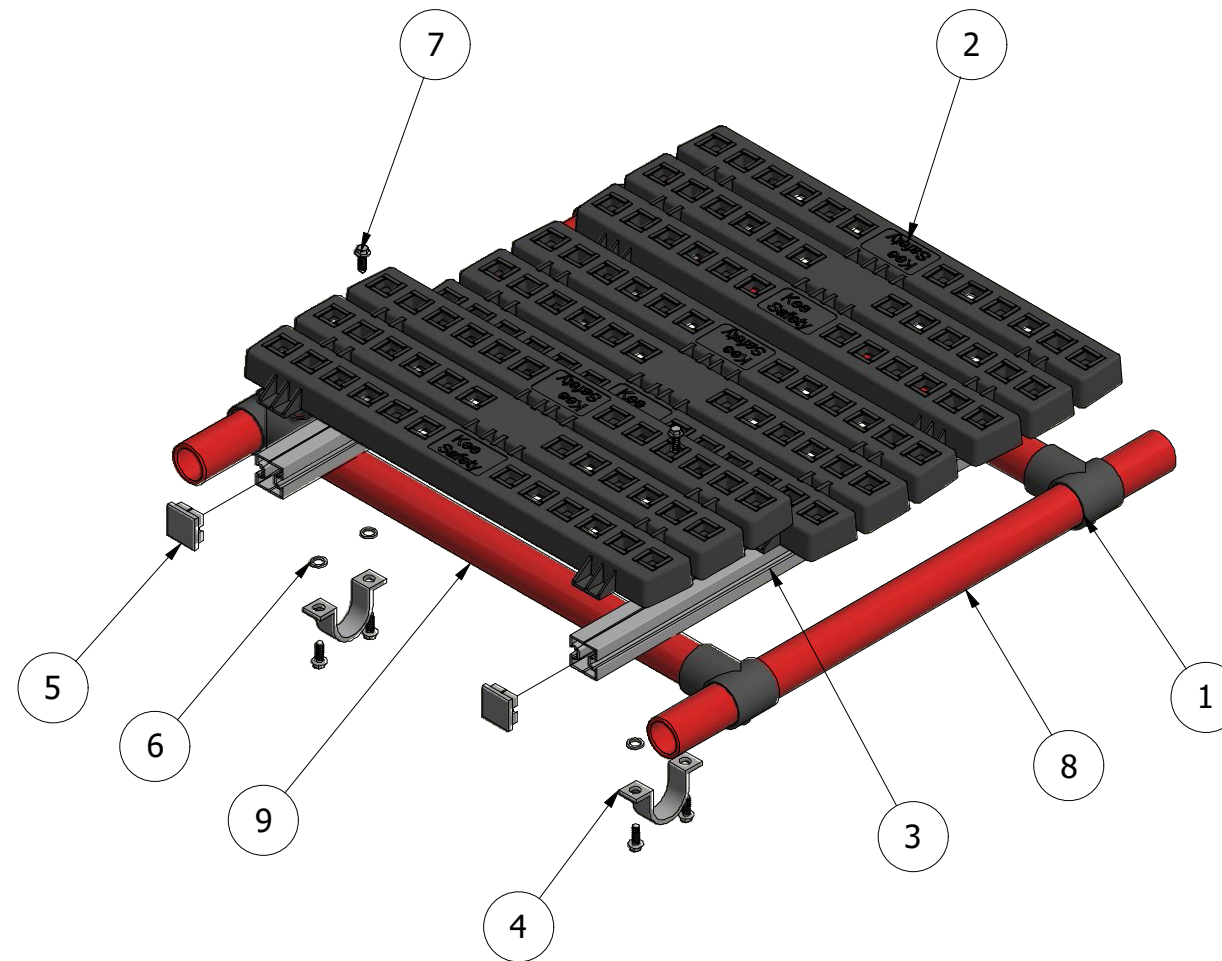
NO	FITTING DETAIL	QTY
1	10-8	4
2	WW1000040	3
3	WW4040030 @ 29 $\frac{3}{8}$ "	2
4	1-1/2" ALUM. U BRK.	4
5	WW16258CP	4
6	$\frac{3}{8}$ " FENDER WASHER	8
7	WW6.3 X 25MM SCREW	14
8	1-1/2" TUBE @ 29 $\frac{1}{4}$ "	6
9	1-1/2" TUBE @ 26"	2



1 SIDE ELEVATION VIEW



2 FRONT ELEVATION VIEW



3 ISOMETRIC VIEW

CONFIDENTIAL:
THIS DRAWING AND THE INFORMATION IT CONTAINS IS CONFIDENTIAL. IT MUST NOT BE REPRODUCED, OR COPIED, OR USED FOR ANY PURPOSE WITHOUT THE WRITTEN PERMISSION OF KEE SAFETY, INC

0	FIRST ISSUE	ASL	DATE
REV	DESCRIPTION	BY	DATE

STATUS: REVISIONS



Kee Safety Inc.
100 Stradman Street
Buffalo, NY 14206
Tel: (716) 896 4949
Fax: (716) 896 5696
Toll Free: (800) 851 5181
www.keesafety.com
Email: info@keesafety.com

CUSTOMER:

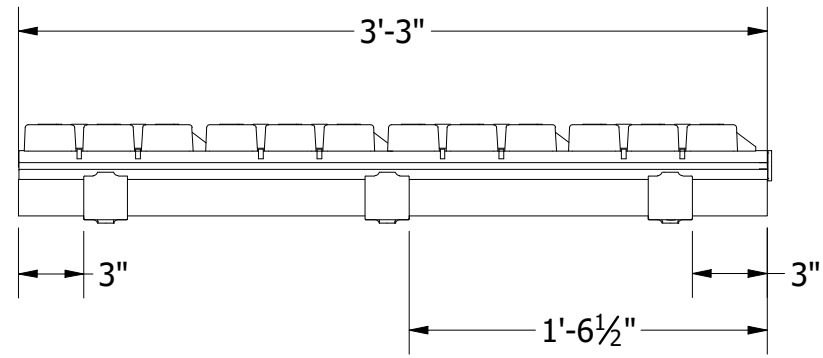
END USER:

ADDRESS:

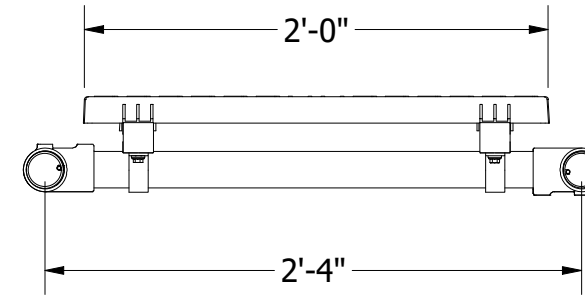
TITLE: SAP-B-3-NS

SCALE:	DATE:	DRAWN:	CHECKED:
NONE		ASL	PB
	DRAWING NO:		REVISION:
			0

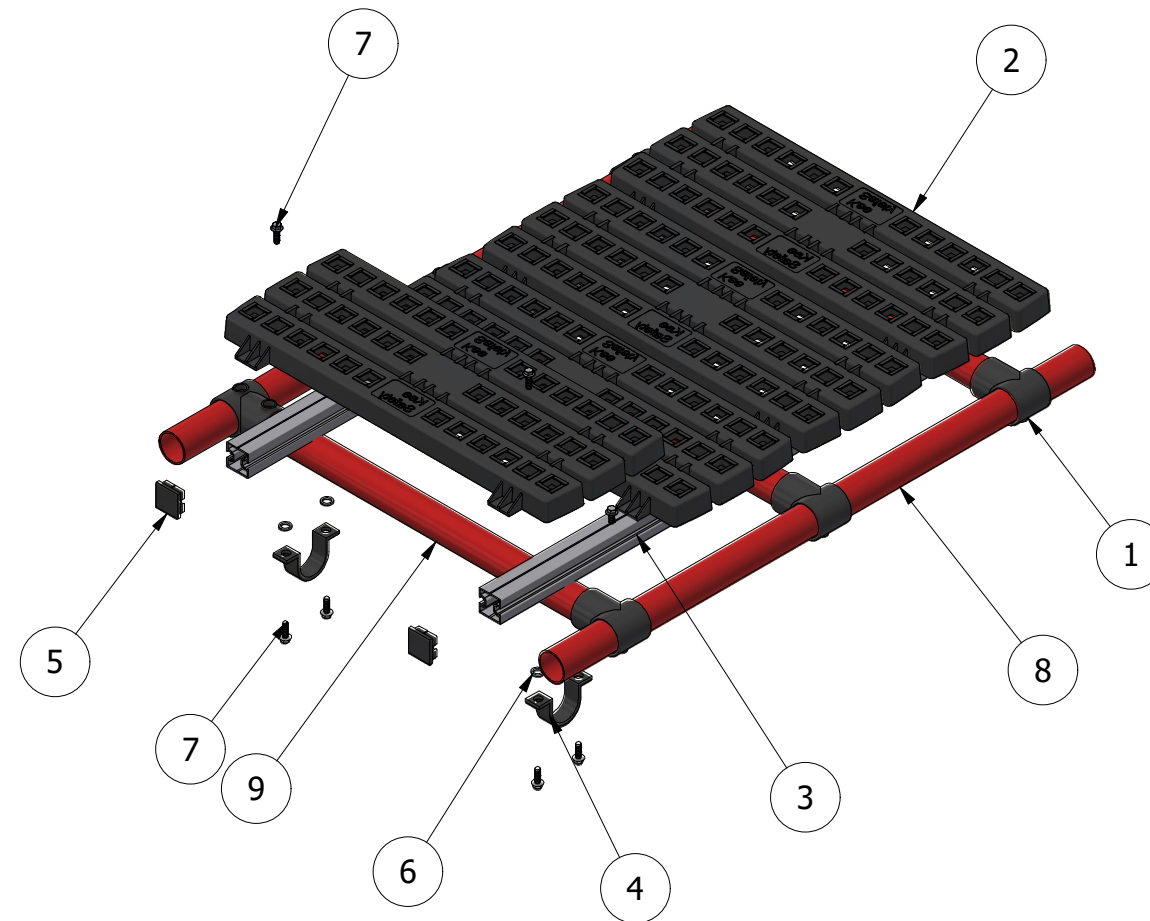
NO	FITTING DETAIL	QTY
1	10-8	6
2	WW1000040	4
3	WW4040030 @ 39 $\frac{1}{8}$ "	2
4	1-1/2" ALUM. U BRK.	6
5	WW16258CP	4
6	$\frac{3}{8}$ " FENDER WASHER	12
7	WW6.3 X 25MM SCREW	20
8	1-1/2" TUBE @ 39"	6
9	1-1/2" TUBE @ 26"	3



① SIDE ELEVATION VIEW



② FRONT ELEVATION VIEW



③ ISOMETRIC VIEW

CONFIDENTIAL:
THIS DRAWING AND THE INFORMATION IT CONTAINS IS CONFIDENTIAL. IT MUST NOT BE REPRODUCED, OR COPIED, OR USED FOR ANY PURPOSE WITHOUT THE WRITTEN PERMISSION OF KEE SAFETY, INC

REV	DESCRIPTION	BY	DATE
0	FIRST ISSUE	ASL	

STATUS: REVISIONS



Kee Safety Inc.
100 Stradman Street
Buffalo, NY 14206
Tel: (716) 896 4949
Fax: (716) 896 5696
Toll Free: (800) 851 5181
www.keesafety.com
Email: info@keesafety.com

CUSTOMER:

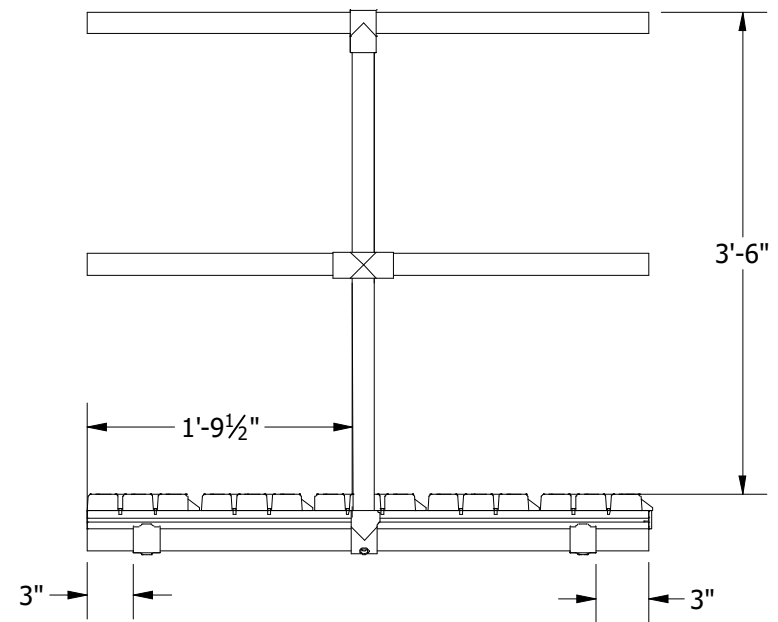
END USER:

ADDRESS:

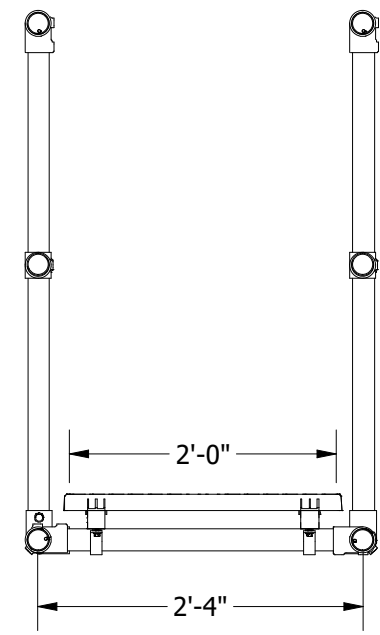
TITLE: SAP-B-4-NS

SCALE:	DATE:	DRAWN:	CHECKED:
NONE		ASL	PB
	DRAWING NO:		REVISION:
			0

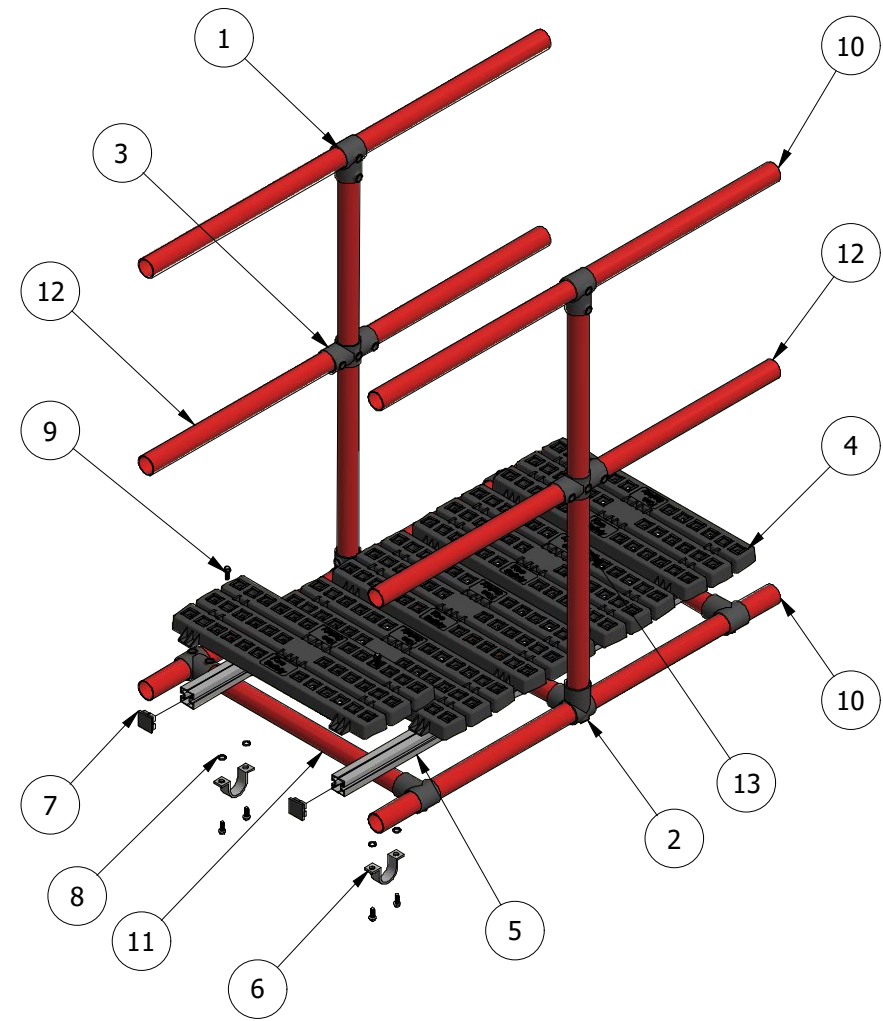
NO	FITTING DETAIL	QTY
1	10-8	6
2	21-8	2
3	26-8	2
4	WW1000040	5
5	WW4040030 @ 48 ⁷ / ₈ "	2
6	1-1/2" ALUM. U BRK.	6
7	WW16258CP	4
8	3/8 FENDER WASHER	12
9	WW6.3 X 25MM SCREW	22
10	1-1/2" TUBE @ 48 ³ / ₄ "	4
11	1-1/2" TUBE @ 26"	3
12	1-1/2" TUBE @ 22 ³ / ₈ "	4
13	1-1/2" TUBE @ 42 ³ / ₄ "	2



① SIDE ELEVATION VIEW



② FRONT ELEVATION VIEW



③ ISOMETRIC VIEW

CONFIDENTIAL:
THIS DRAWING AND THE INFORMATION IT CONTAINS IS CONFIDENTIAL. IT MUST NOT BE REPRODUCED, OR COPIED, OR USED FOR ANY PURPOSE WITHOUT THE WRITTEN PERMISSION OF KEE SAFETY, INC

0	FIRST ISSUE	ASL	DATE
REV	DESCRIPTION	BY	DATE
STATUS: REVISIONS			

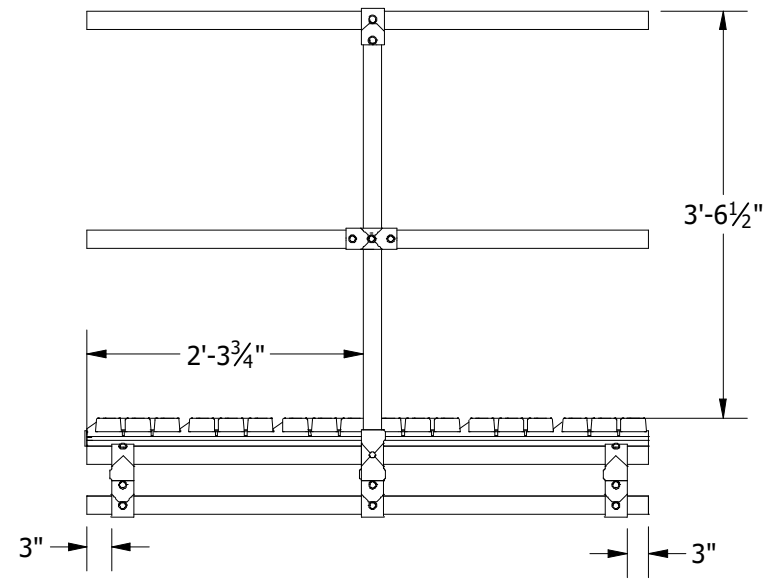
Kee Safety
Kee Safety Inc.
100 Stradman Street
Buffalo, NY 14206
Tel: (716) 896 4949
Fax: (716) 896 5696
Toll Free: (800) 851 5181
www.keesafety.com
Email: info@keesafety.com

CUSTOMER:
END USER:
ADDRESS:

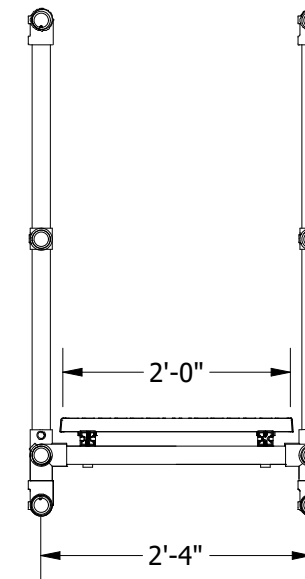
TITLE:
SAP-B-5-NS

SCALE:	DATE:	DRAWN:	CHECKED:
NONE		ASL	PB
	DRAWING NO:		REVISION:
			0

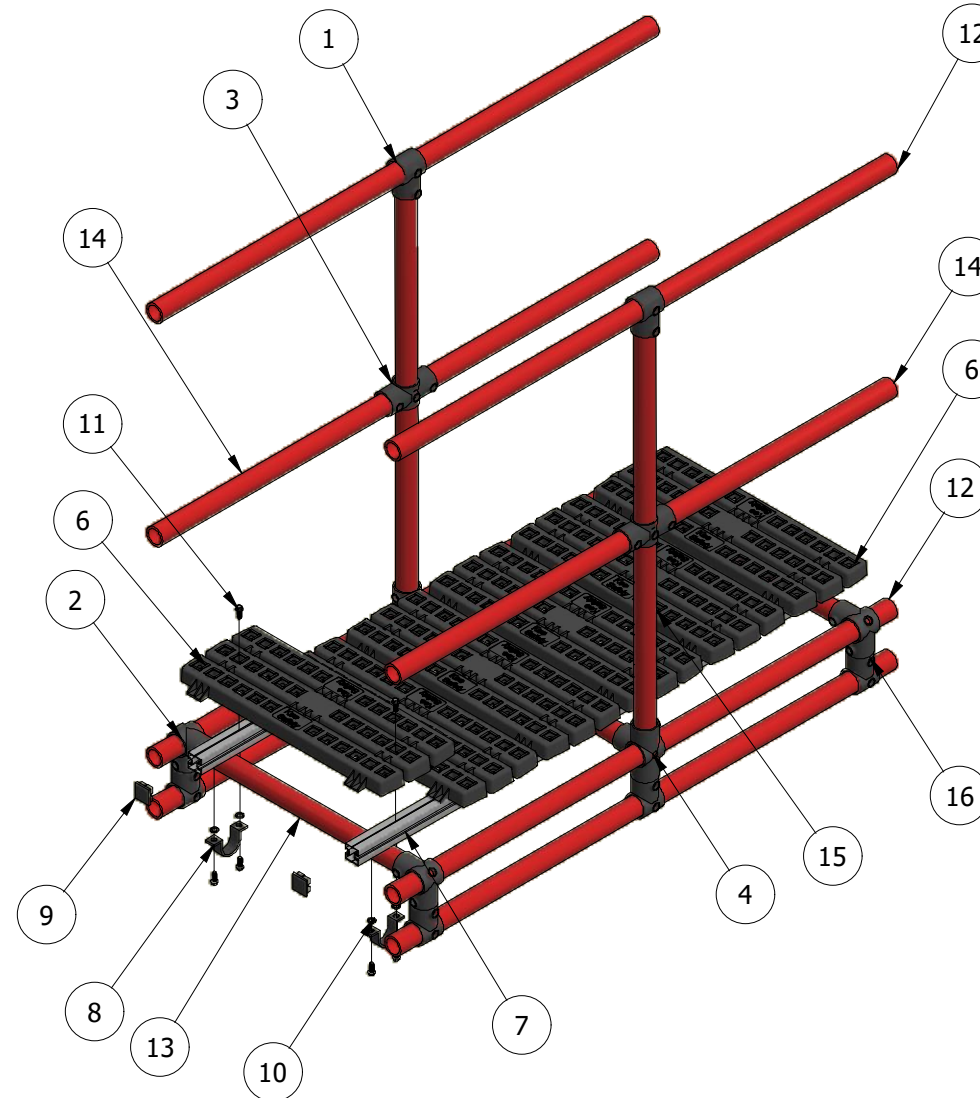
NO	FITTING DETAIL	QTY
1	10-8	8
2	21-8	4
3	26-8	2
4	35-8	2
5	A10-8	4
6	WW1000040	6
7	WW4040030 @ 59 ⁵ / ₈ "	2
8	1-1/2" ALUM. U BRK.	6
9	WW16258CP	4
10	3/8 FENDER WASHER	12
11	WW6.3 X 25MM SCREW	24
12	1-1/2" TUBE @ 59 ¹ / ₂ "	6
13	1-1/2" TUBE @ 26"	3
14	1-1/2" TUBE @ 27 ³ / ₄ "	4
15	1-1/2" TUBE @ 42 ³ / ₄ "	2
16	1-1/2" TUBE @ 3 ³ / ₄ "	6



① SIDE ELEVATION VIEW



② FRONT ELEVATION VIEW



③ ISOMETRIC VIEW

CONFIDENTIAL:
THIS DRAWING AND THE INFORMATION IT CONTAINS IS CONFIDENTIAL. IT MUST NOT BE REPRODUCED, OR COPIED, OR USED FOR ANY PURPOSE WITHOUT THE WRITTEN PERMISSION OF KEE SAFETY, INC

0	FIRST ISSUE	ASL	DATE
REV	DESCRIPTION	BY	DATE

STATUS: REVISIONS



Kee Safety Inc.
100 Stradtman Street
Buffalo, NY 14206
Tel: (716) 896 4949
Fax: (716) 896 5696
Toll Free: (800) 851 5181
www.keesafety.com
Email: info@keesafety.com

CUSTOMER: _____

END USER: _____

ADDRESS: _____

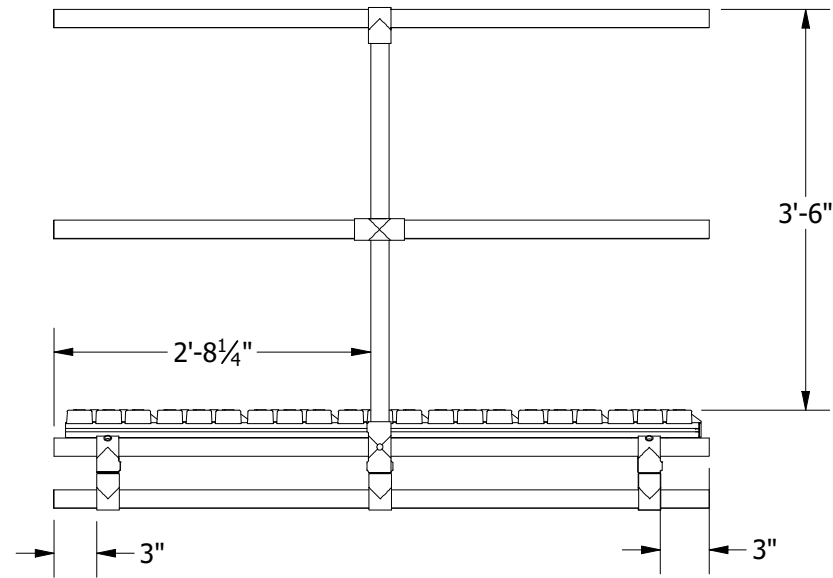
TITLE: _____

SAP-B-6-NS

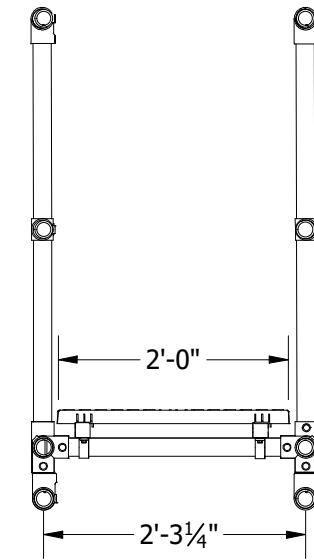
SCALE:	DATE:	DRAWN:	CHECKED:
NONE		ASL	PB
	DRAWING NO:		REVISION:
			0

CONFIDENTIAL:
 THIS DRAWING AND THE INFORMATION IT CONTAINS
 IS CONFIDENTIAL. IT MUST NOT BE REPRODUCED, OR
 COPIED, OR USED FOR ANY PURPOSE WITHOUT THE
 WRITTEN PERMISSION OF KEE SAFETY, INC

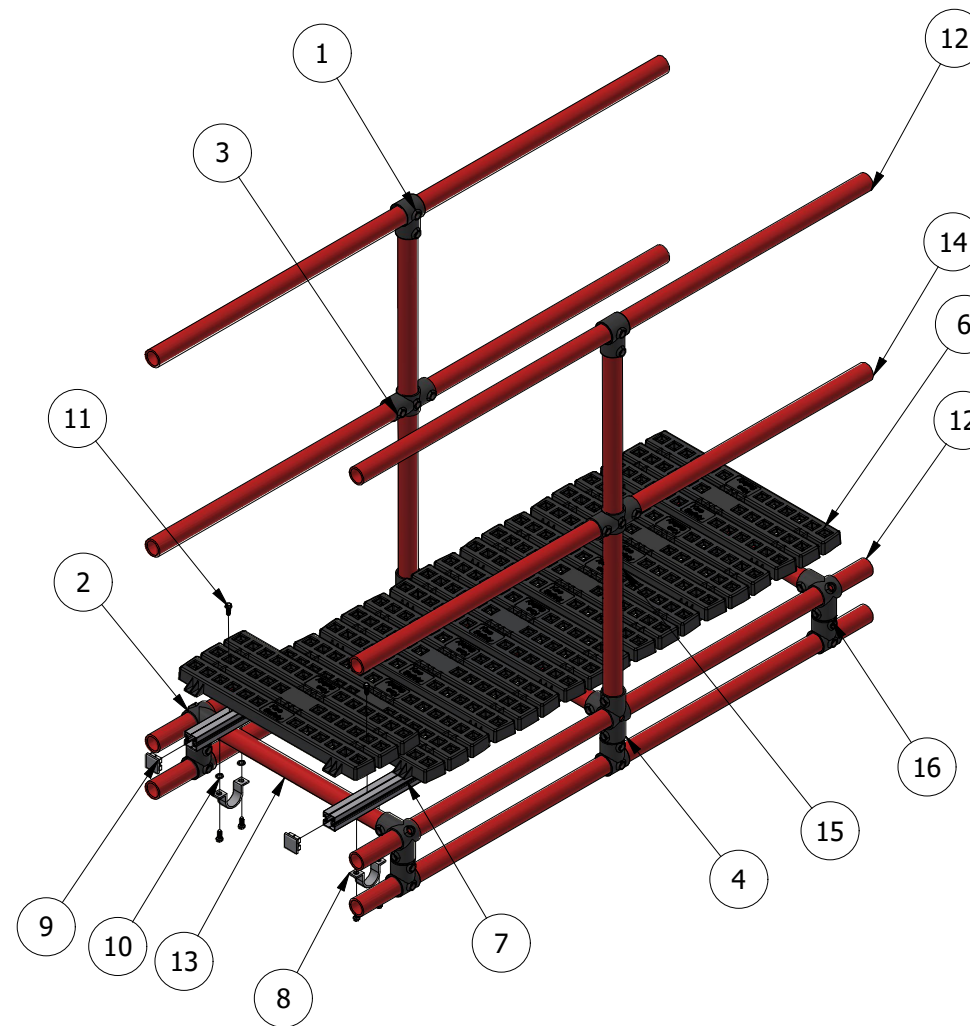
NO	FITTING DETAIL	QTY
1	10-8	8
2	21-8	4
3	26-8	2
4	35-8	2
5	A10-8	4
6	WW1000040	7
7	WW4040030 @ 68 ³ / ₈ "	2
8	1-1/2" ALUM. U BRK.	6
9	WW16258CP	4
10	³ / ₈ FENDER WASHER	12
11	WW6.3 X 25MM SCREW	26
12	1-1/2" TUBE @ 68 ¹ / ₄ "	6
13	1-1/2" TUBE @ 26"	3
14	1-1/2" TUBE @ 33 ¹ / ₈ "	4
15	1-1/2" TUBE @ 42 ³ / ₄ "	2
16	1-1/2" TUBE @ 3 ³ / ₄ "	6



① SIDE ELEVATION VIEW



② FRONT ELEVATION VIEW



③ ISOMETRIC VIEW

0	FIRST ISSUE	ASL	
REV	DESCRIPTION	BY	DATE
STATUS: REVISIONS			



Kee Safety Inc.
 100 Stradman Street
 Buffalo, NY 14206
 Tel: (716) 896 4949
 Fax: (716) 896 5696
 Toll Free: (800) 851 5181
 www.keesafety.com
 Email: info@keesafety.com

CUSTOMER:
 END USER:
 ADDRESS:

TITLE:
 SAP-B-7-NS

SCALE:	DATE:	DRAWN:	CHECKED:
NONE		ASL	PB
	DRAWING NO:		REVISION:
			0