

4

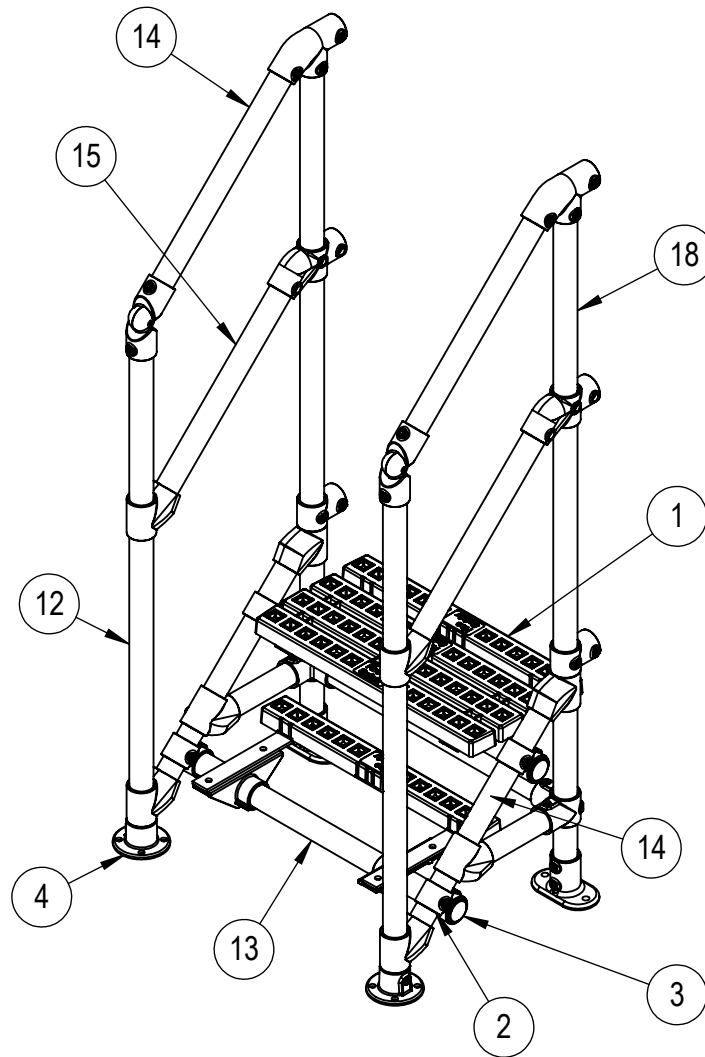
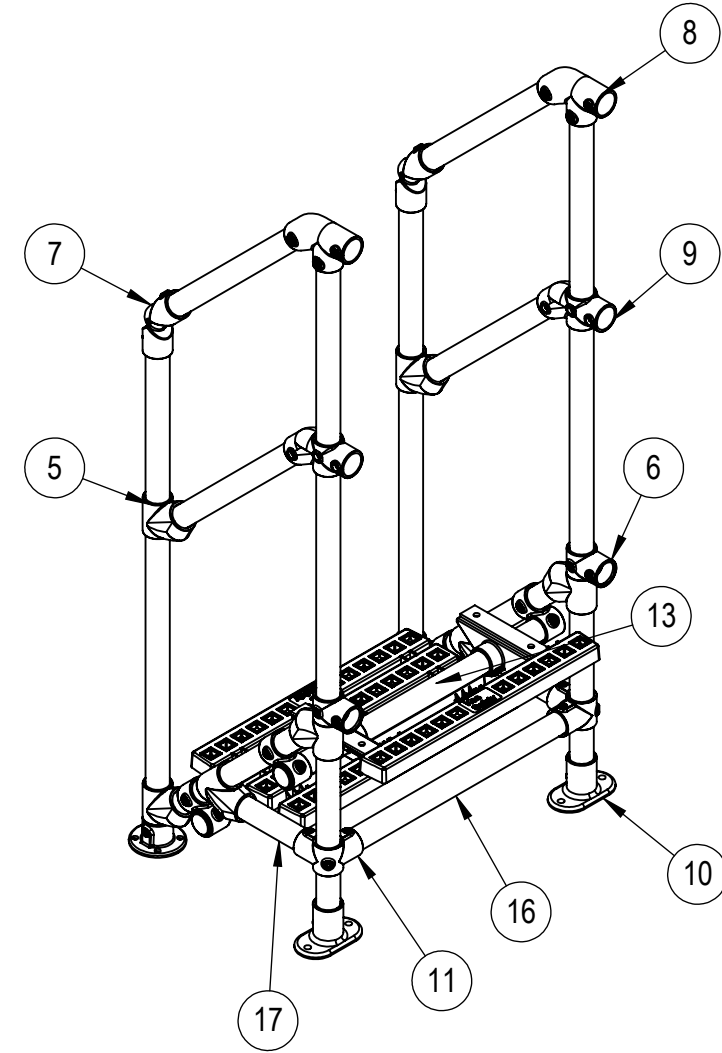
3

2

1

ITEM NO.	PART NO.	DESCRIPTION	QTY.
1	SAP-STEP		2
2	45-8		4
3	133D		4
4	61-8		2
5	29-8		8
6	10-8		2
7	BC53-88		2
8	325-8		2
9	326-8		2
10	62-8		2
11	21-8		2
12	G150GS12GA	48-1/8"	2
13	G150GS12GA	30"	2
14	G150GS12GA	21 7/8"	4
15	G150GS12GA	21-1/8"	2
16	G150GS12GA	26"	1
17	G150GS12GA	9-3/8"	2
18	G150GS12GA	65-7/8"	2

CONFIDENTIAL:
 THIS DRAWING AND THE INFORMATION IT CONTAINS IS CONFIDENTIAL. IT MUST NOT BE REPRODUCED, OR COPIED, OR USED FOR ANY OTHER PURPOSE WITHOUT THE WRITTEN PERMISSION OF KEE SAFETY.



REV	DESCRIPTION	DATE
0	FIRST ISSUE	
REVISIONS		

Kee Safety
 Kee Safety, Inc.
 100 Stradman Street
 Buffalo, NY 14206
 Tel: (716) 896-4949
 Fax: (716) 896-5696
 Toll Free: (800) 851-5181
 www.keesafety.com
 Email: info@keesafety.com

SOLD TO: _____
 END USER: _____
 INSTALL ADDRESS: _____

TITLE: **SAP-S-2-NS-8**

SCALE: N/A	DATE:	DRAWN: AWK	CHECKED: AL
PAGE NO: PG1	DRAWING NO: STAIR BOM	REVISION:	

4

3

2

1

B

B

A

A

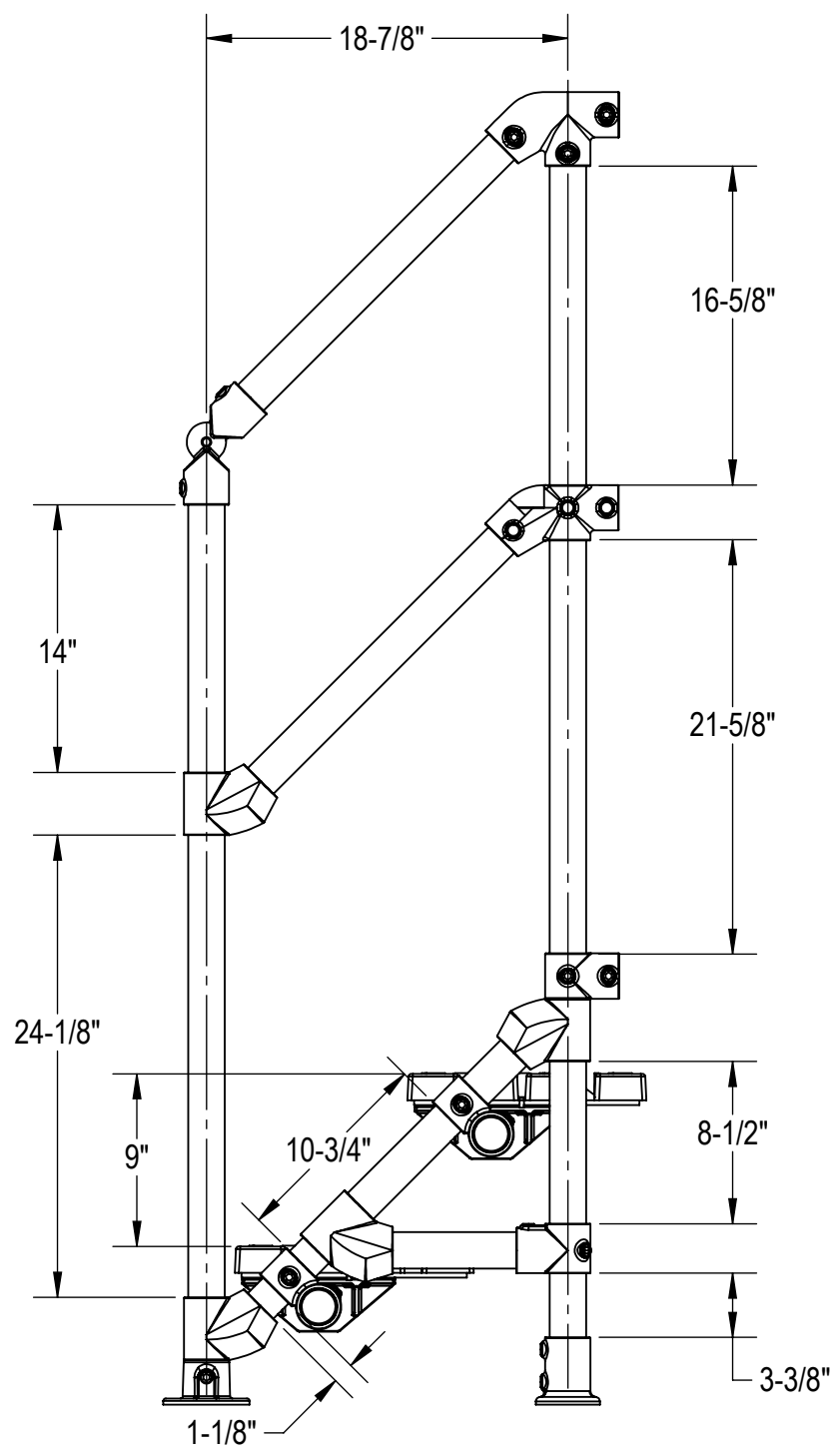
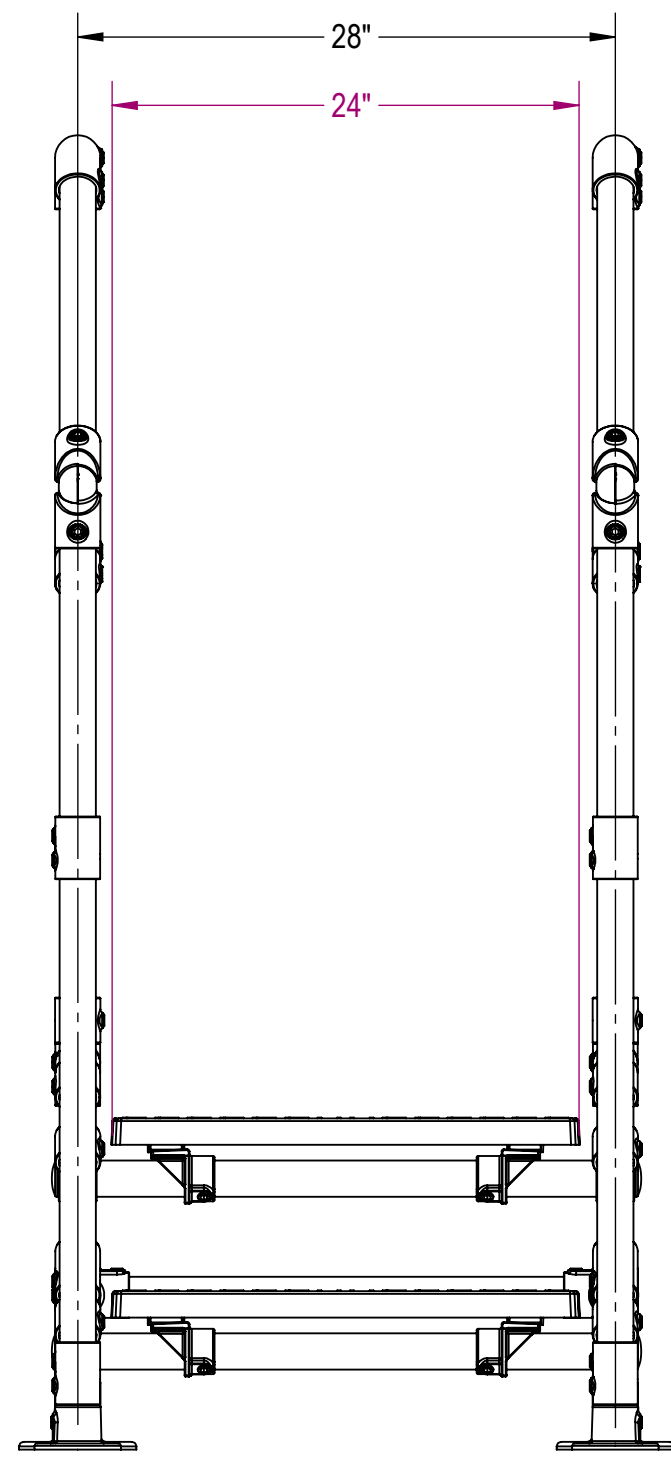
4

3

2

1

CONFIDENTIAL:
 THIS DRAWING AND THE INFORMATION IT CONTAINS IS CONFIDENTIAL. IT MUST NOT BE REPRODUCED, OR COPIED, OR USED FOR ANY OTHER PURPOSE WITHOUT THE WRITTEN PERMISSION OF KEE SAFETY.



NO.	DESCRIPTION	DATE
0	FIRST ISSUE	
REVISIONS		

Kee Safety, Inc.
 100 Stradman Street
 Buffalo, NY 14206
 Tel: (716) 896-4949
 Fax: (716) 896-5696
 Toll Free: (800) 851-5181
 www.keesafety.com
 Email: info@keesafety.com

SOLD TO: _____

END USER: _____

INSTALL ADDRESS: _____

TITLE: **SAP-S-2-NS-8**

SCALE	DATE	DRAWN	CHECKED
N/A		AWK	AL
PAGE NO.	DRAWING NO.	REVISION	
PG2	STAIR BOM		

4

3

2

1

B

B

A

A

4

3

2

1

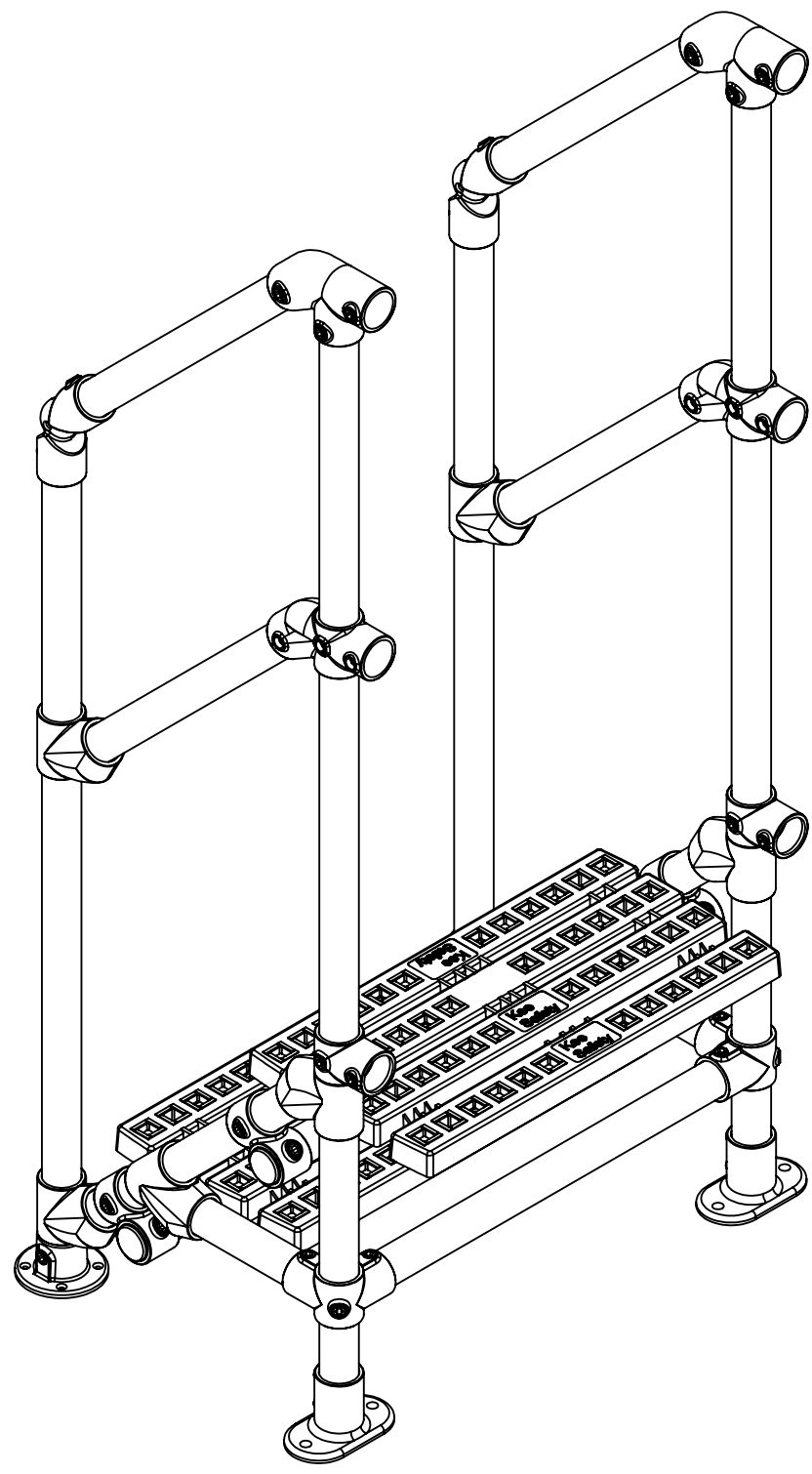
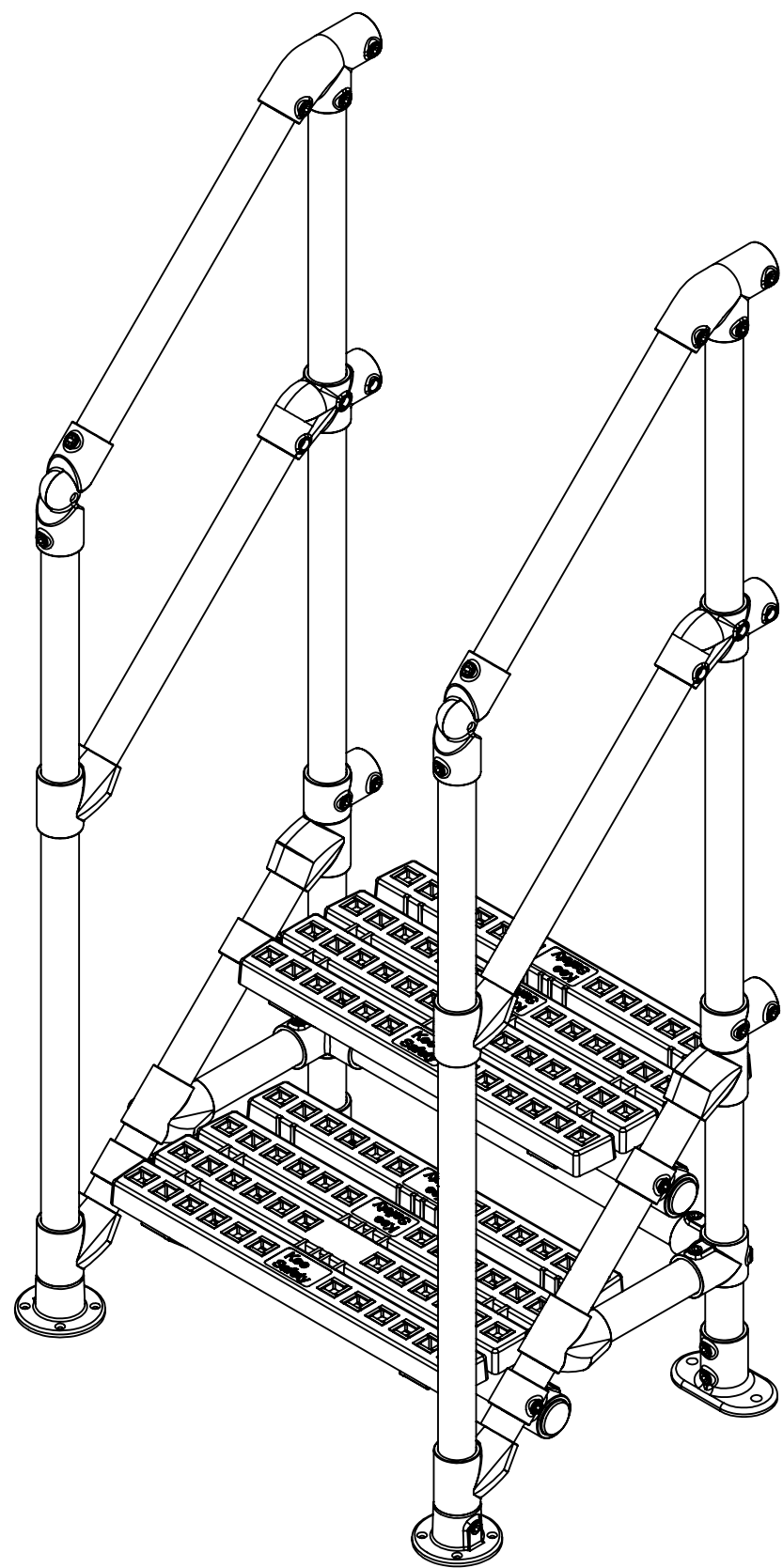
CONFIDENTIAL:
 THIS DRAWING AND THE INFORMATION IT CONTAINS IS CONFIDENTIAL. IT MUST NOT BE REPRODUCED, OR COPIED, OR USED FOR ANY OTHER PURPOSE WITHOUT THE WRITTEN PERMISSION OF KEE SAFETY.

B

B

A

A



4

3

2

1

REVISIONS	DATE	DESCRIPTION
0		FIRST ISSUE



Kee Safety, Inc.
 100 Stradman Street
 Buffalo, NY 14206
 Tel: (716) 896-4949
 Fax: (716) 896-5696
 Toll Free: (800) 851-5181
 www.keesafety.com
 Email: info@keesafety.com

SOLD TO: _____

END USER: _____

INSTALL ADDRESS: _____

TITLE: **SAP-S-2-NS-8**

SCALE: N/A	DATE:	DRAWN: AWK	CHECKED: AL
PAGE NO: PG3	DRAWING NO: STAIR BOM	REVISION:	

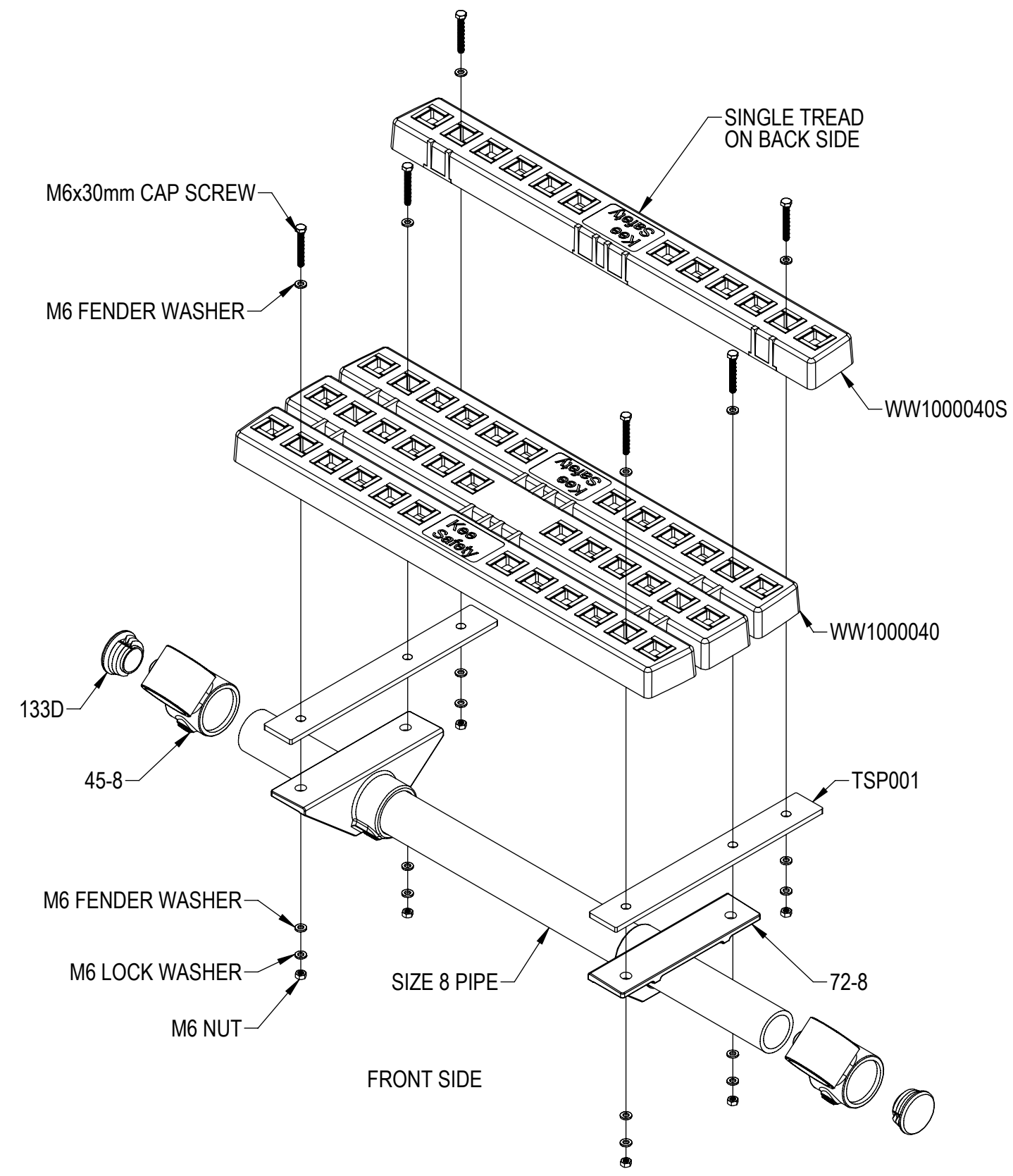
4

3

2

1

CONFIDENTIAL:
 THIS DRAWING AND THE INFORMATION IT CONTAINS IS CONFIDENTIAL. IT MUST NOT BE REPRODUCED, OR COPIED, OR USED FOR ANY OTHER PURPOSE WITHOUT THE WRITTEN PERMISSION OF KEE SAFETY.



TREAD FIXING DETAIL FOR STEP
 NOT TO SCALE

QTY: 2
 SINGLE TREAD SHOULD BE BACK SIDE WHEN INSTALLING SAP-STEP

REVISIONS	
0	FIRST ISSUE

Kee Safety
 Kee Safety, Inc.
 100 Stradman Street
 Buffalo, NY 14206
 Tel: (716) 896-4949
 Fax: (716) 896-5696
 Toll Free: (800) 851-5181
 www.keesafety.com
 Email: info@keesafety.com

SOLD TO: _____
 END USER: _____
 INSTALL ADDRESS: _____

TITLE: **SAP-S-2-NS-8**

SCALE: N/A	DATE:	DRAWN: AWK	CHECKED: AL
PAGE NO: PG4	DRAWING NO: STAIR BOM	REVISION:	

4

3

2

1

B

B

A

A

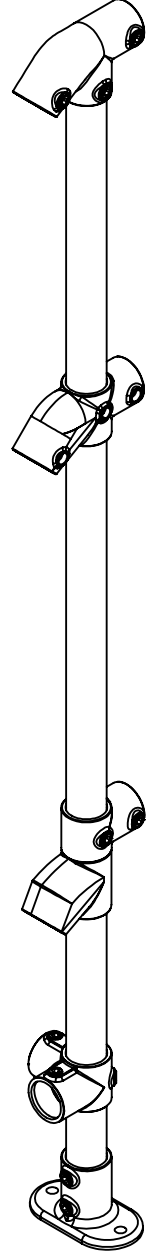
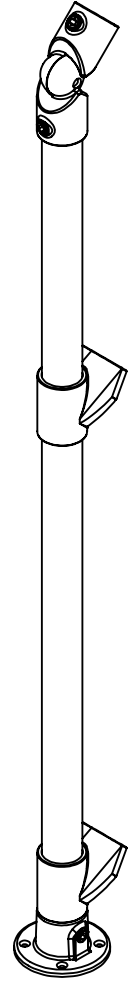
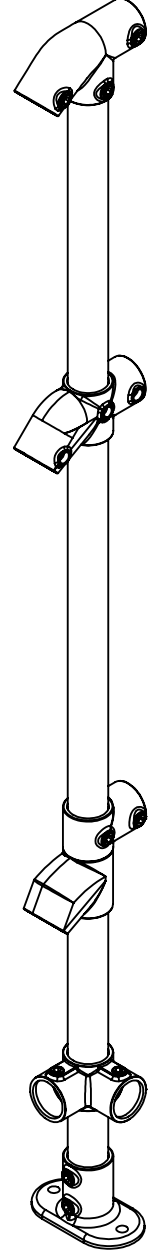
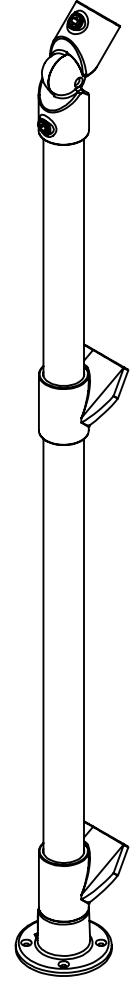
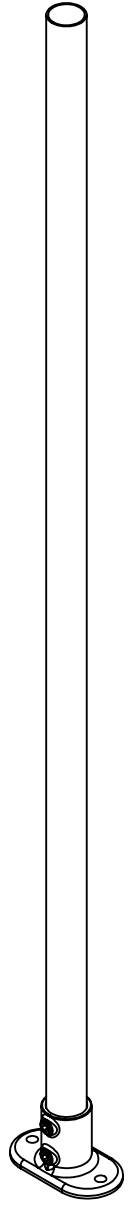
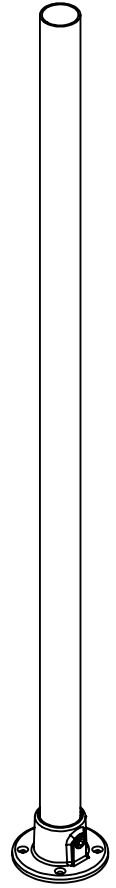
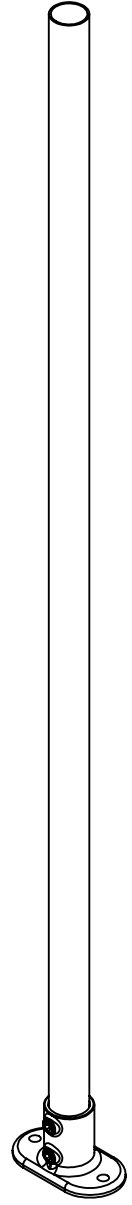
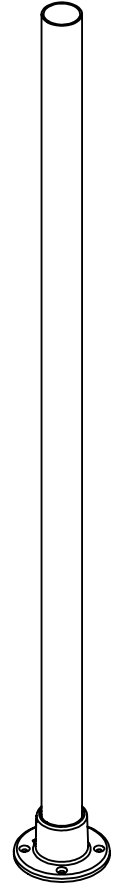
4

3

2

1

CONFIDENTIAL:
 THIS DRAWING AND THE INFORMATION IT CONTAINS IS CONFIDENTIAL. IT MUST NOT BE REPRODUCED, OR COPIED, OR USED FOR ANY OTHER PURPOSE WITHOUT THE WRITTEN PERMISSION OF KEE SAFETY.



2 STEP ASSEMBLY - 1
 NOT TO SCALE

2 STEP ASSEMBLY - 2
 NOT TO SCALE

REVISIONS	
0	FIRST ISSUE

Kee Safety
 Kee Safety, Inc.
 100 Stradman Street
 Buffalo, NY 14206
 Tel: (716) 896-4949
 Fax: (716) 896-5696
 Toll Free: (800) 851-5181
 www.keesafety.com
 Email: info@keesafety.com

SOLD TO: _____
 END USER: _____
 INSTALL ADDRESS: _____

TITLE: **SAP-S-2-NS-8**

SCALE: N/A	DATE:	DRAWN: AWK	CHECKED: AL
PAGE NO: PG6	DRAWING NO: STAIR BOM	REVISION:	

4

3

2

1

B

B

A

A

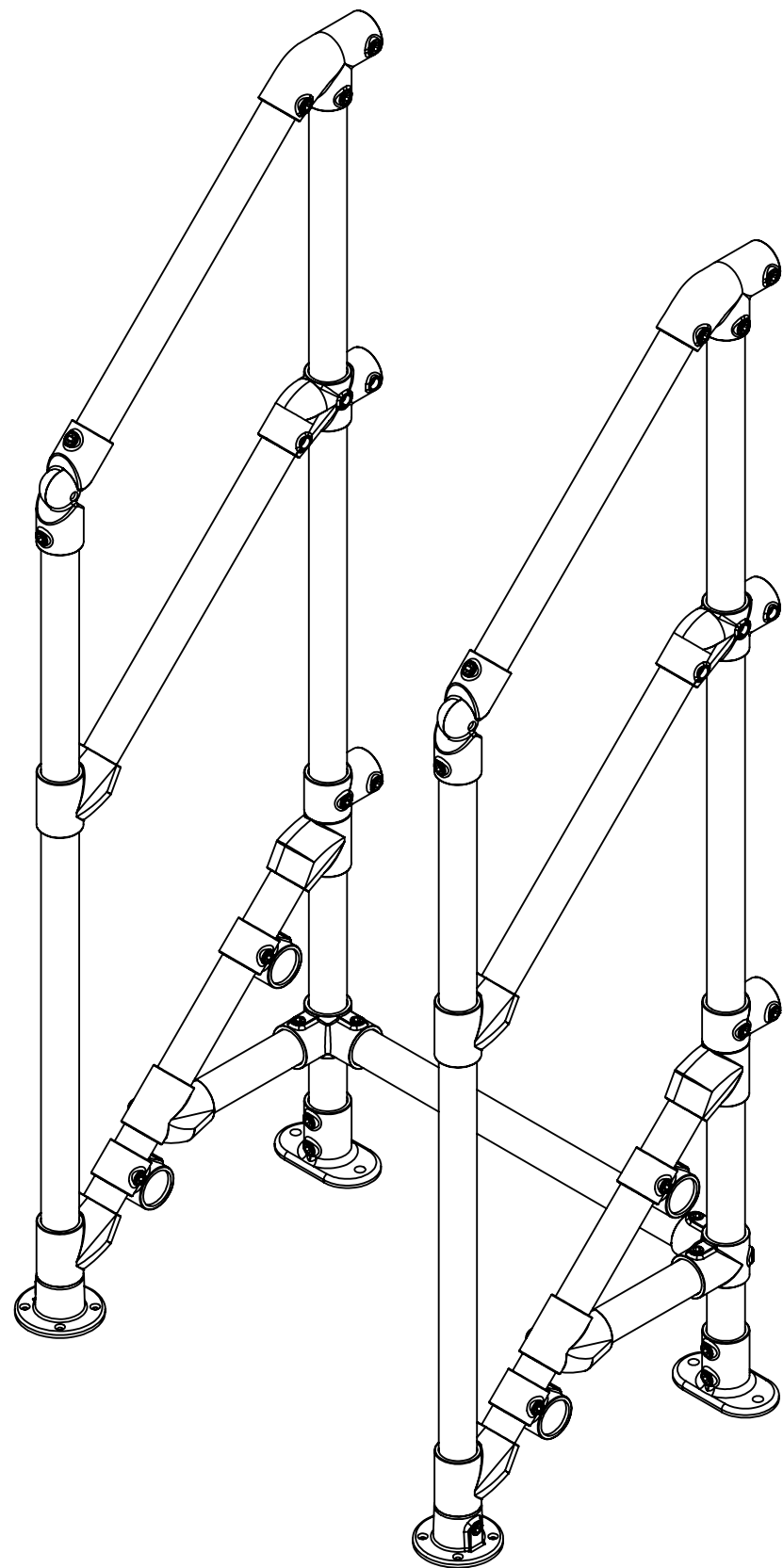
4

3

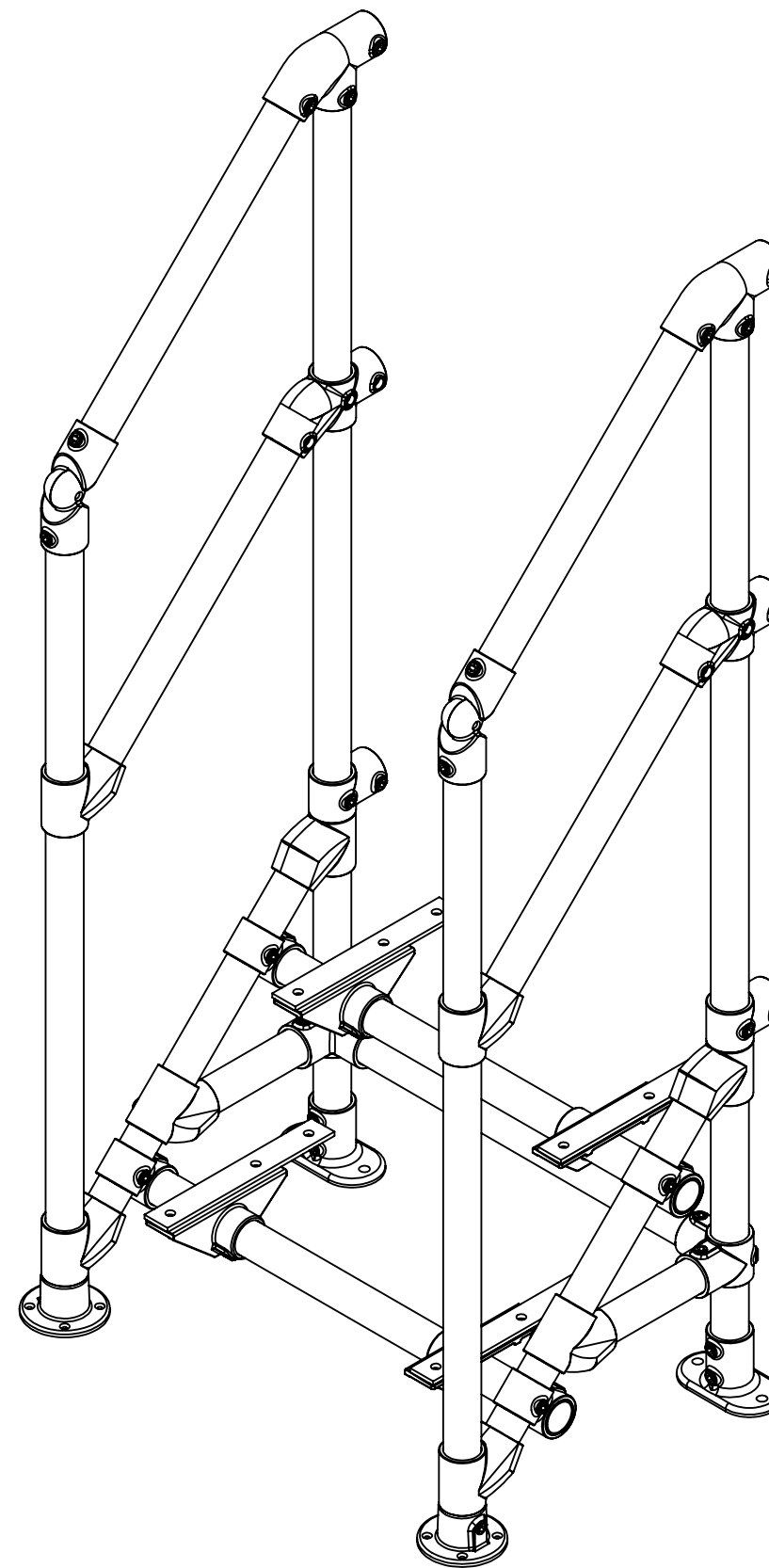
2

1

CONFIDENTIAL:
 THIS DRAWING AND THE INFORMATION IT CONTAINS IS CONFIDENTIAL. IT MUST NOT BE REPRODUCED, OR COPIED, OR USED FOR ANY OTHER PURPOSE WITHOUT THE WRITTEN PERMISSION OF KEE SAFETY.



2 STEP ASSEMBLY - 3
 NOT TO SCALE



2 STEP ASSEMBLY - 4
 NOT TO SCALE

REVISIONS	
0	FIRST ISSUE

Kee Safety
 Kee Safety, Inc.
 100 Stradman Street
 Buffalo, NY 14206
 Tel: (716) 896-4949
 Fax: (716) 896-5696
 Toll Free: (800) 851-5181
 www.keesafety.com
 Email: info@keesafety.com

SOLD TO:
 END USER:
 INSTALL ADDRESS:

TITLE: **SAP-S-2-NS-8**

SCALE: N/A	DATE:	DRAWN: AWK	CHECKED: AL
PAGE NO: PG7	DRAWING NO: STAIR BOM	REVISION:	

4

3

2

1

B

B

A

A

