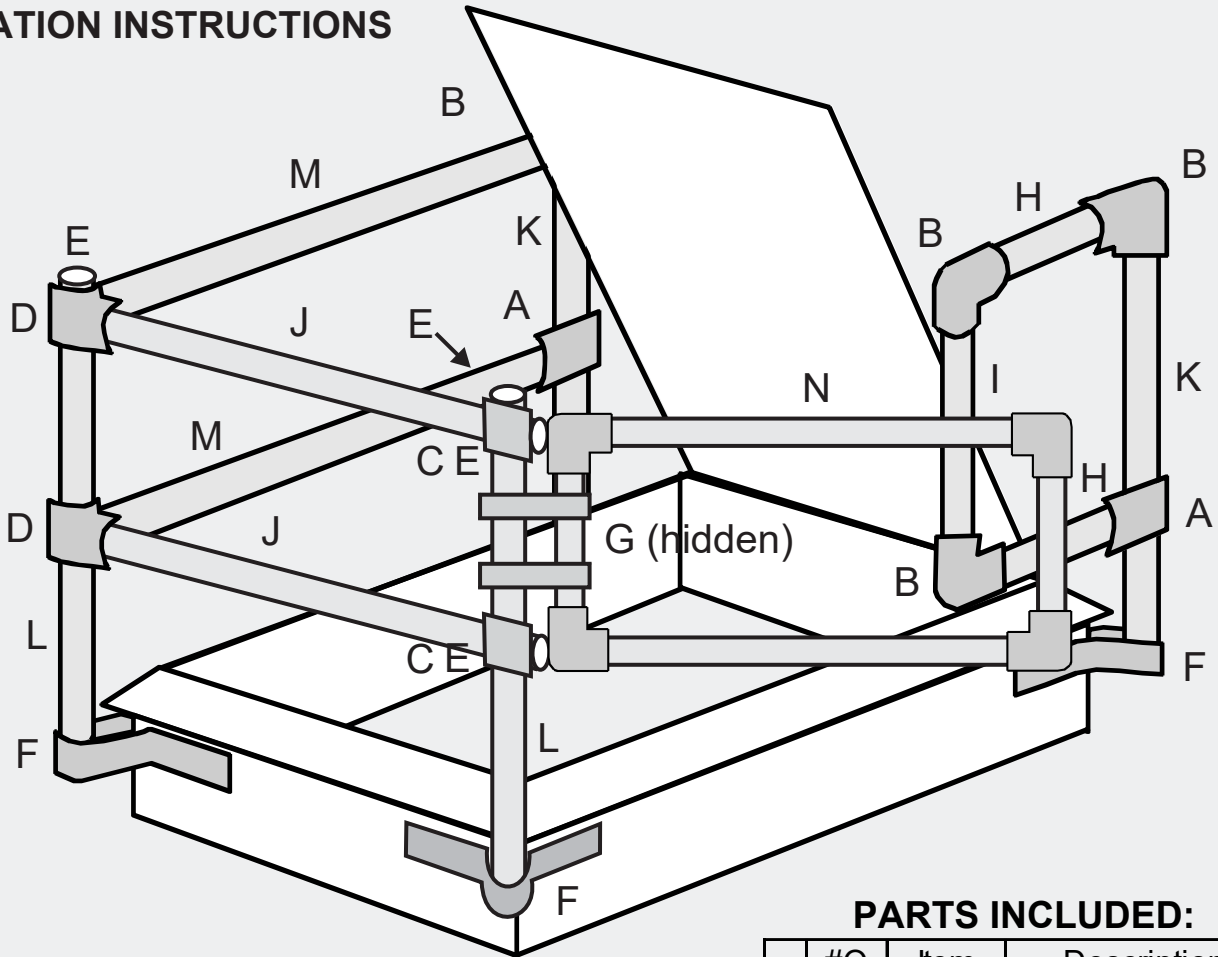




KEE HATCH® RAILING MODEL KH-FB-3054 with side exit

INSTALLATION INSTRUCTIONS



Hardware Included:	
#Q	Description
14	3/8 Fender Washer
14	3/8 Flat Washer
14	3/8 Lock Washer
14	3/8 Nut
14	3/8 X 1-1/4 Bolt
14	3/8 X 2-1/2 Bolt
1	Hex Key Set

PARTS INCLUDED:

	#Q	Item	Description
A	2	10-7	Single Socket Tee
B	4	15-7	90° Elbow
C	2	45-7	Crossover
D	2	121-7	Corner Crossover
E	4	133C	Plastic Plug
F	3	161-7	Corner Bracket
G	1	162-7	Side Bracket
H	2	12"	Pipe
I	1	30"	Pipe
J	2	36"	Pipe
K	2	40 1/8"	Pipe
L	2	42 3/4"	Pipe
M	2	66"	Pipe
N	1		Self-Closing Gate

Kee Safety
 100 Stratdman St.
 Buffalo, NY 14206
 keesafety.com



KEE HATCH® RAILING

MODEL KH-FB-3054 with side exit

INSTALLATION INSTRUCTIONS

There are two methods of installing our Kee Hatch Railing System:

1. Mounting on the counter flashing.
2. Mounting on the hatch curb.

Note: We strongly recommend mounting on the counter flashing to avoid roof penetrations in the hatch curb.

1. Mounting on the Roof Hatch Counter Flashing	
STEP 1	Hold Corner Bracket (F) tight to corner of counter flashing.
STEP 2	Mark one hole closest to corner, remove bracket and drill a 7/16" hole (titanium bits work best).
STEP 3	Bolt bracket to counter flashing using 1¼" bolt, washer and lock washer, loosely tighten.
STEP 4	Insert post (L) into bracket, plumb side to side, drill outside hole, insert 1¼" bolt, washer and lock washer, tighten both bolts.
STEP 5	Plumb post in opposite direction, drill outside hole, insert 1¼" bolt, tighten, drill inside hole, insert 1¼" bolt, tighten both bolts.
STEP 6	Hold Side Bracket (G) to the edge of the counter flashing.
STEP 7	Mark one hole, remove bracket and drill a 7/16 th hole, bolt bracket using 1¼" bolt, washer and lock washer, loosely tighten.
STEP 8	Insert post (K) into bracket, plumb side to side, drill second hole, insert 1¼" bolt, washer and lock washer, tighten both bolts.
STEP 9	Repeat for all Corner and Side Brackets.
STEP 10	Install top & mid Railings (H, J & M and vertical post I) as shown in diagram keeping top Railing at least 42" above roof surface and positioning mid railing halfway between the top rail and the top of the hatch curb, level rails, cut off excess top and mid Railing close to fittings.
STEP 11	Torque all fitting set screws to 29-foot pounds.
STEP 12	Install Self Closing Gate (N) per instructions in gate box, adjust gate tension.
STEP 13	Check roof hatch for proper unobstructed closing.



KEE HATCH® RAILING MODEL KH-FB-3054 with side exit

2. Mounting on Roof Hatch Curb (please refer to drawing on page 1)

Abide by industry standards for mounting, fastening and sealing Corner and Side Brackets.

STEP 1	Hold Corner Bracket (F) tight to corner of hatch curb.
STEP 2	Mark one hole closest to corner, remove bracket and drill a 7/16" hole (titanium bits work best).
STEP 3	Place roof sealant on inside of bracket, run bolt with fender and lock washer thru inside of curb, loosely bolt bracket to curb.
STEP 4	Insert post (L or K) into bracket, plumb side to side, drill outside hole, run bolt thru inside of curb with fender washer and lock washer, tighten both bolts.
STEP 5	Plumb post in opposite direction, drill outside hole, insert bolt, fender washer and lock washer, tighten, drill inside hole, insert bolt, fender washer and lock washer, tighten both bolts
STEP 6	Hold Side Bracket (G) to the edge of the roof curb.
STEP 7	Mark one hole, remove bracket and drill a 7/16 th hole.
STEP 8	Place roof sealant on inside of bracket, run bolt with fender and lock washer thru inside of curb, loosely bolt bracket to curb.
STEP 9	Insert post (K) into bracket, plumb side to side, drill second hole, run bolt thru inside of curb with fender washer and lock washer, tighten both bolts.
STEP 10	Repeat for all Corner and Side Brackets.
STEP 11	Install top & mid rails (H, J & M and vertical post I) as shown in diagram keeping top rail at least 42" above roof surface and positioning mid rail halfway between the top rail and the top of the hatch curb. Level rails, cut off excess top and mid Rails close to fittings.
STEP 12	Torque all fitting set screws to 29-foot pounds.
STEP 13	Install Self Closing Gate (N) per instructions in gate box, adjust gate tension.
STEP 14	Cut off all bolt ends to the nuts. File or grind burrs on bolt ends. Caulk over nuts.
STEP 15	Check roof hatch for proper unobstructed closing.