

4

3

2

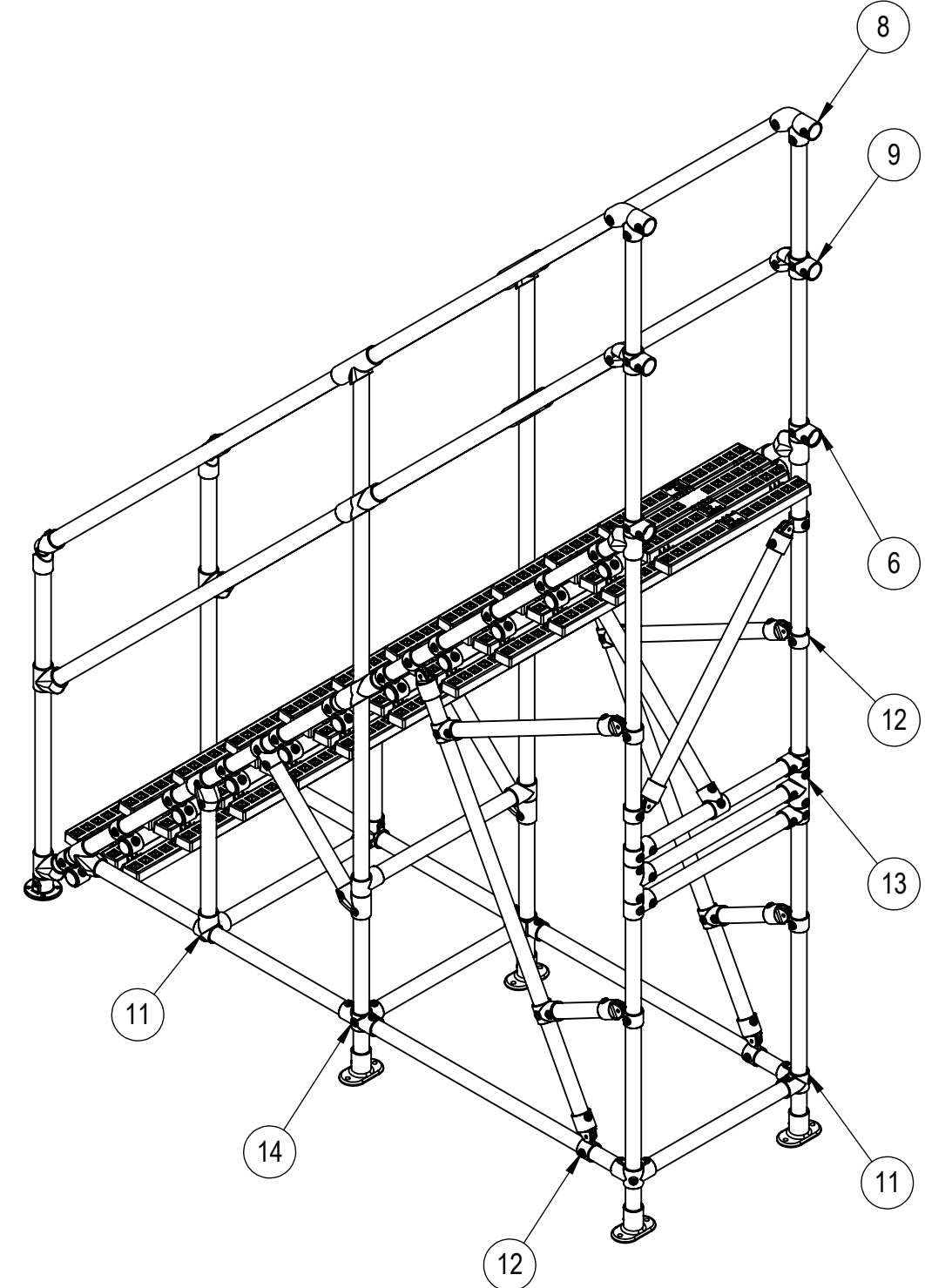
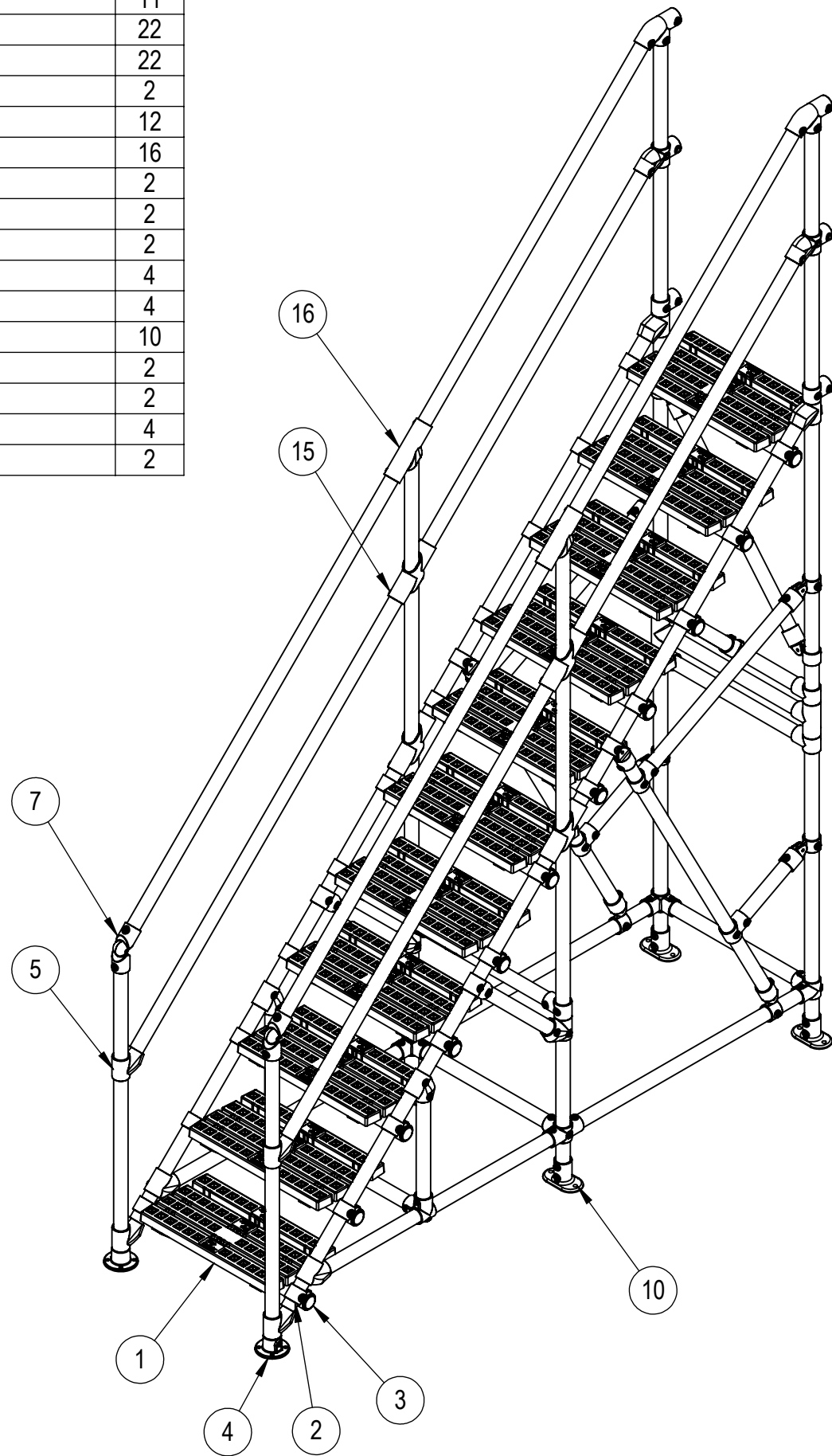
1

ITEM NO.	PART NO.	DESCRIPTION	QTY.
1	SAP-STEP		11
2	45-8		22
3	133D		22
4	61-8		2
5	29-8		12
6	10-8		16
7	BC53-88		2
8	325-8		2
9	326-8		2
10	62-8		4
11	21-8		4
12	C50-88		10
13	25-8		2
14	35-8		2
15	30-8		4
16	427-8		2

**CONFIDENTIAL:**  
 THIS DRAWING AND THE INFORMATION IT CONTAINS IS CONFIDENTIAL. IT MUST NOT BE REPRODUCED, OR COPIED, OR USED FOR ANY OTHER PURPOSE WITHOUT THE WRITTEN PERMISSION OF KEE SAFETY.

B

B



REV	DESCRIPTION	DATE
0	FIRST ISSUE	
REVISIONS		

**Kee Safety**  
 Kee Safety, Inc.  
 100 Stradman Street  
 Buffalo, NY 14206  
 Tel: (716) 896-4949  
 Fax: (716) 896-5696  
 Toll Free: (800) 851-5181  
 www.keesafety.com  
 Email: info@keesafety.com

SOLD TO: \_\_\_\_\_  
 END USER: \_\_\_\_\_  
 INSTALL ADDRESS: \_\_\_\_\_

TITLE: SAP-S-11-NS-8

SCALE	DATE	DRAWN	CHECKED
N/A		AWK	AL

PAGE NO.	DRAWING NO.	REVISION
PG1	STAIR BOM	

A

A

4

3

2

1

4

3

2

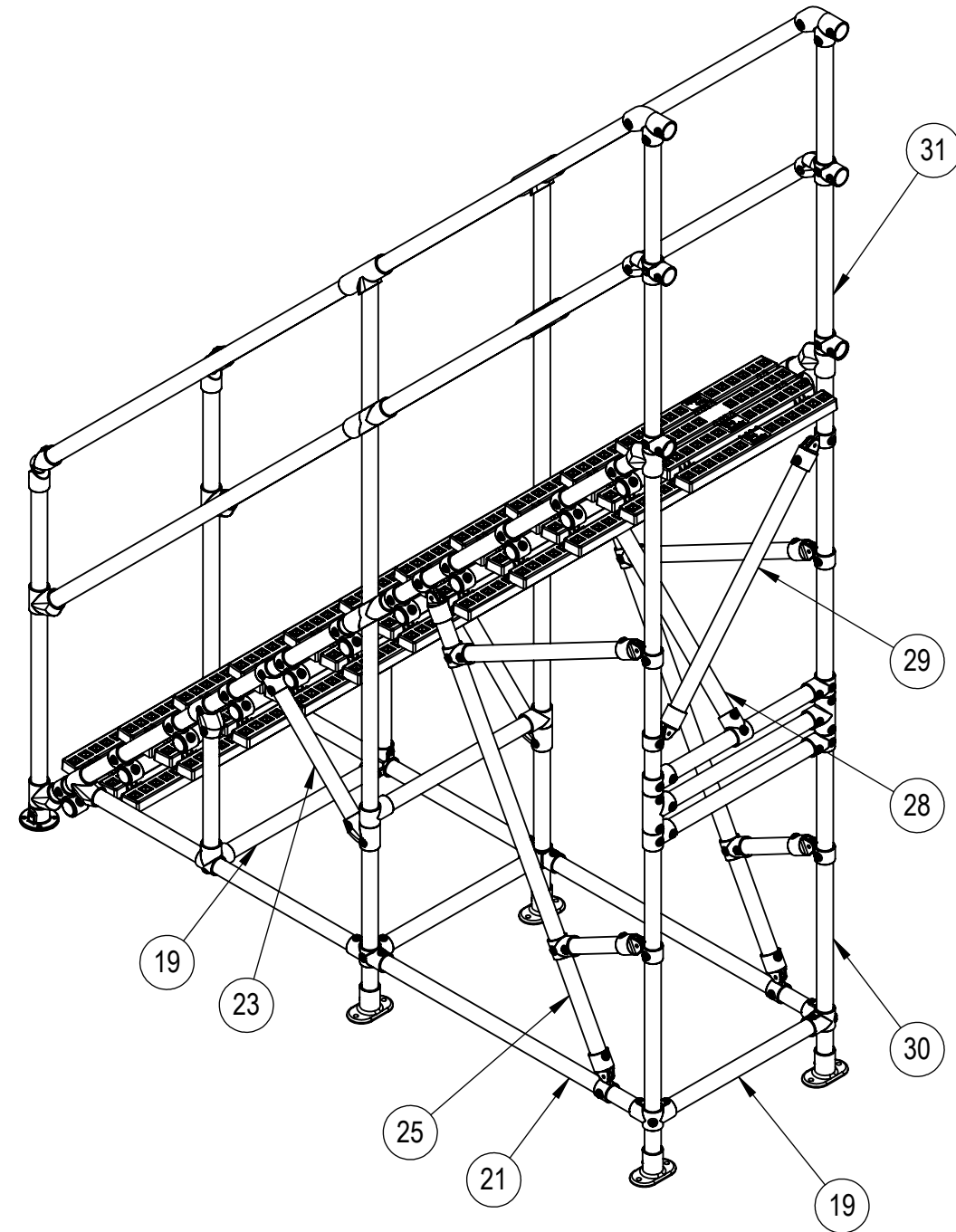
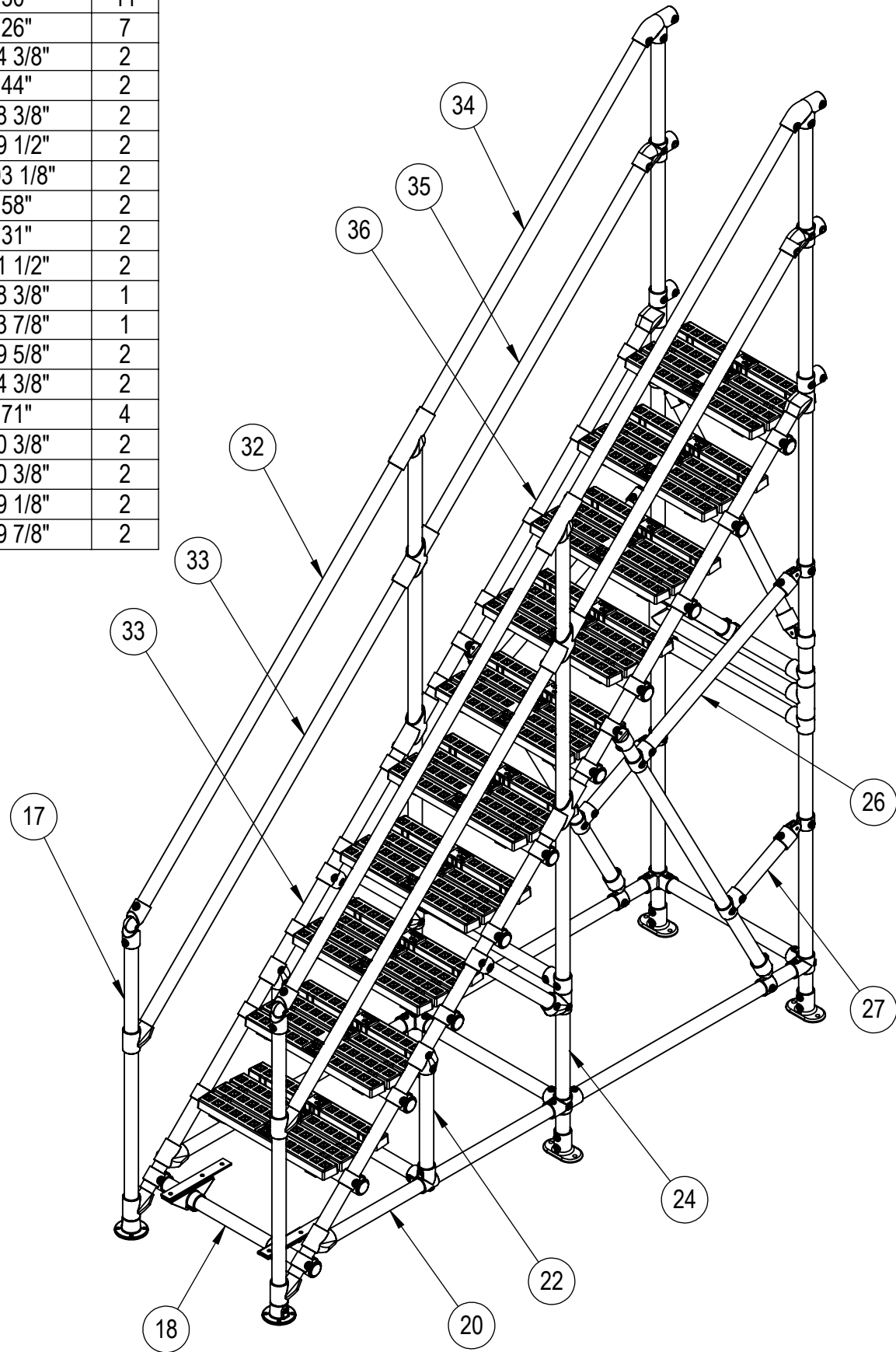
1

ITEM NO.	PART NO.	DESCRIPTION	QTY.
17	G150GS12GA	48 1/8"	2
18	G150GS12GA	30"	11
19	G150GS12GA	26"	7
20	G150GS12GA	44 3/8"	2
21	G150GS12GA	44"	2
22	G150GS12GA	18 3/8"	2
23	G150GS12GA	19 1/2"	2
24	G150GS12GA	103 1/8"	2
25	G150GS12GA	58"	2
26	G150GS12GA	31"	2
27	G150GS12GA	11 1/2"	2
28	G150GS12GA	28 3/8"	1
29	G150GS12GA	33 7/8"	1
30	G150GS12GA	49 5/8"	2
31	G150GS12GA	94 3/8"	2
32	G150GS12GA	71"	4
33	G150GS12GA	70 3/8"	2
34	G150GS12GA	60 3/8"	2
35	G150GS12GA	59 1/8"	2
36	G150GS12GA	59 7/8"	2

**CONFIDENTIAL:**  
 THIS DRAWING AND THE INFORMATION IT CONTAINS IS CONFIDENTIAL. IT MUST NOT BE REPRODUCED, OR COPIED, OR USED FOR ANY OTHER PURPOSE WITHOUT THE WRITTEN PERMISSION OF KEE SAFETY.

B

B



REV.	DESCRIPTION
0	FIRST ISSUE
REVISIONS	

**Kee Safety**  
 Kee Safety, Inc.  
 100 Stradman Street  
 Buffalo, NY 14206  
 Tel: (716) 896-4949  
 Fax: (716) 896-5696  
 Toll Free: (800) 851-5181  
 www.keesafety.com  
 Email: info@keesafety.com

SOLD TO: \_\_\_\_\_  
 END USER: \_\_\_\_\_  
 INSTALL ADDRESS: \_\_\_\_\_

TITLE: **SAP-S-11-NS-8**

SCALE: N/A	DATE:	DRAWN: AWK	CHECKED: AL
PAGE NO: PG2	DRAWING NO: STAIR BOM	REVISION:	

A

A

4

3

2

1

4

3

2

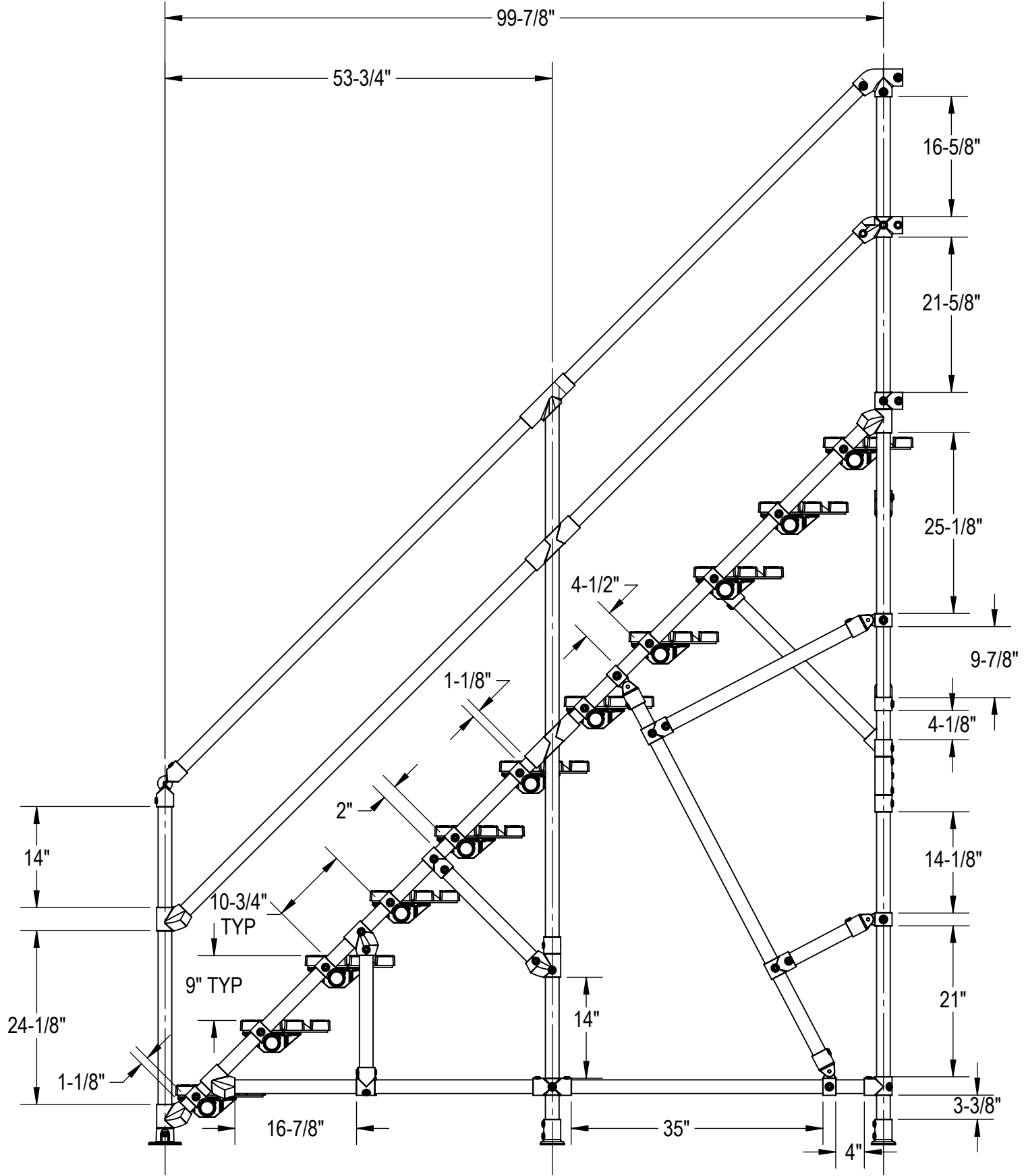
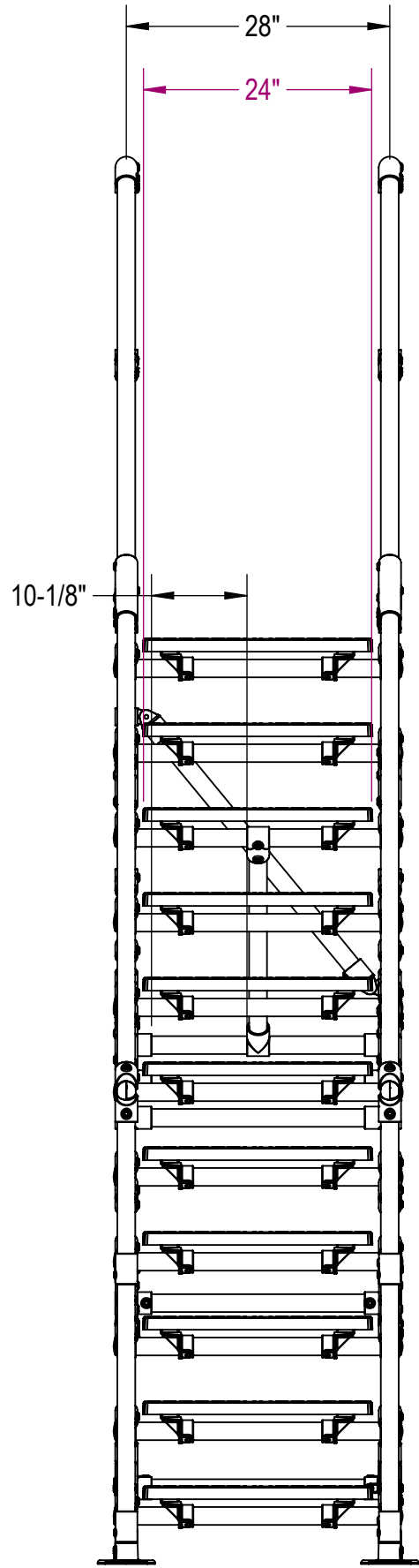
1

B

B

A

A



**CONFIDENTIAL:**  
 THIS DRAWING AND THE INFORMATION IT CONTAINS IS CONFIDENTIAL. IT MUST NOT BE REPRODUCED, OR COPIED, OR USED FOR ANY OTHER PURPOSE WITHOUT THE WRITTEN PERMISSION OF KEE SAFETY.

NO.	DESCRIPTION	DATE
0	FIRST ISSUE	
REVISIONS		

Kee Safety, Inc.  
 100 Stradman Street  
 Buffalo, NY 14206  
 Tel: (716) 896-4949  
 Fax: (716) 896-5696  
 Toll Free: (800) 851-5181  
 www.keesafety.com  
 Email: info@keesafety.com

SOLD TO: \_\_\_\_\_  
 END USER: \_\_\_\_\_  
 INSTALL ADDRESS: \_\_\_\_\_

TITLE: SAP-S-11-NS-8

SCALE	DATE	DRAWN	CHECKED
N/A		AWK	AL
PAGE NO.	DRAWING NO.	REVISION	
PG3	STAIR BOM		

4

3

2

1



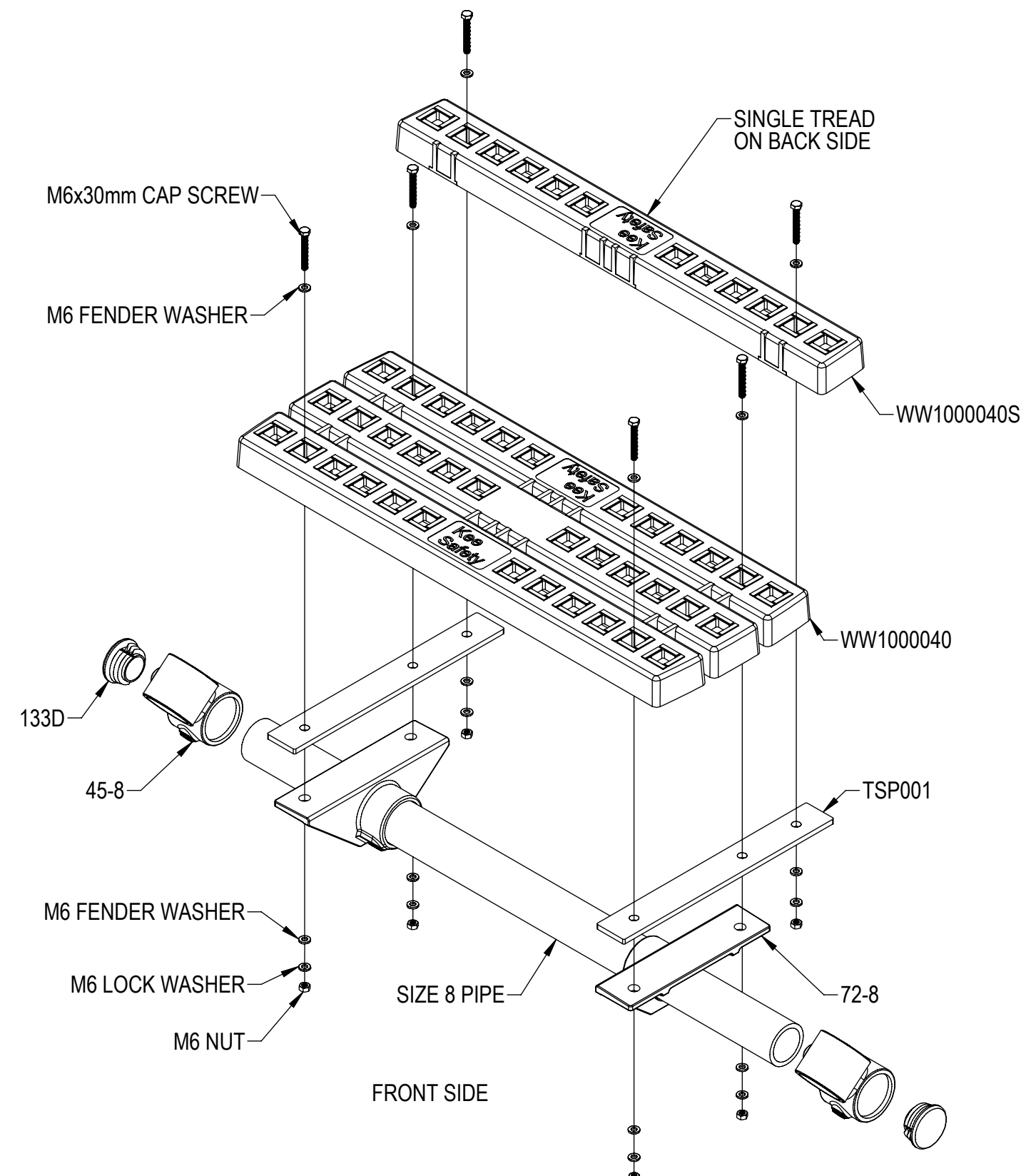
4

3

2

1

CONFIDENTIAL:  
THIS DRAWING AND THE INFORMATION IT CONTAINS IS CONFIDENTIAL. IT MUST NOT BE REPRODUCED, OR COPIED, OR USED FOR ANY OTHER PURPOSE WITHOUT THE WRITTEN PERMISSION OF KEE SAFETY.



TREAD FIXING DETAIL FOR STEP  
NOT TO SCALE

QTY: 11  
SINGLE TREAD SHOULD BE BACK SIDE WHEN INSTALLING SAP-STEP

REVISIONS	
0	FIRST ISSUE

**Kee Safety**  
 Kee Safety, Inc.  
 100 Stradman Street  
 Buffalo, NY 14206  
 Tel: (716) 896-4949  
 Fax: (716) 896-5696  
 Toll Free: (800) 851-5181  
 www.keesafety.com  
 Email: info@keesafety.com

SOLD TO:  
 END USER:  
 INSTALL ADDRESS:

TITLE: SAP-S-11-NS-8

SCALE: N/A	DATE:	DRAWN: AWK	CHECKED: AL
PAGE NO: PG5	DRAWING NO: STAIR BOM	REVISION:	

4

3

2

1

B

B

A

A

4

3

2

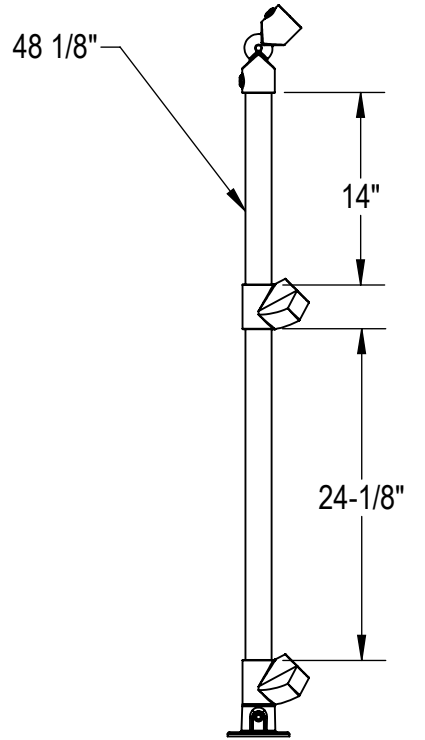
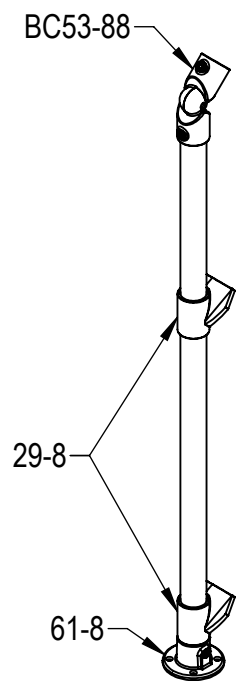
1

B

B

A

A

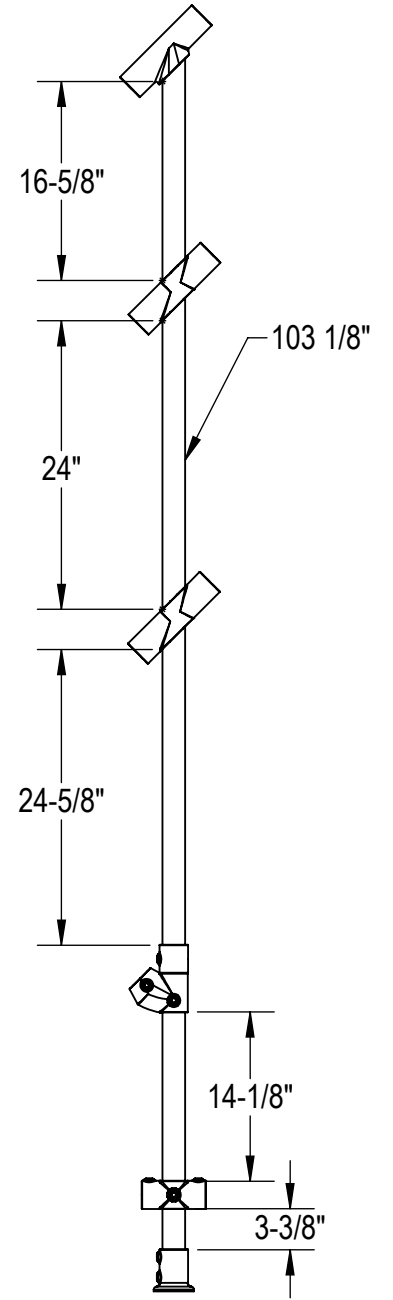
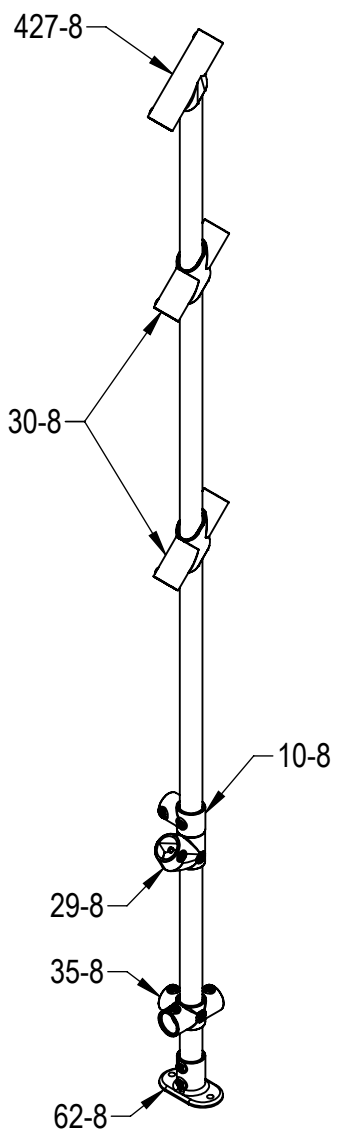


FRONT UPRIGHT DETAIL  
NOT TO SCALE

QTY: 2

4

3



MIDDLE UPRIGHT DETAIL  
NOT TO SCALE

QTY: 2

2

**CONFIDENTIAL:**  
THIS DRAWING AND THE INFORMATION IT CONTAINS IS CONFIDENTIAL. IT MUST NOT BE REPRODUCED, OR COPIED, OR USED FOR ANY OTHER PURPOSE WITHOUT THE WRITTEN PERMISSION OF KEE SAFETY.

REVISIONS	
0	FIRST ISSUE

**Kee Safety**  
Kee Safety, Inc.  
100 Stradman Street  
Buffalo, NY 14206  
Tel: (716) 896-4949  
Fax: (716) 896-5696  
Toll Free: (800) 851-5181  
www.keesafety.com  
Email: info@keesafety.com

SOLD TO: \_\_\_\_\_

END USER: \_\_\_\_\_

INSTALL ADDRESS: \_\_\_\_\_

TITLE: SAP-S-11-NS-8

SCALE	DATE	DRAWN	CHECKED
N/A		AWK	AL
PAGE NO.	DRAWING NO.	REVISION	
PG6	STAIR BOM		



4

3

2

1

**CONFIDENTIAL:**  
 THIS DRAWING AND THE INFORMATION IT CONTAINS IS CONFIDENTIAL. IT MUST NOT BE REPRODUCED, OR COPIED, OR USED FOR ANY OTHER PURPOSE WITHOUT THE WRITTEN PERMISSION OF KEE SAFETY.

REVISIONS	
0	FIRST ISSUE

**Kee Safety**  
 Kee Safety, Inc.  
 100 Stradman Street  
 Buffalo, NY 14206  
 Tel: (716) 896-4949  
 Fax: (716) 896-5696  
 Toll Free: (800) 851-5181  
 www.keesafety.com  
 Email: info@keesafety.com

SOLD TO:  
 END USER:  
 INSTALL ADDRESS:

TITLE: **SAP-S-11-NS-8**

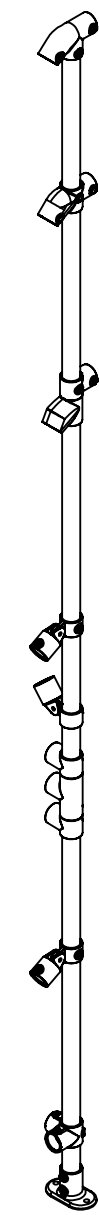
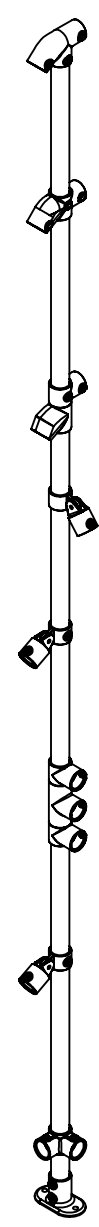
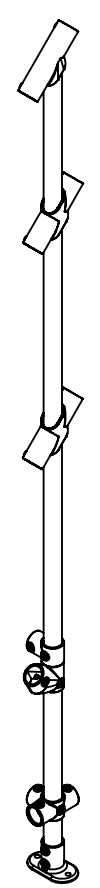
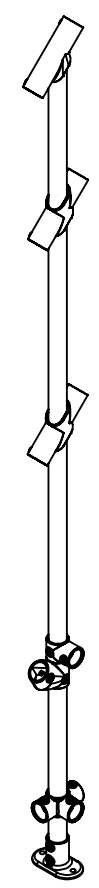
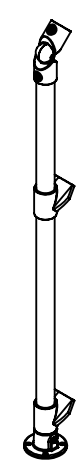
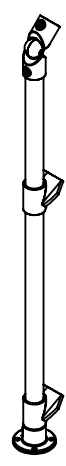
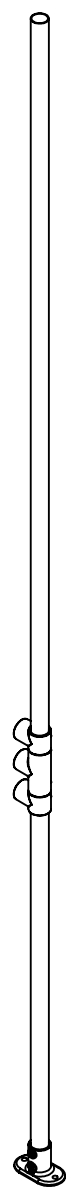
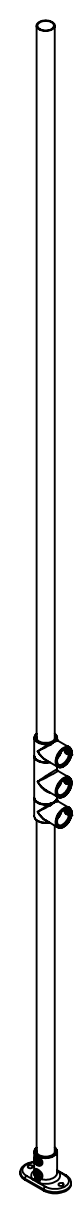
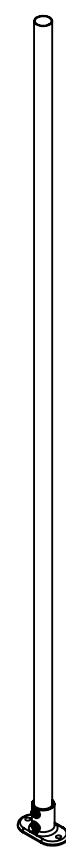
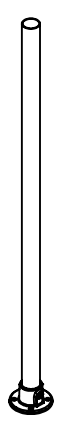
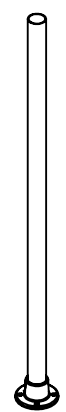
SCALE: N/A	DATE:	DRAWN: AWK	CHECKED: AL
PAGE NO: PG8	DRAWING NO: STAIR BOM	REVISION:	

B

B

A

A



11 STEP ASSEMBLY - 1  
 NOT TO SCALE

11 STEP ASSEMBLY - 2  
 NOT TO SCALE

4

3

2

1

4

3

2

1

**CONFIDENTIAL:**  
 THIS DRAWING AND THE INFORMATION IT CONTAINS IS CONFIDENTIAL. IT MUST NOT BE REPRODUCED, OR COPIED, OR USED FOR ANY OTHER PURPOSE WITHOUT THE WRITTEN PERMISSION OF KEE SAFETY.

REVISIONS	
0	FIRST ISSUE



Kee Safety, Inc.  
 100 Stradman Street  
 Buffalo, NY 14206  
 Tel: (716) 896-4949  
 Fax: (716) 896-5696  
 Toll Free: (800) 851-5181  
 www.keesafety.com  
 Email: info@keesafety.com

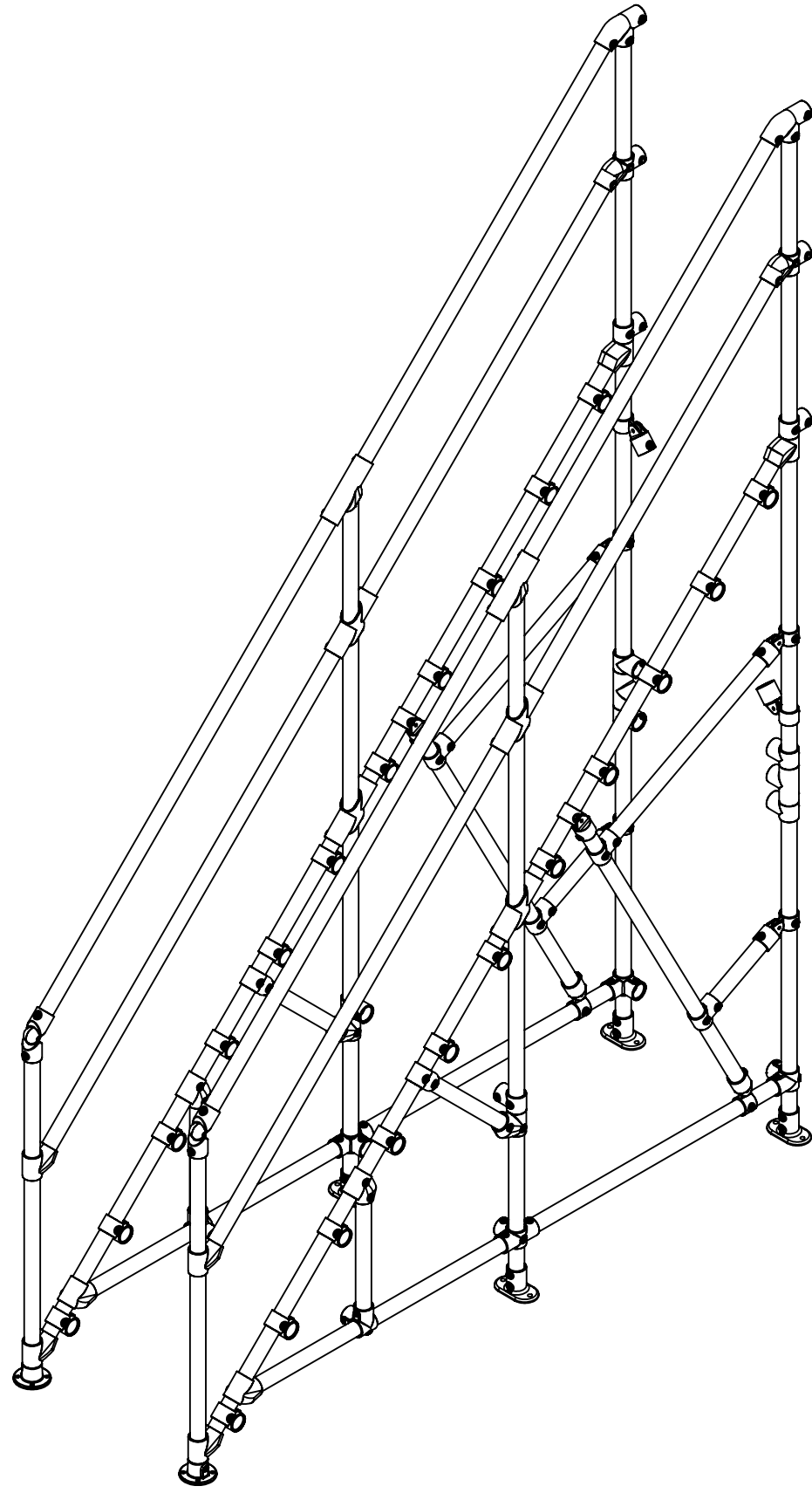
SOLD TO: \_\_\_\_\_

END USER: \_\_\_\_\_

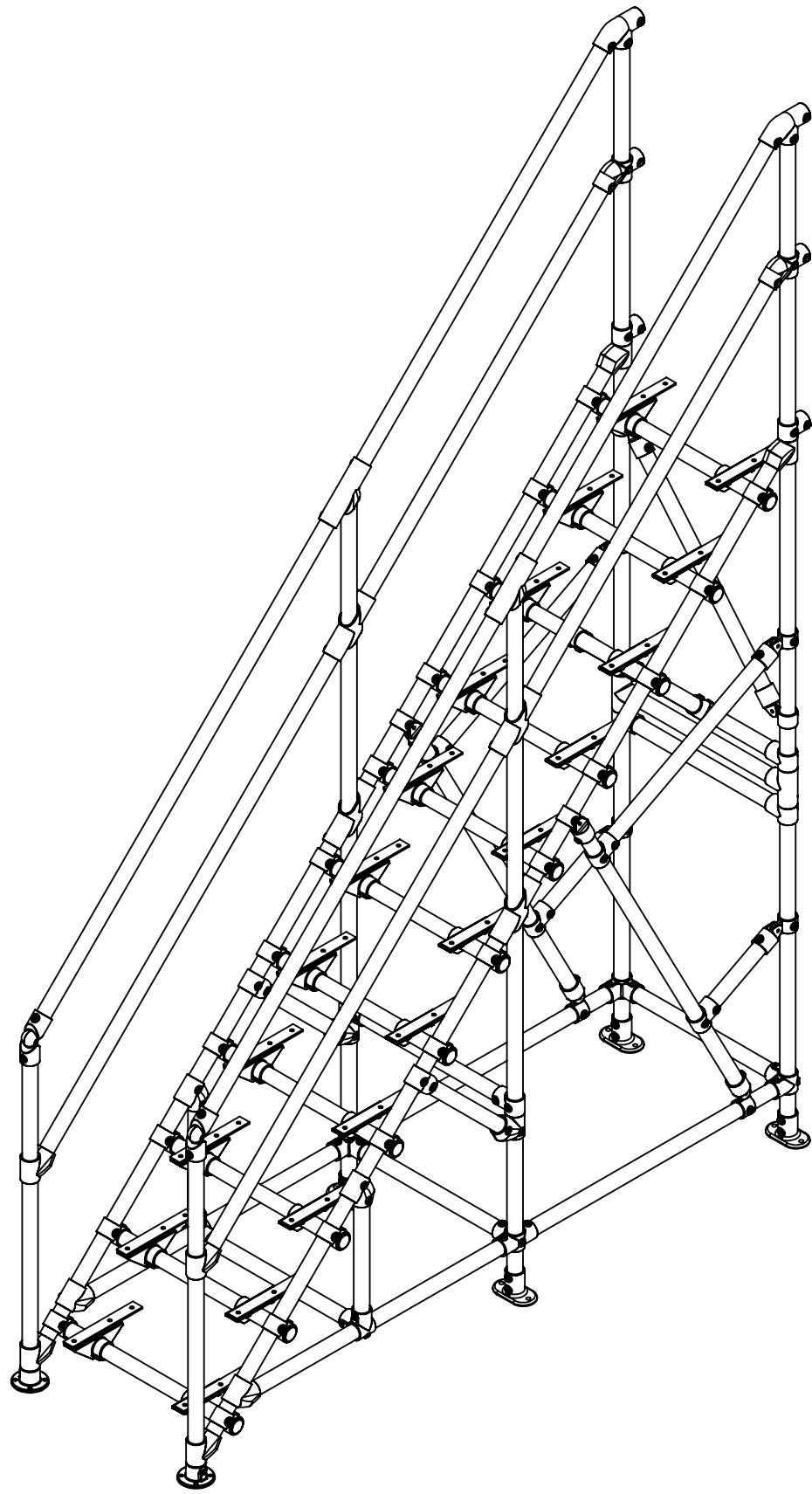
INSTALL ADDRESS: \_\_\_\_\_

TITLE: **SAP-S-11-NS-8**

SCALE: N/A	DATE:	DRAWN: AWK	CHECKED: AL
FIG. NO: PG9	DRAWING NO: STAIR BOM	REVISION:	



**11 STEP ASSEMBLY - 3**  
 NOT TO SCALE



**11 STEP ASSEMBLY - 4**  
 NOT TO SCALE

4

3

2

1

B

B

A

A

