

4

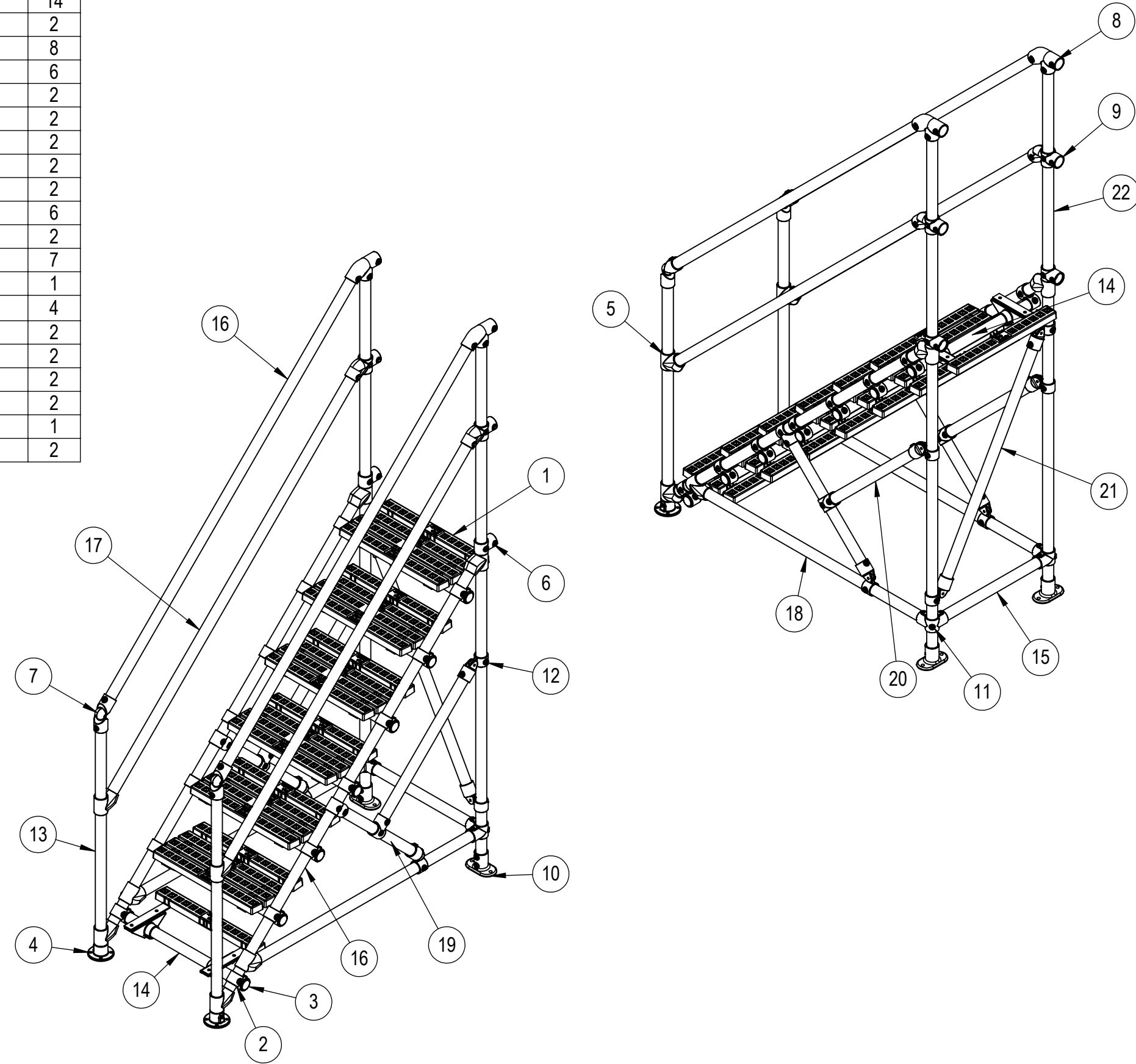
3

2

1

ITEM NO.	PART NO.	DESCRIPTION	QTY.
1	SAP-STEP		7
2	45-8		14
3	133D		14
4	61-8		2
5	29-8		8
6	10-8		6
7	BC53-88		2
8	325-8		2
9	326-8		2
10	62-8		2
11	21-8		2
12	C50-88		6
13	G150GS12GA	48-1/8"	2
14	G150GS12GA	30"	7
15	G150GS12GA	26"	1
16	G150GS12GA	85-3/8"	4
17	G150GS12GA	84-3/4"	2
18	G150GS12GA	54-3/8"	2
19	G150GS12GA	26"	2
20	G150GS12GA	29-3/4"	2
21	G150GS12GA	45-3/8"	1
22	G150GS12GA	110-7/8"	2

CONFIDENTIAL:
 THIS DRAWING AND THE INFORMATION IT CONTAINS IS CONFIDENTIAL. IT MUST NOT BE REPRODUCED, OR COPIED, OR USED FOR ANY OTHER PURPOSE WITHOUT THE WRITTEN PERMISSION OF KEE SAFETY.



REV	DESCRIPTION	DATE
0	FIRST ISSUE	
REVISIONS		

Kee Safety
 Kee Safety, Inc.
 100 Stradman Street
 Buffalo, NY 14206
 Tel: (716) 896-4949
 Fax: (716) 896-5696
 Toll Free: (800) 851-5181
 www.keesafety.com
 Email: info@keesafety.com

SOLD TO: _____
 END USER: _____
 INSTALL ADDRESS: _____

TITLE: **SAP-S-7-NS-8**

SCALE: N/A	DATE:	DRAWN: AWK	CHECKED: AL
PAGE NO: PG1	DRAWING NO: STAIR BOM	REVISION:	

4

3

2

1

B

B

A

A

4

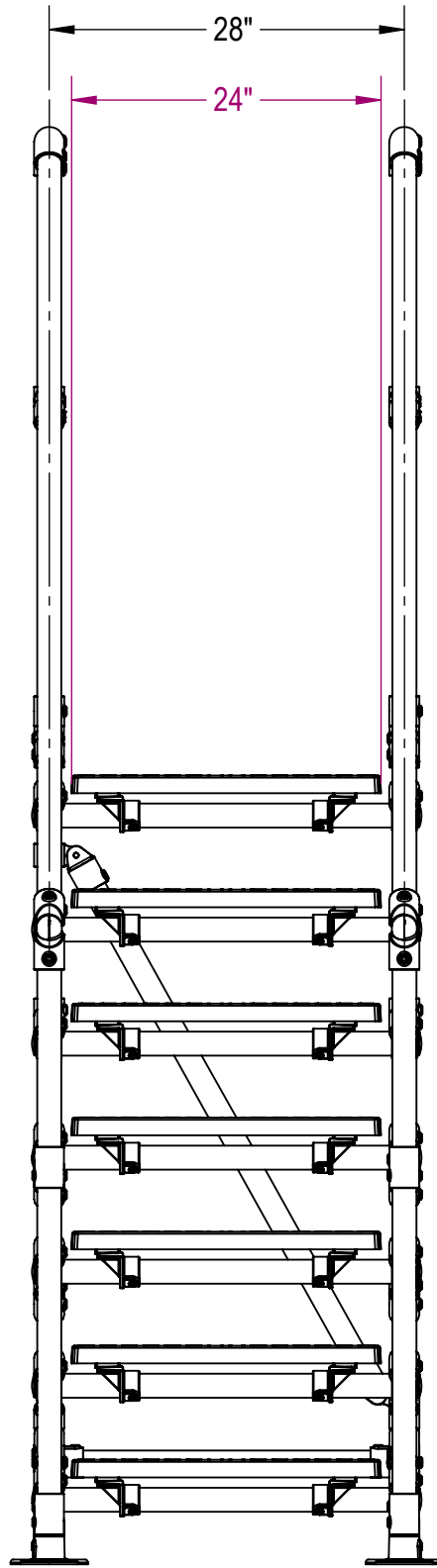
3

2

1

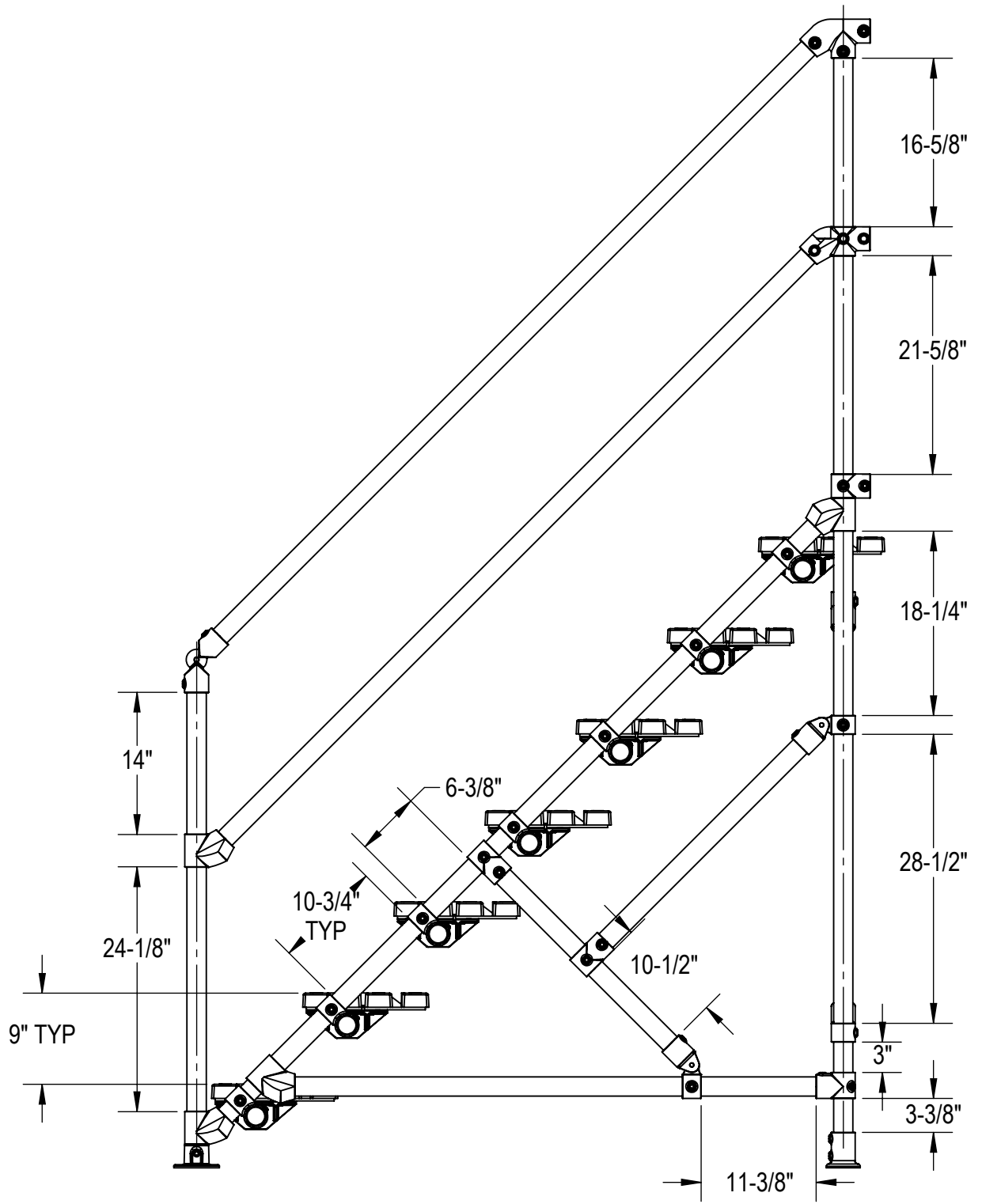
CONFIDENTIAL:
 THIS DRAWING AND THE INFORMATION IT CONTAINS IS CONFIDENTIAL. IT MUST NOT BE REPRODUCED, OR COPIED, OR USED FOR ANY OTHER PURPOSE WITHOUT THE WRITTEN PERMISSION OF KEE SAFETY.

B



B

A



NO.	REVISIONS
0	FIRST ISSUE

Kee Safety
 Kee Safety, Inc.
 100 Stradman Street
 Buffalo, NY 14206
 Tel: (716) 896-4949
 Fax: (716) 896-5696
 Toll Free: (800) 851-5181
 www.keesafety.com
 Email: info@keesafety.com

SOLD TO: _____
 END USER: _____
 INSTALL ADDRESS: _____

TITLE: **SAP-S-7-NS-8**

SCALE	DATE	DRAWN	CHECKED
N/A		AWK	AL
PAGE NO.	DRAWING NO.	REVISION	
PG2	STAIR BOM		

A

4

3

2

1

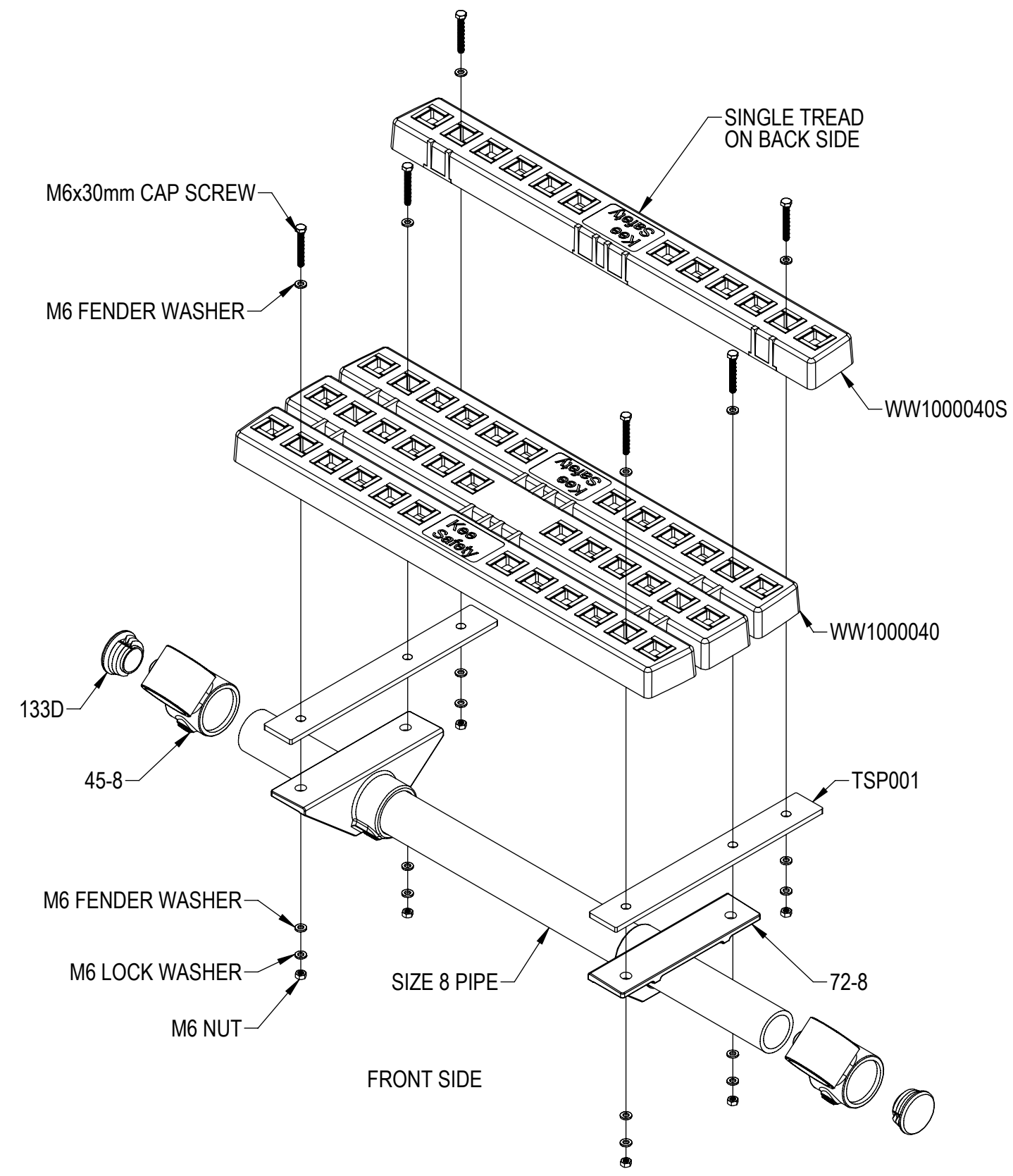
4

3

2

1

CONFIDENTIAL:
 THIS DRAWING AND THE INFORMATION IT CONTAINS IS CONFIDENTIAL. IT MUST NOT BE REPRODUCED, OR COPIED, OR USED FOR ANY OTHER PURPOSE WITHOUT THE WRITTEN PERMISSION OF KEE SAFETY.



TREAD FIXING DETAIL FOR STEP
 NOT TO SCALE

QTY: 7
 SINGLE TREAD SHOULD BE BACK SIDE WHEN INSTALLING SAP-STEP

REVISIONS	
0	FIRST ISSUE

Kee Safety
 Kee Safety, Inc.
 100 Stradman Street
 Buffalo, NY 14206
 Tel: (716) 896-4949
 Fax: (716) 896-5696
 Toll Free: (800) 851-5181
 www.keesafety.com
 Email: info@keesafety.com

SOLD TO: _____
 END USER: _____
 INSTALL ADDRESS: _____

TITLE: **SAP-S-7-NS-8**

SCALE: N/A	DATE:	DRAWN: AWK	CHECKED: AL
PAGE NO: PG4	DRAWING NO: STAIR BOM	REVISION:	

4

3

2

1

B

B

A

A

4

3

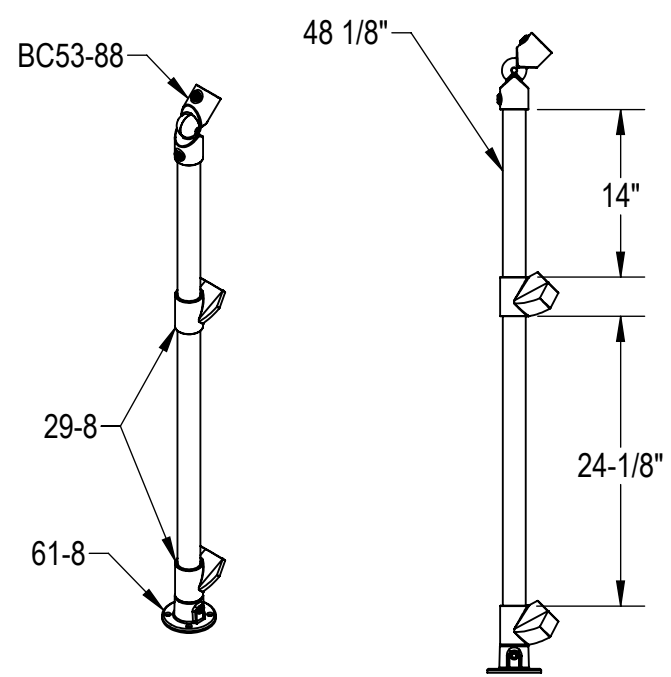
2

1

CONFIDENTIAL:
THIS DRAWING AND THE INFORMATION IT CONTAINS IS CONFIDENTIAL. IT MUST NOT BE REPRODUCED, OR COPIED, OR USED FOR ANY OTHER PURPOSE WITHOUT THE WRITTEN PERMISSION OF KEE SAFETY.

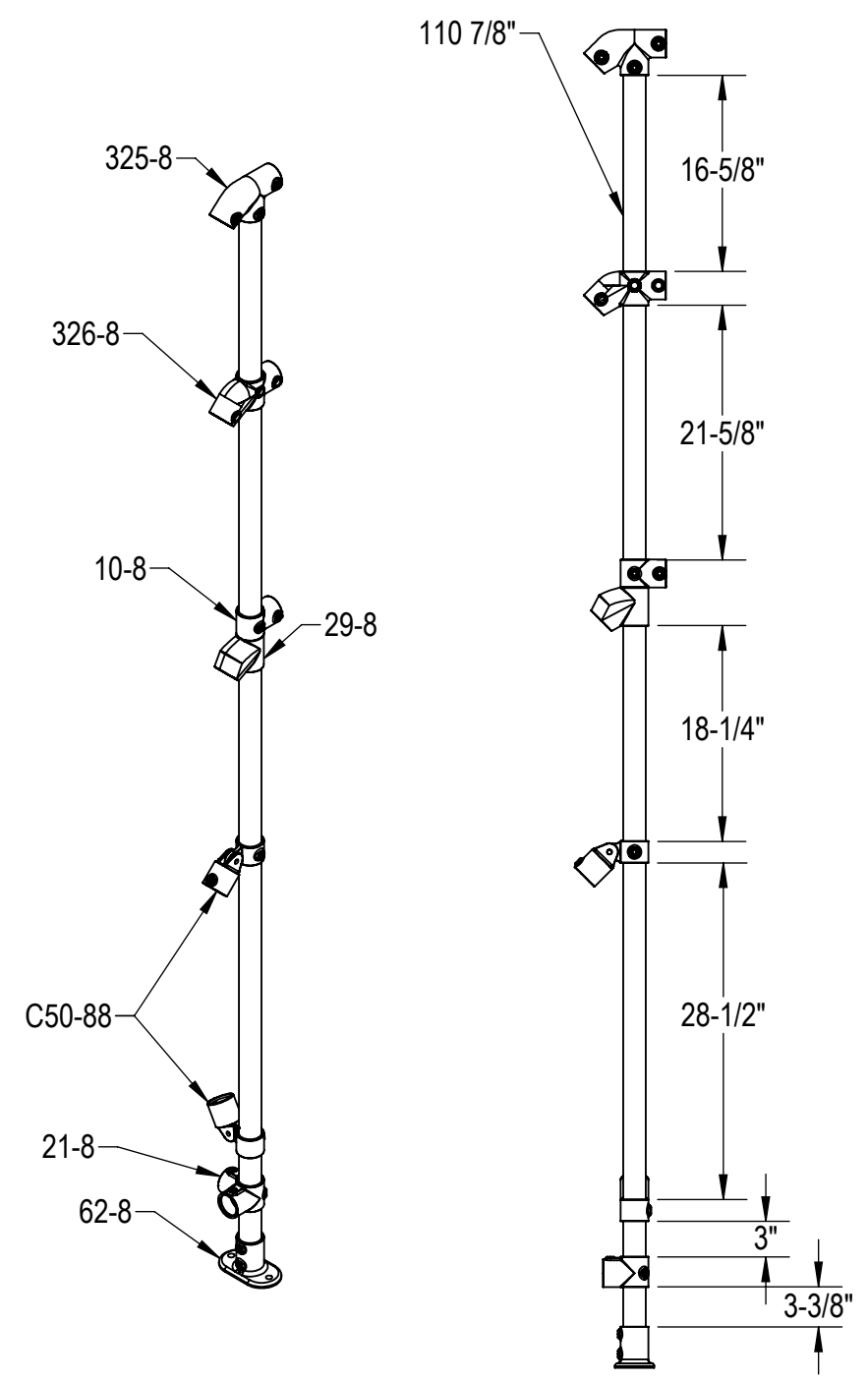
B

B



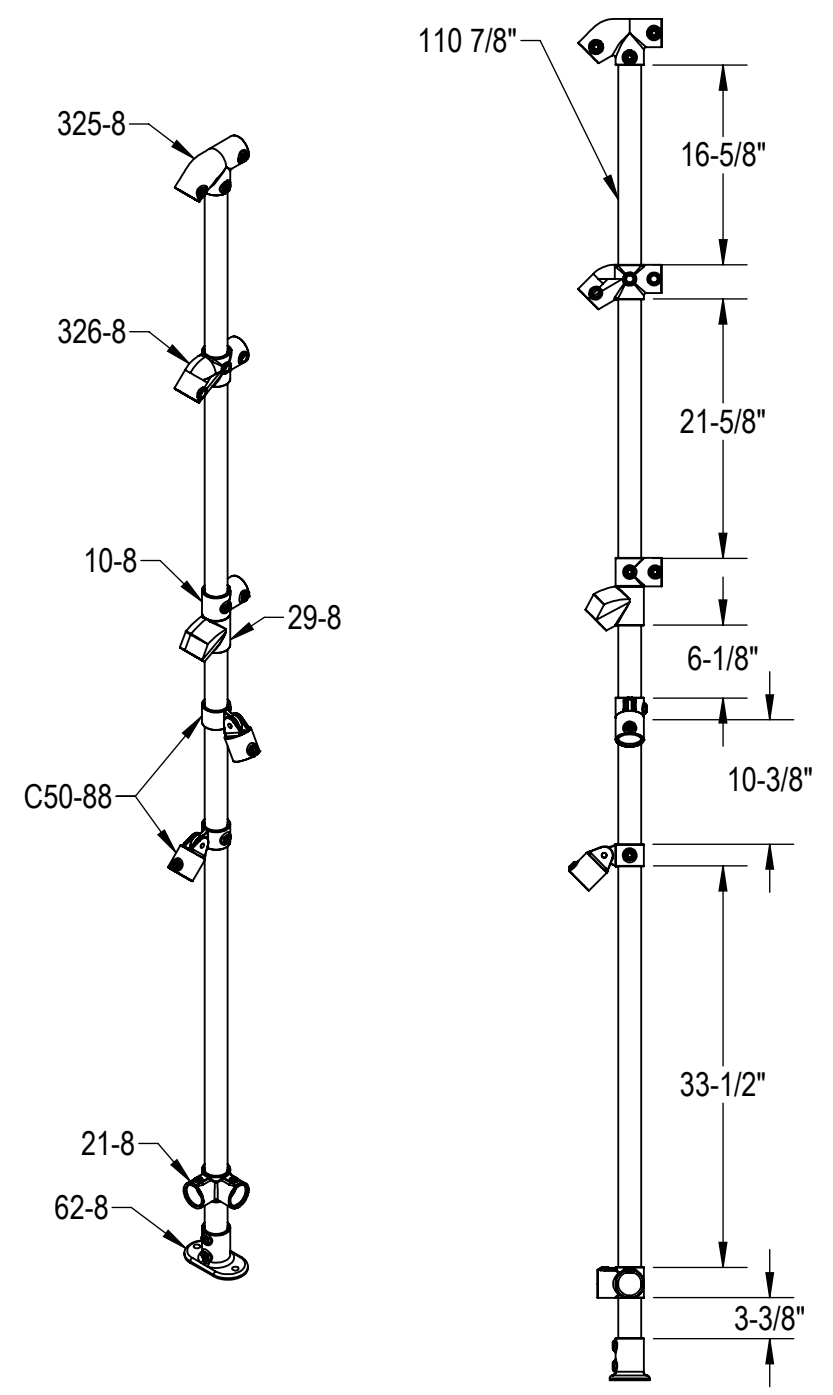
FRONT UPRIGHT DETAIL
NOT TO SCALE

QTY: 2



RIGHT REAR UPRIGHT DETAIL
NOT TO SCALE

3



LEFT REAR UPRIGHT DETAIL
NOT TO SCALE

2

REV	DESCRIPTION	DATE
0	FIRST ISSUE	
REVISIONS		

Kee Safety
Kee Safety, Inc.
100 Stradman Street
Buffalo, NY 14206
Tel: (716) 896-4949
Fax: (716) 896-5696
Toll Free: (800) 851-5181
www.keesafety.com
Email: info@keesafety.com

SOLD TO: _____
END USER: _____
INSTALL ADDRESS: _____

TITLE: **SAP-S-7-NS-8**

SCALE: N/A	DATE:	DRAWN: AWK	CHECKED: AL
PAGE NO: PG5	DRAWING NO: STAIR BOM	REVISION:	

A

4

1

4

3

2

1

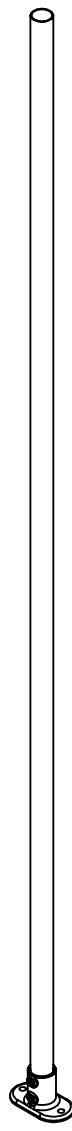
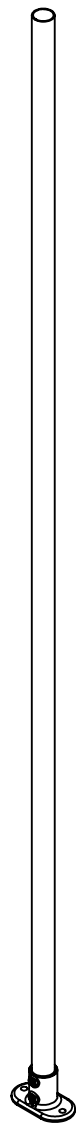
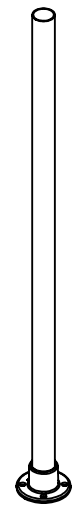
CONFIDENTIAL:
 THIS DRAWING AND THE INFORMATION IT CONTAINS IS CONFIDENTIAL. IT MUST NOT BE REPRODUCED, OR COPIED, OR USED FOR ANY OTHER PURPOSE WITHOUT THE WRITTEN PERMISSION OF KEE SAFETY.

B

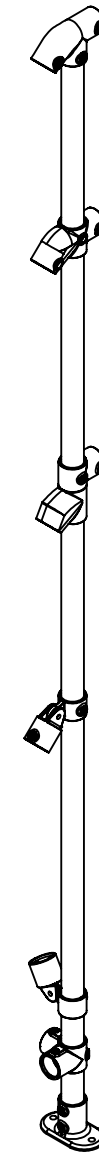
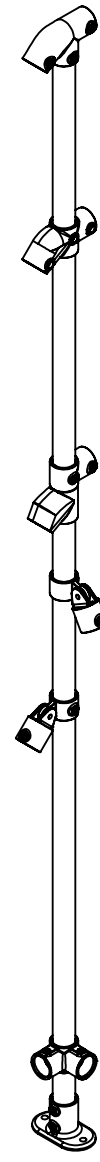
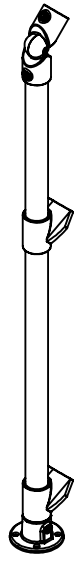
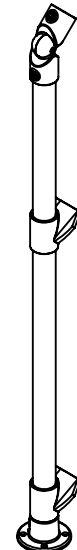
B

A

A



7 STEP ASSEMBLY - 1
 NOT TO SCALE



7 STEP ASSEMBLY - 2
 NOT TO SCALE

4

3

2

1

NO.	DESCRIPTION	DATE
0	FIRST ISSUE	
	REVISIONS	

Kee Safety
 Kee Safety, Inc.
 100 Stradman Street
 Buffalo, NY 14206
 Tel: (716) 896-4949
 Fax: (716) 896-5696
 Toll Free: (800) 851-5181
 www.keesafety.com
 Email: info@keesafety.com

SOLD TO: _____

END USER: _____

INSTALL ADDRESS: _____

TITLE: **SAP-S-7-NS-8**

SCALE: N/A	DATE:	DRAWN: AWK	CHECKED: AL
PAGE NO: PG6	DRAWING NO: STAIR BOM	REVISION:	

4

3

2

1

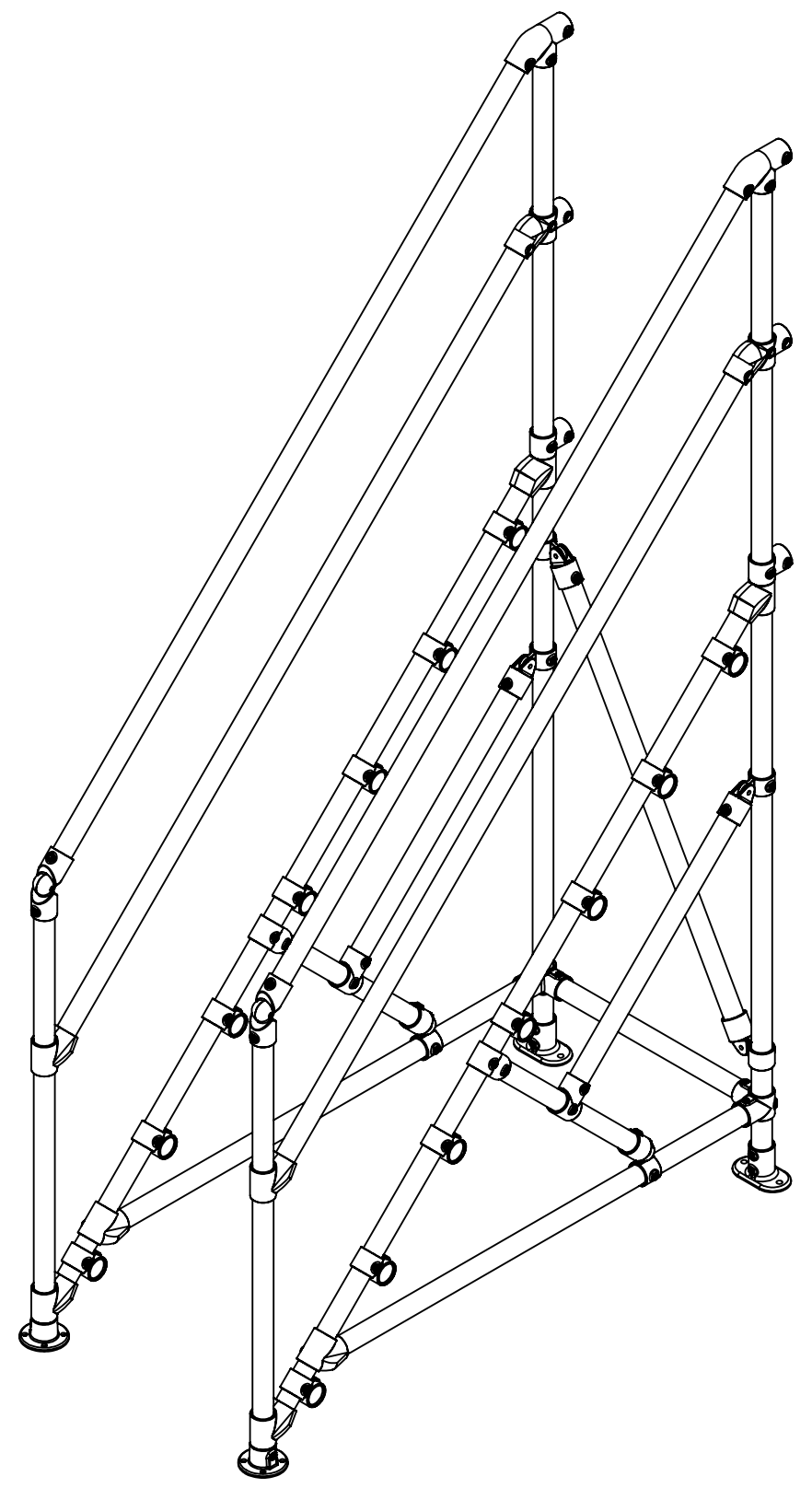
CONFIDENTIAL:
 THIS DRAWING AND THE INFORMATION IT CONTAINS IS CONFIDENTIAL. IT MUST NOT BE REPRODUCED, OR COPIED, OR USED FOR ANY OTHER PURPOSE WITHOUT THE WRITTEN PERMISSION OF KEE SAFETY.

B

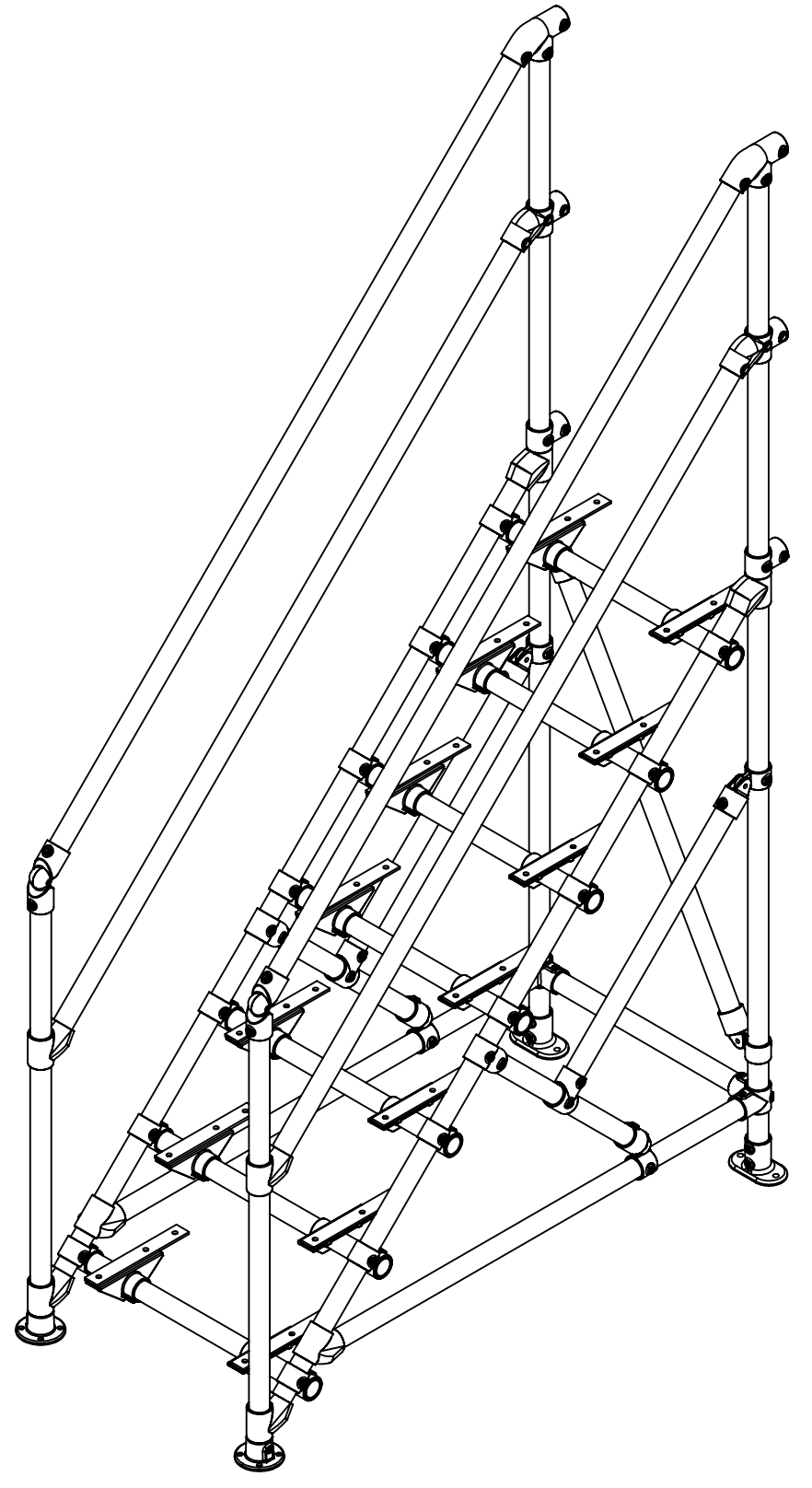
B

A

A



7 STEP ASSEMBLY - 3
 NOT TO SCALE



7 STEP ASSEMBLY - 4
 NOT TO SCALE

REVISIONS	
0	FIRST ISSUE

Kee Safety
 Kee Safety, Inc.
 100 Stradman Street
 Buffalo, NY 14206
 Tel: (716) 896-4949
 Fax: (716) 896-5696
 Toll Free: (800) 851-5181
 www.keesafety.com
 Email: info@keesafety.com

SOLD TO: _____
 END USER: _____
 INSTALL ADDRESS: _____

TITLE: **SAP-S-7-NS-8**

SCALE: N/A	DATE:	DRAWN: AWK	CHECKED: AL
PAGE NO: PG7	DRAWING NO: STAIR BOM	REVISION:	

4

3

2

1

