

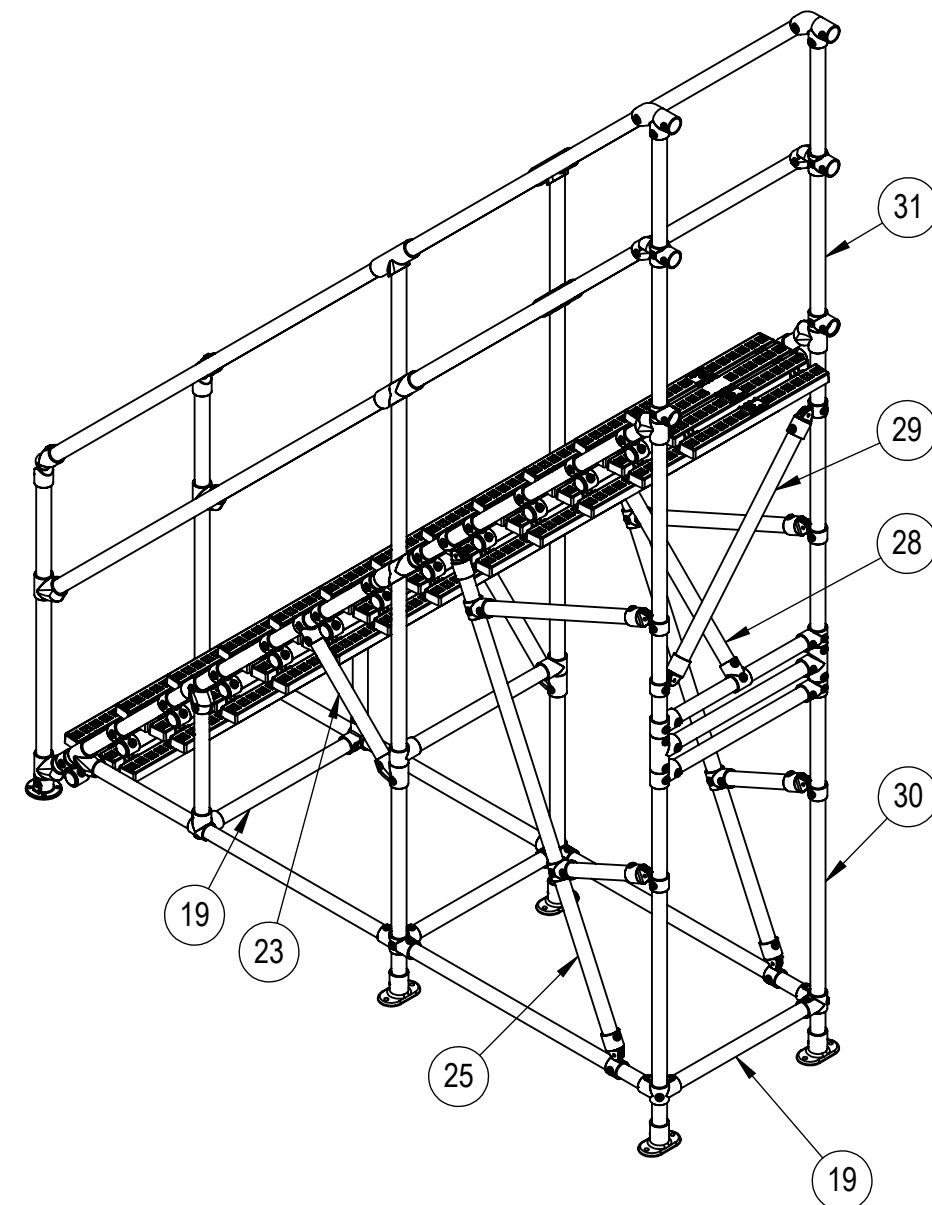
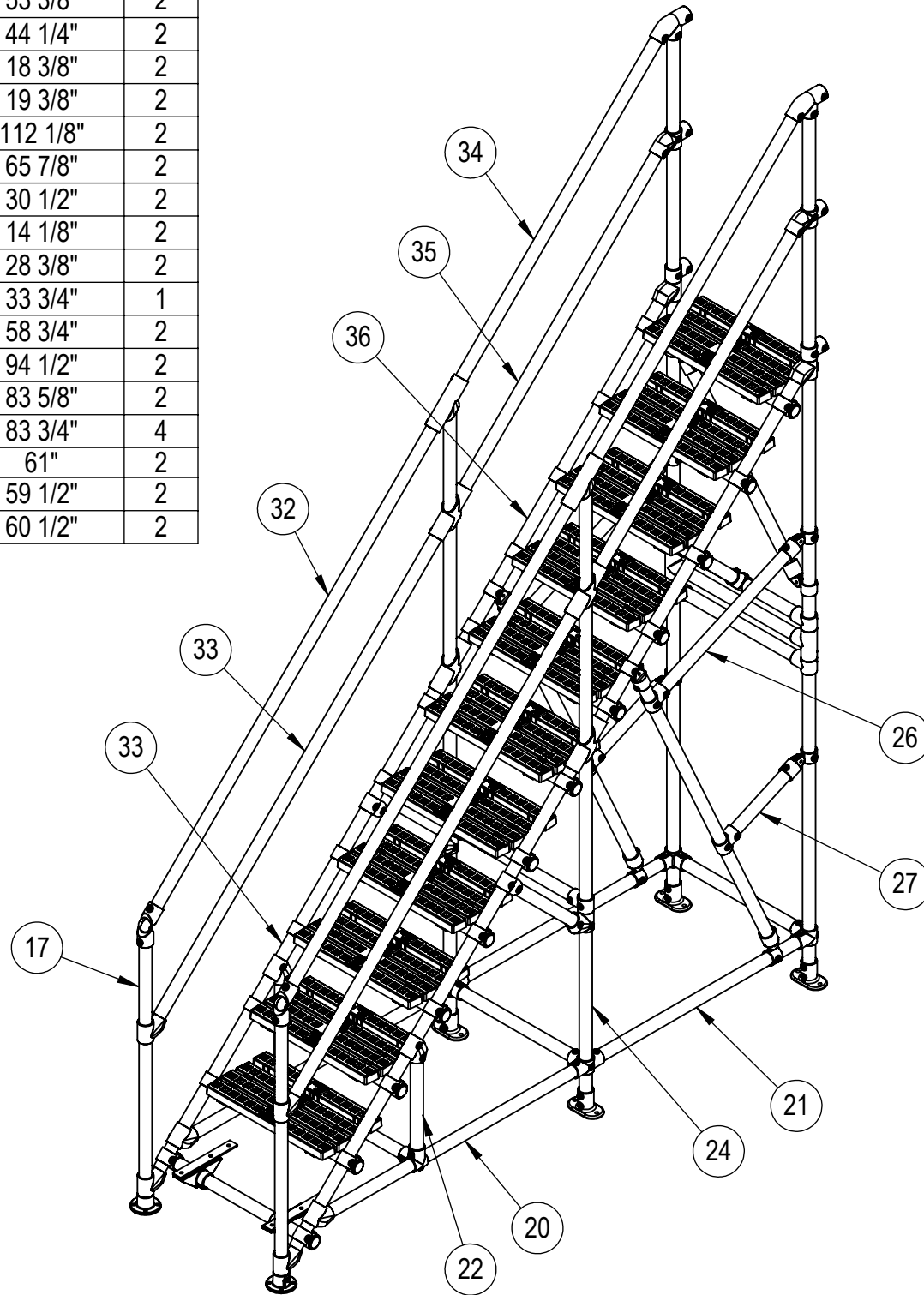
4

3

2

1

ITEM NO.	PART NO.	DESCRIPTION	QTY.
17	G150GS12GA	48 1/8"	2
18	G150GS12GA	30"	12
19	G150GS12GA	26"	7
20	G150GS12GA	53 3/8"	2
21	G150GS12GA	44 1/4"	2
22	G150GS12GA	18 3/8"	2
23	G150GS12GA	19 3/8"	2
24	G150GS12GA	112 1/8"	2
25	G150GS12GA	65 7/8"	2
26	G150GS12GA	30 1/2"	2
27	G150GS12GA	14 1/8"	2
28	G150GS12GA	28 3/8"	2
29	G150GS12GA	33 3/4"	1
30	G150GS12GA	58 3/4"	2
31	G150GS12GA	94 1/2"	2
32	G150GS12GA	83 5/8"	2
33	G150GS12GA	83 3/4"	4
34	G150GS12GA	61"	2
35	G150GS12GA	59 1/2"	2
36	G150GS12GA	60 1/2"	2



CONFIDENTIAL:
 THIS DRAWING AND THE INFORMATION IT CONTAINS IS CONFIDENTIAL. IT MUST NOT BE REPRODUCED, OR COPIED, OR USED FOR ANY OTHER PURPOSE WITHOUT THE WRITTEN PERMISSION OF KEE SAFETY.

REV.	DESCRIPTION	DATE
0	FIRST ISSUE	
REVISIONS		

Kee Safety
 Kee Safety, Inc.
 100 Stradman Street
 Buffalo, NY 14206
 Tel: (716) 896-4949
 Fax: (716) 896-5696
 Toll Free: (800) 851-5181
 www.keesafety.com
 Email: info@keesafety.com

SOLD TO: _____
 END USER: _____
 INSTALL ADDRESS: _____

TITLE: SAP-S-12-NS-8

SCALE	DATE	DRAWN	CHECKED
N/A		AWK	AL

PAGE NO.	DRAWING NO.	REVISION
PG2	STAIR BOM	

4

3

2

1

B

B

A

A

4

3

2

1

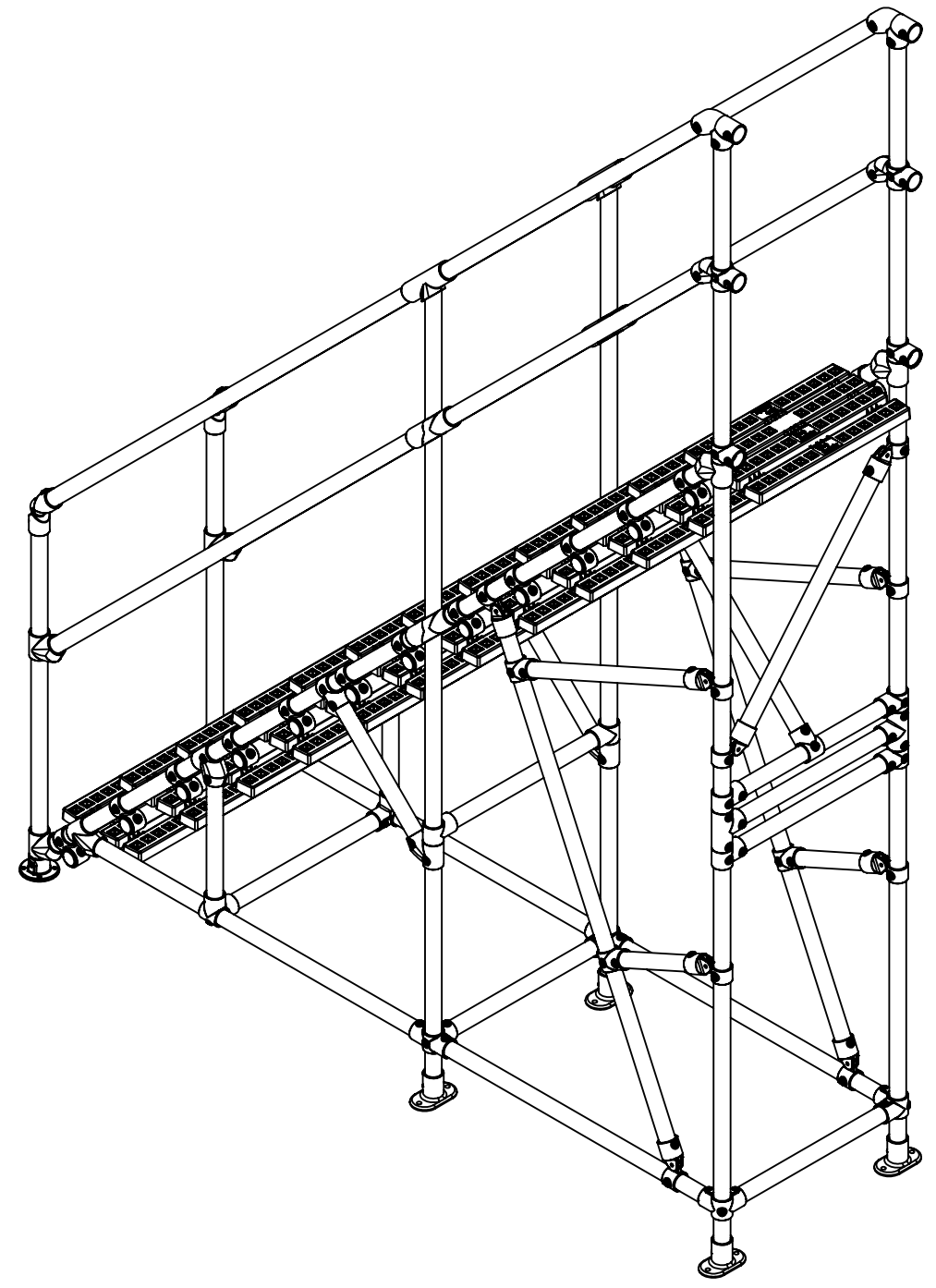
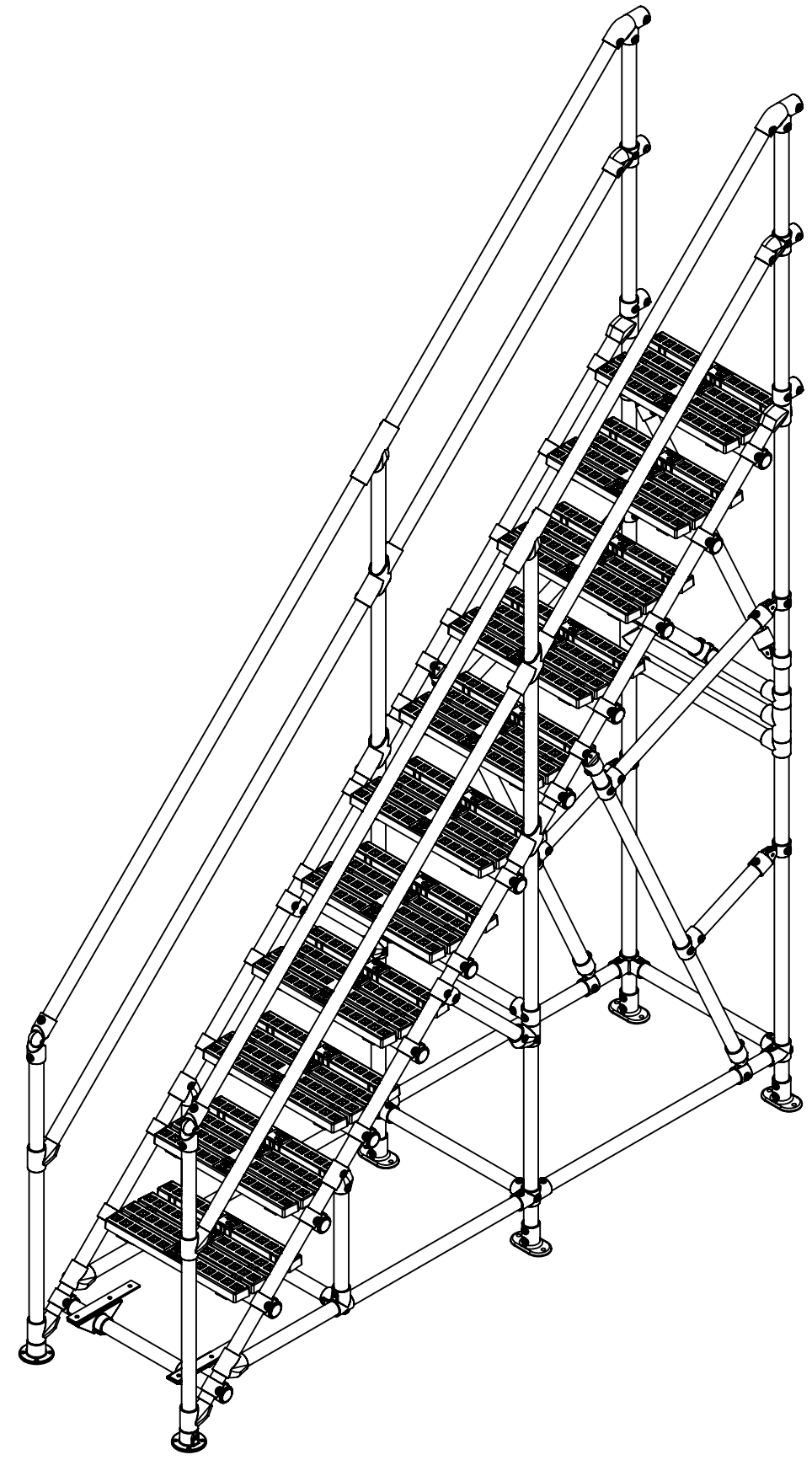
CONFIDENTIAL:
 THIS DRAWING AND THE INFORMATION IT CONTAINS IS CONFIDENTIAL. IT MUST NOT BE REPRODUCED, OR COPIED, OR USED FOR ANY OTHER PURPOSE WITHOUT THE WRITTEN PERMISSION OF KEE SAFETY.

B

B

A

A



REVISIONS	
0	FIRST ISSUE

Kee Safety
 Kee Safety, Inc.
 100 Stradman Street
 Buffalo, NY 14206
 Tel: (716) 896-4949
 Fax: (716) 896-5696
 Toll Free: (800) 851-5181
 www.keesafety.com
 Email: info@keesafety.com

SOLD TO: _____
 END USER: _____
 INSTALL ADDRESS: _____

TITLE: **SAP-S-12-NS-8**

SCALE: N/A	DATE:	DRAWN: AWK	CHECKED: AL
PAGE NO: PG4	DRAWING NO: STAIR BOM	REVISION:	

4

3

2

1

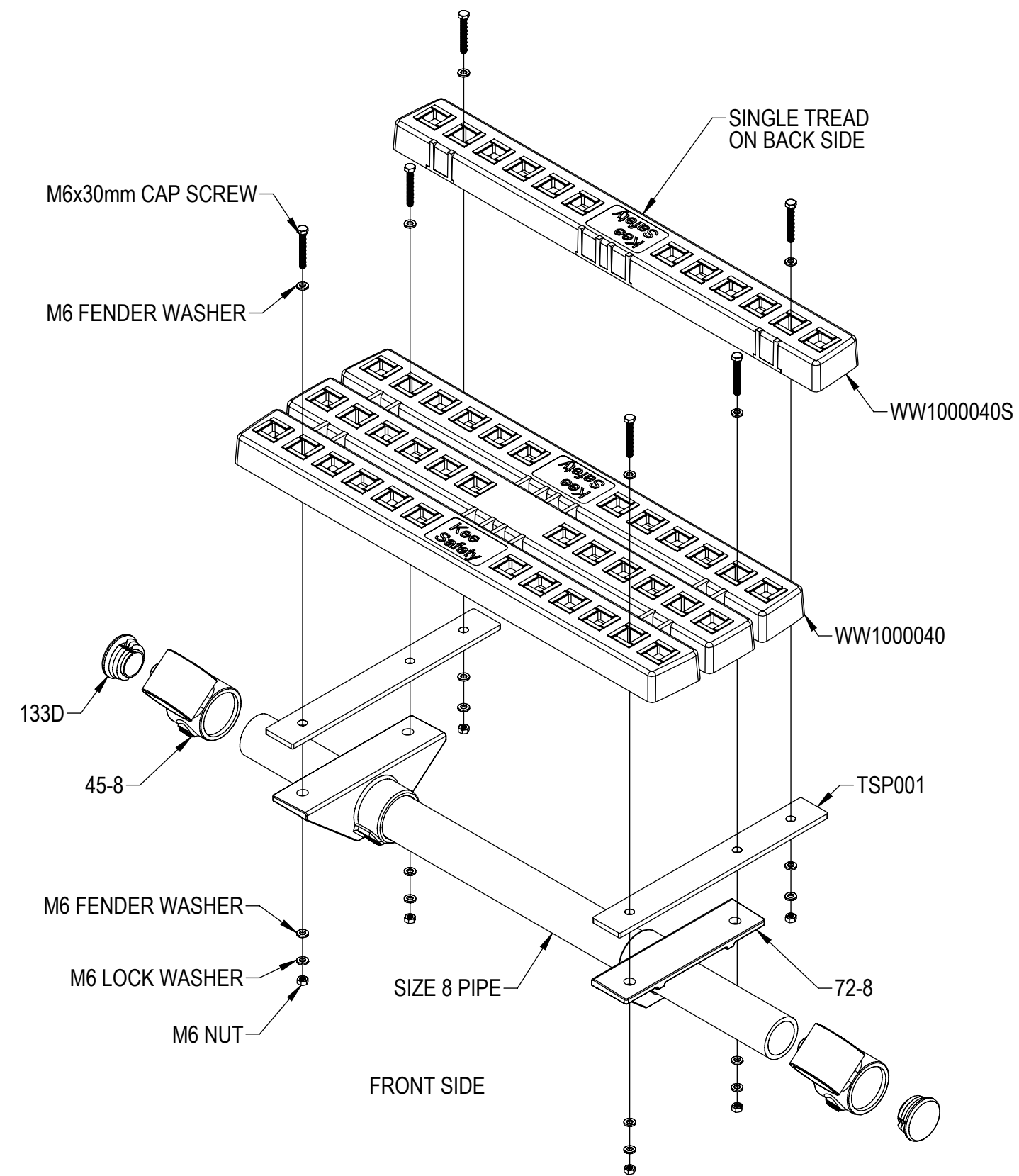
4

3

2

1

CONFIDENTIAL:
 THIS DRAWING AND THE INFORMATION IT CONTAINS IS CONFIDENTIAL. IT MUST NOT BE REPRODUCED, OR COPIED, OR USED FOR ANY OTHER PURPOSE WITHOUT THE WRITTEN PERMISSION OF KEE SAFETY.



QTY: 12
 SINGLE TREAD SHOULD BE BACK SIDE WHEN INSTALLING SAP-STEP

TREAD FIXING DETAIL FOR STEP
 NOT TO SCALE

REVISIONS	
0	FIRST ISSUE

Kee Safety
 Kee Safety, Inc.
 100 Stradman Street
 Buffalo, NY 14206
 Tel: (716) 896-4949
 Fax: (716) 896-5696
 Toll Free: (800) 851-5181
 www.keesafety.com
 Email: info@keesafety.com

SOLD TO:
 END USER:
 INSTALL ADDRESS:

TITLE: SAP-S-12-NS-8

SCALE: N/A	DATE:	DRAWN: AWK	CHECKED: AL
PAGE NO: PG5	DRAWING NO: STAIR BOM	REVISION:	

4

3

2

1

B

B

A

A

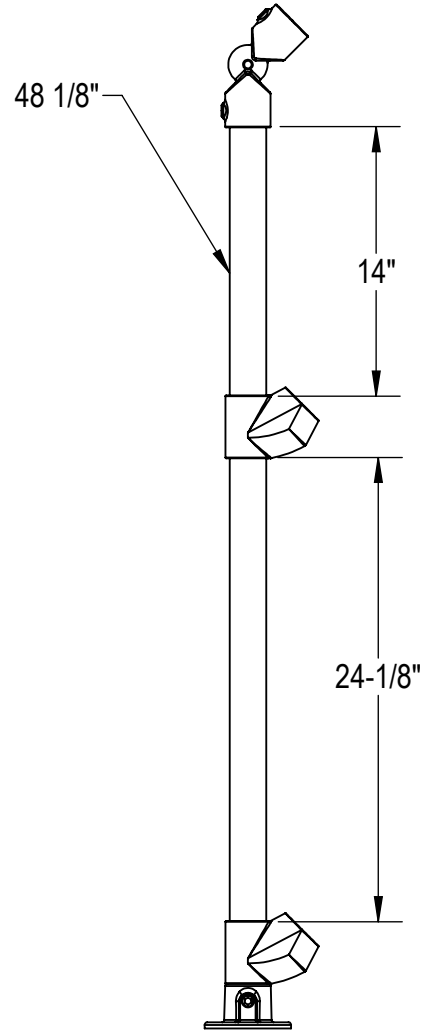
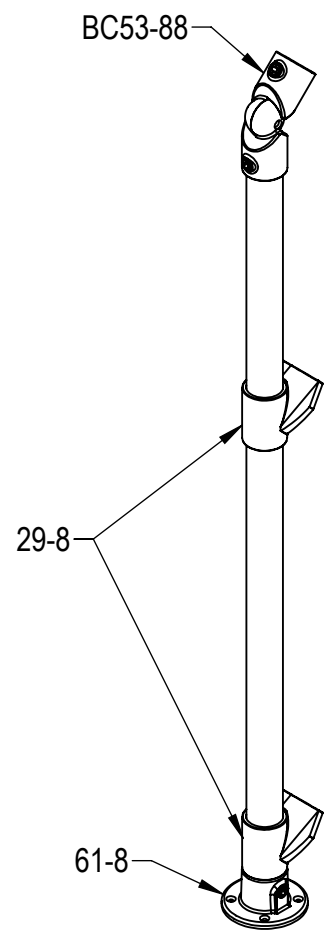
4

3

2

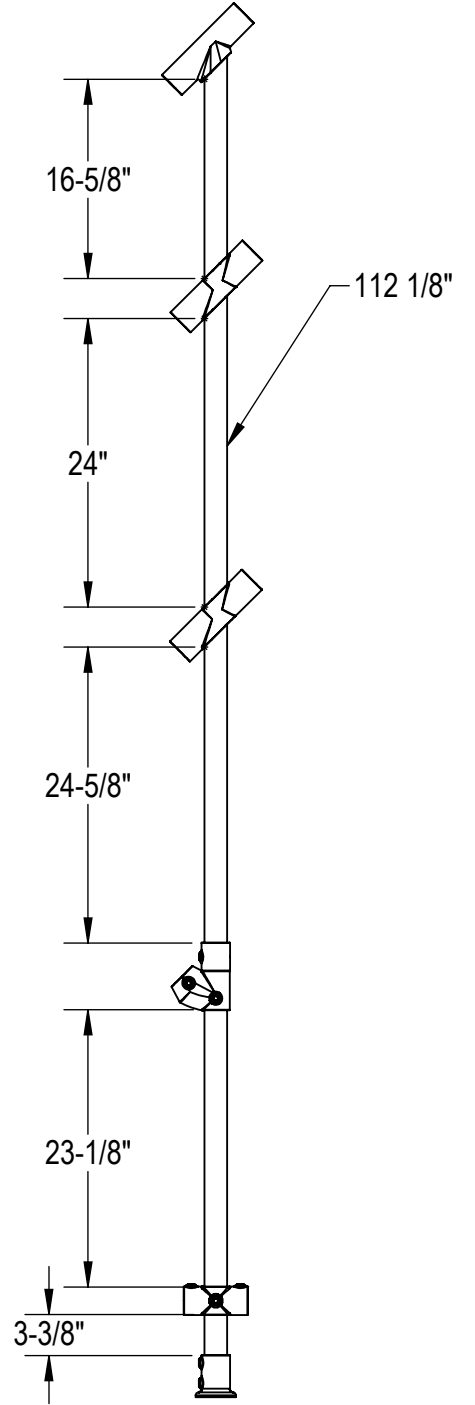
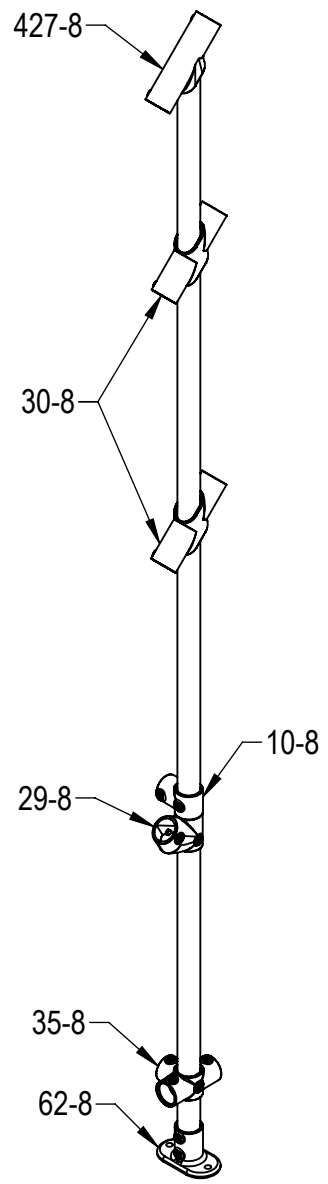
1

CONFIDENTIAL:
 THIS DRAWING AND THE INFORMATION IT CONTAINS IS CONFIDENTIAL. IT MUST NOT BE REPRODUCED, OR COPIED, OR USED FOR ANY OTHER PURPOSE WITHOUT THE WRITTEN PERMISSION OF KEE SAFETY.



FRONT UPRIGHT DETAIL
 NOT TO SCALE

QTY: 2



MIDDLE UPRIGHT DETAIL
 NOT TO SCALE

QTY: 2

REVISIONS	DATE	BY	DESCRIPTION
0			FIRST ISSUE

Kee Safety
 Kee Safety, Inc.
 100 Stradman Street
 Buffalo, NY 14206
 Tel: (716) 896-4949
 Fax: (716) 896-5696
 Toll Free: (800) 851-5181
 www.keesafety.com
 Email: info@keesafety.com

SOLD TO: _____
 END USER: _____
 INSTALL ADDRESS: _____

TITLE: SAP-S-12-NS-8

SCALE: N/A	DATE:	DRAWN: AWK	CHECKED: AL
PAGE NO: PG6	DRAWING NO: STAIR BOM	REVISION:	

4

3

2

1

B

B

A

A

4

3

2

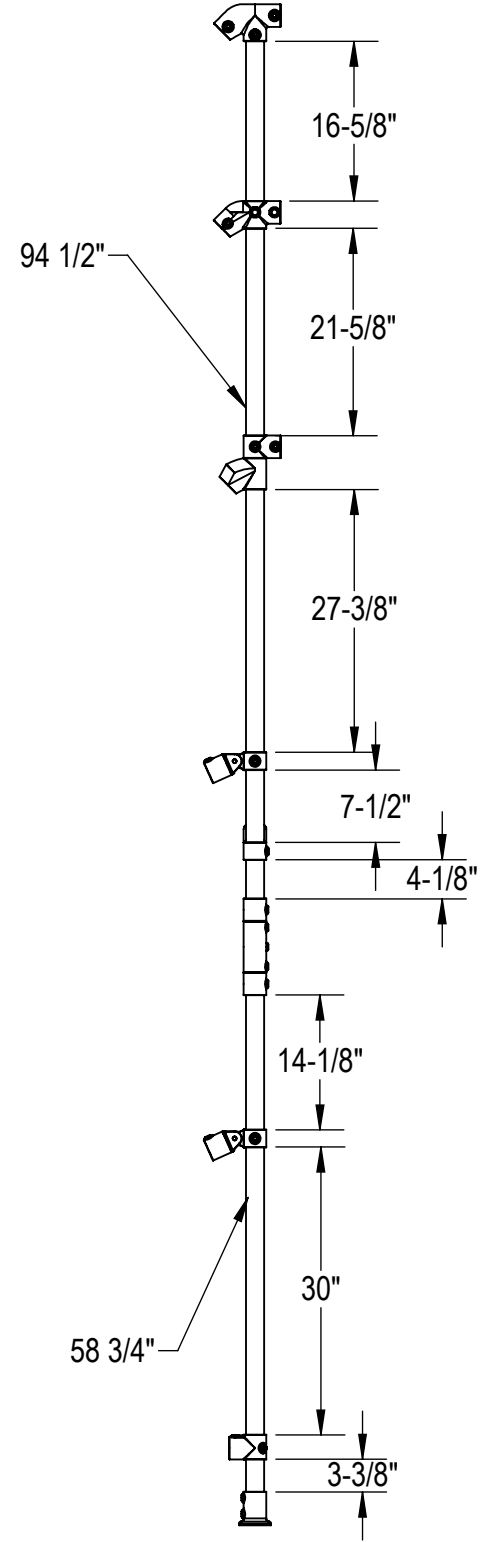
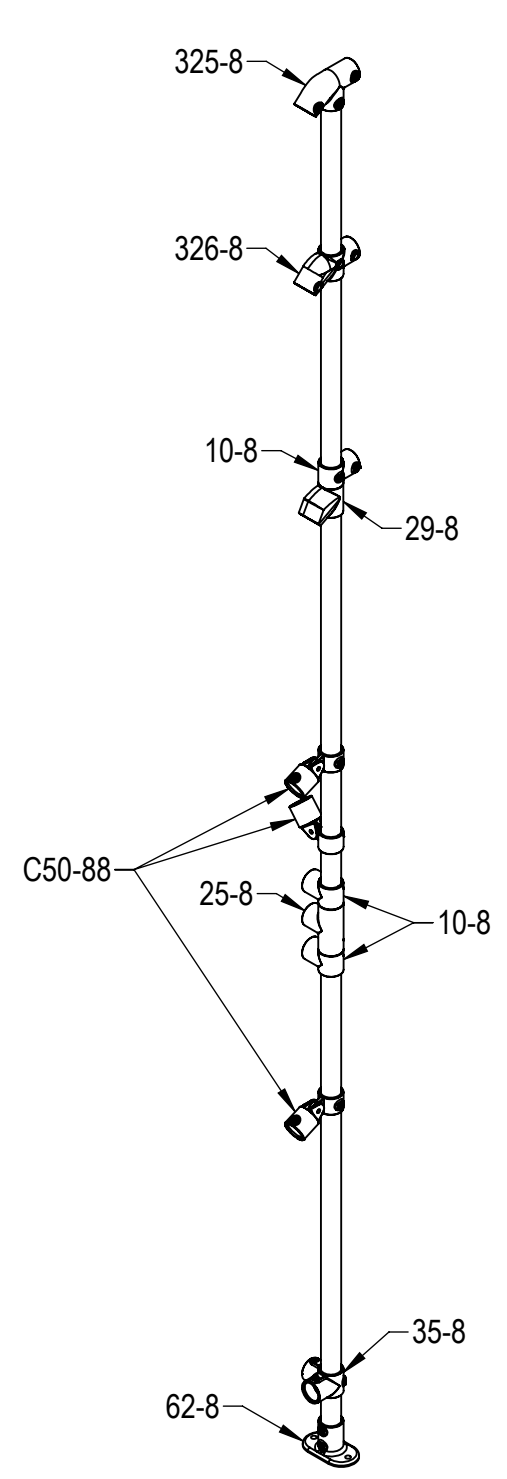
1

B

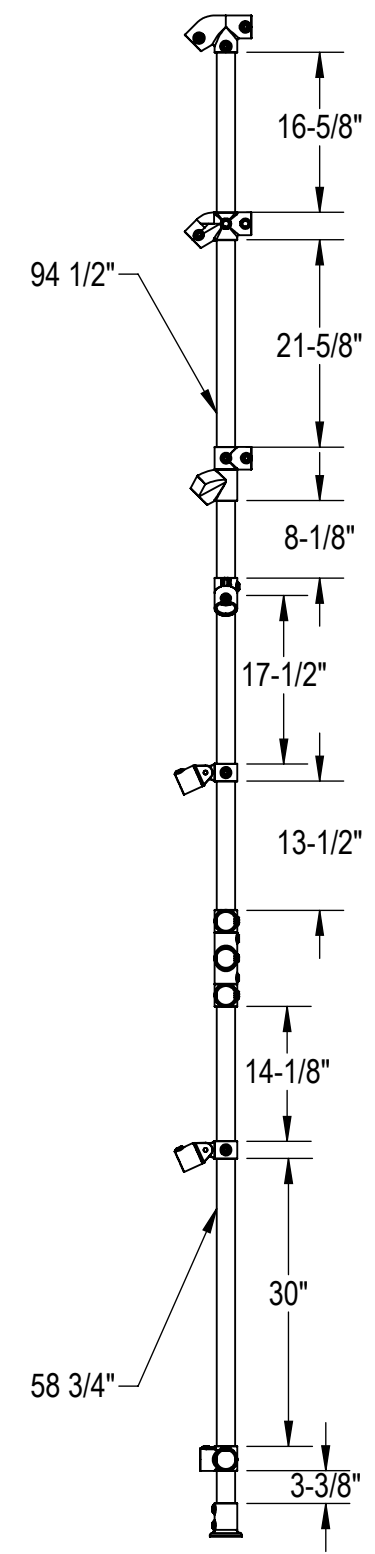
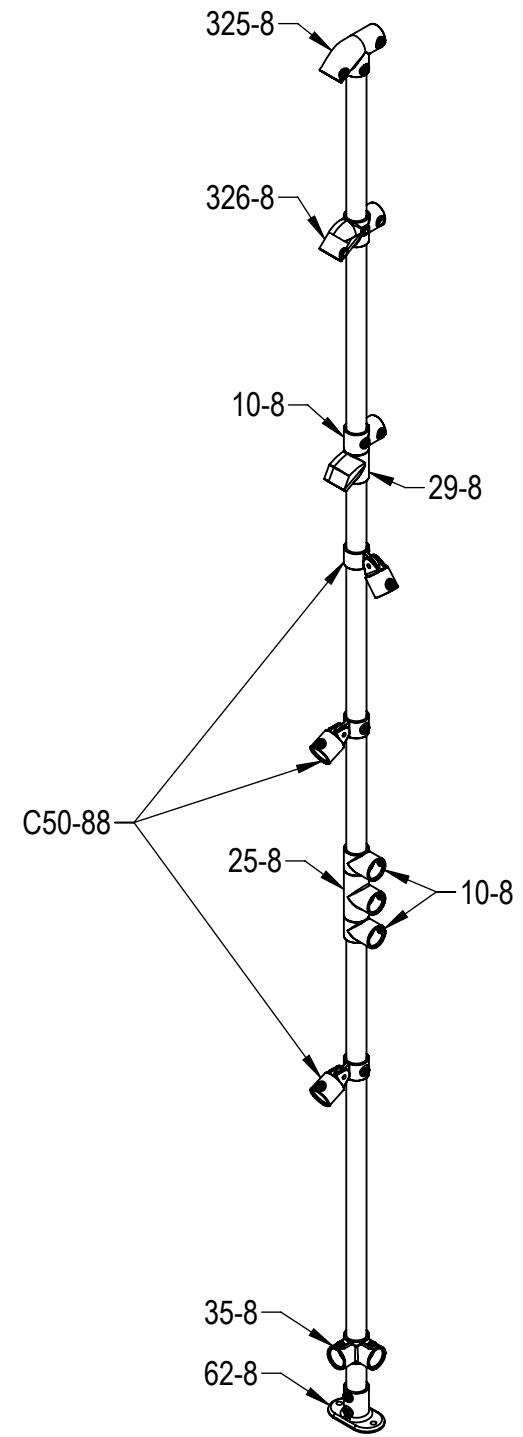
B

A

A



RIGHT REAR UPRIGHT DETAIL
NOT TO SCALE



LEFT REAR UPRIGHT DETAIL
NOT TO SCALE

CONFIDENTIAL:
THIS DRAWING AND THE INFORMATION IT CONTAINS IS CONFIDENTIAL. IT MUST NOT BE REPRODUCED, OR COPIED, OR USED FOR ANY OTHER PURPOSE WITHOUT THE WRITTEN PERMISSION OF KEE SAFETY.

REVISIONS	
0	FIRST ISSUE

Kee Safety
Kee Safety, Inc.
100 Stradman Street
Buffalo, NY 14206
Tel: (716) 896-4949
Fax: (716) 896-5696
Toll Free: (800) 851-5181
www.keesafety.com
Email: info@keesafety.com

SOLD TO: _____
END USER: _____
INSTALL ADDRESS: _____

TITLE: SAP-S-12-NS-8

SCALE	DATE	DRAWN	CHECKED
N/A		AWK	AL
PAGE NO.	DRAWING NO.	REVISION	
PG7	STAIR BOM		

4

3

2

1

4

3

2

1

CONFIDENTIAL:
 THIS DRAWING AND THE INFORMATION IT CONTAINS IS CONFIDENTIAL. IT MUST NOT BE REPRODUCED, OR COPIED, OR USED FOR ANY OTHER PURPOSE WITHOUT THE WRITTEN PERMISSION OF KEE SAFETY.

REVISIONS	
0	FIRST ISSUE



Kee Safety, Inc.
 100 Stradman Street
 Buffalo, NY 14206
 Tel: (716) 896-4949
 Fax: (716) 896-5696
 Toll Free: (800) 851-5181
 www.keesafety.com
 Email: info@keesafety.com

SOLD TO: _____

END USER: _____

INSTALL ADDRESS: _____

TITLE: SAP-S-12-NS-8

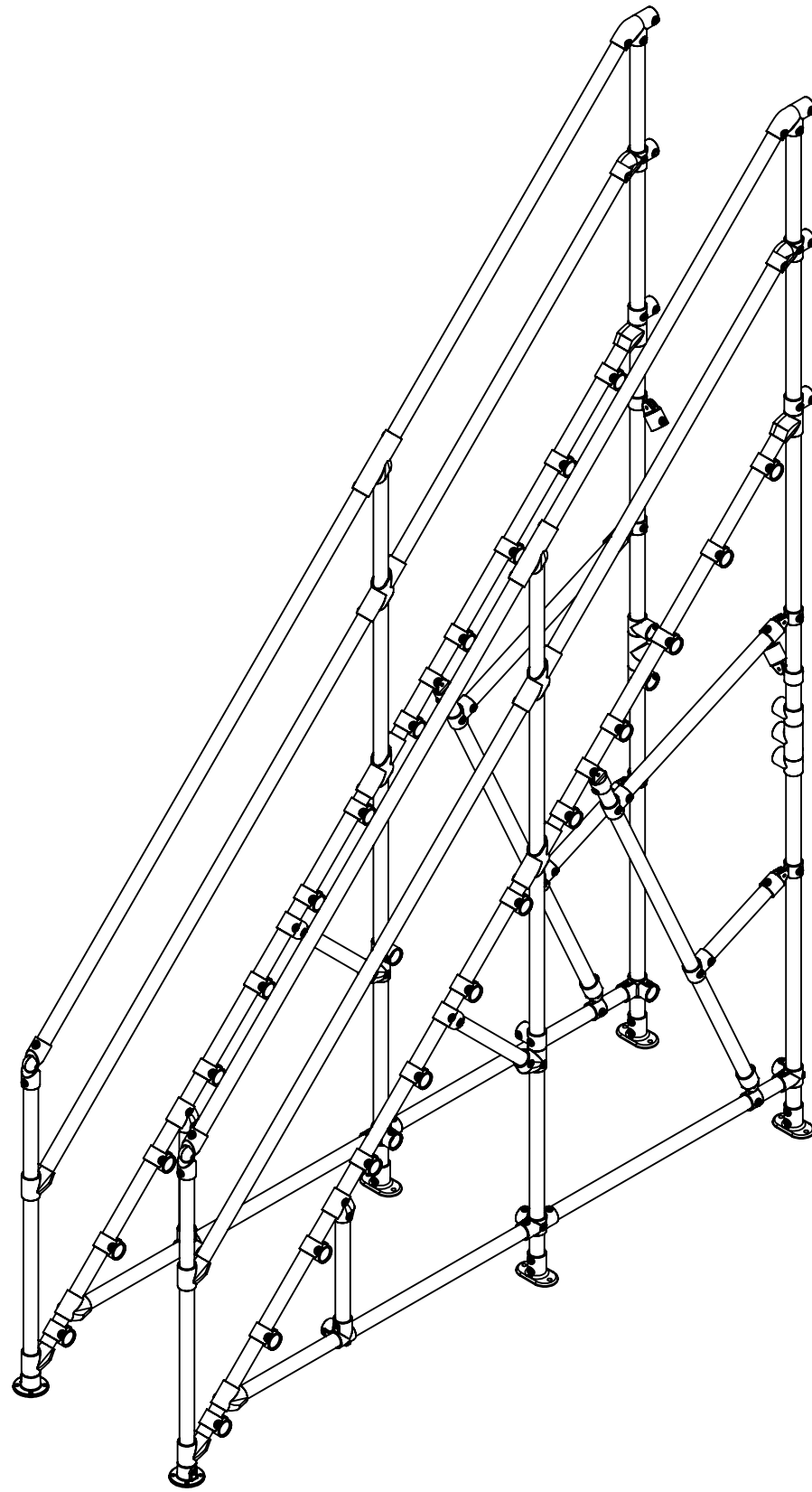
SCALE: N/A	DATE:	DRAWN: AWK	CHECKED: AL
PAGE NO: PG9	DRAWING NO: STAIR BOM	REVISION:	

B

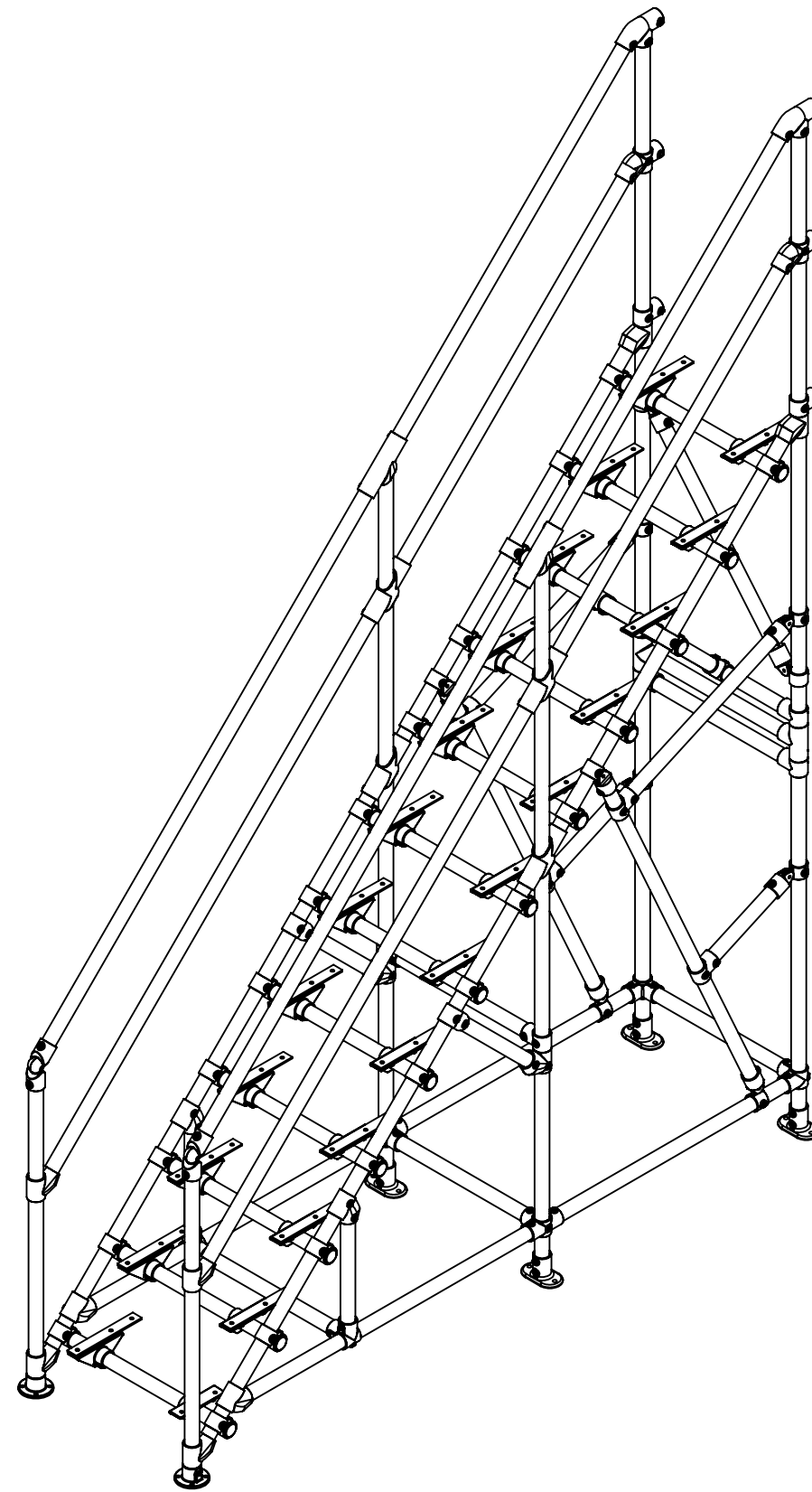
B

A

A



12 STEP ASSEMBLY - 3
 NOT TO SCALE



12 STEP ASSEMBLY - 4
 NOT TO SCALE

4

3

2

1

