

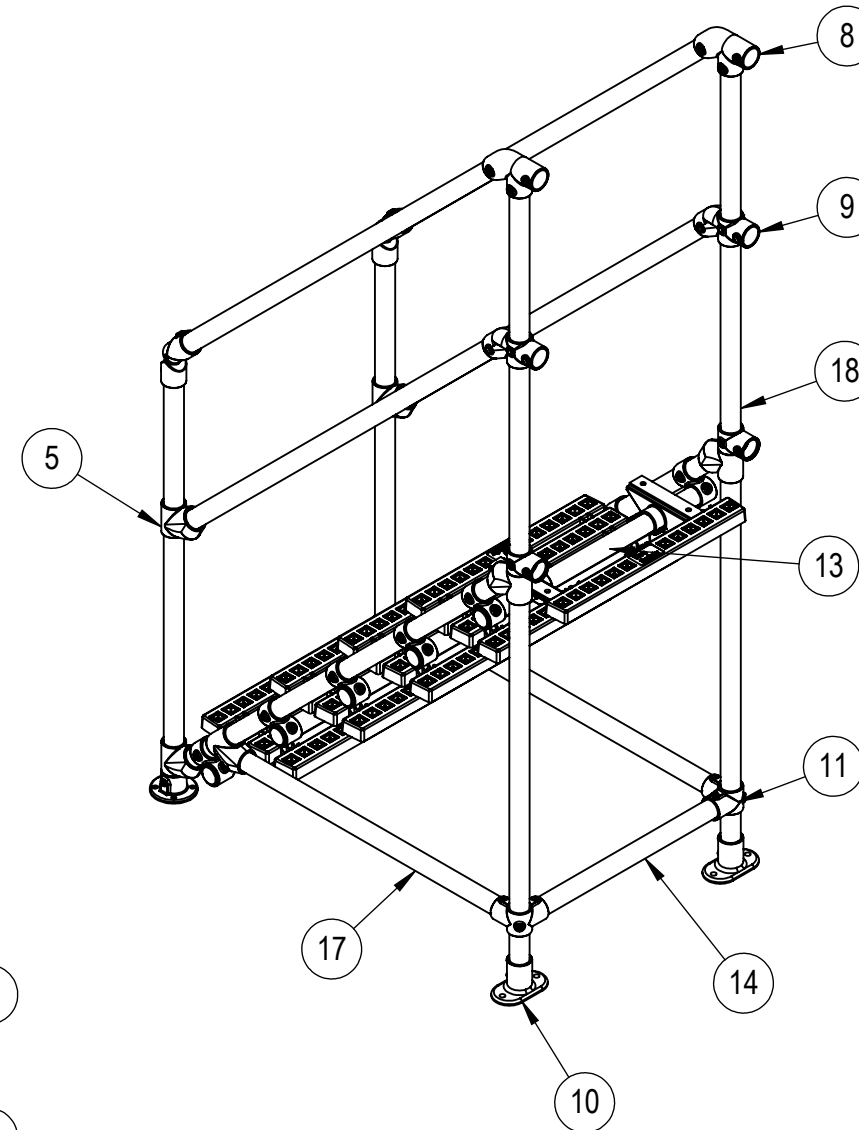
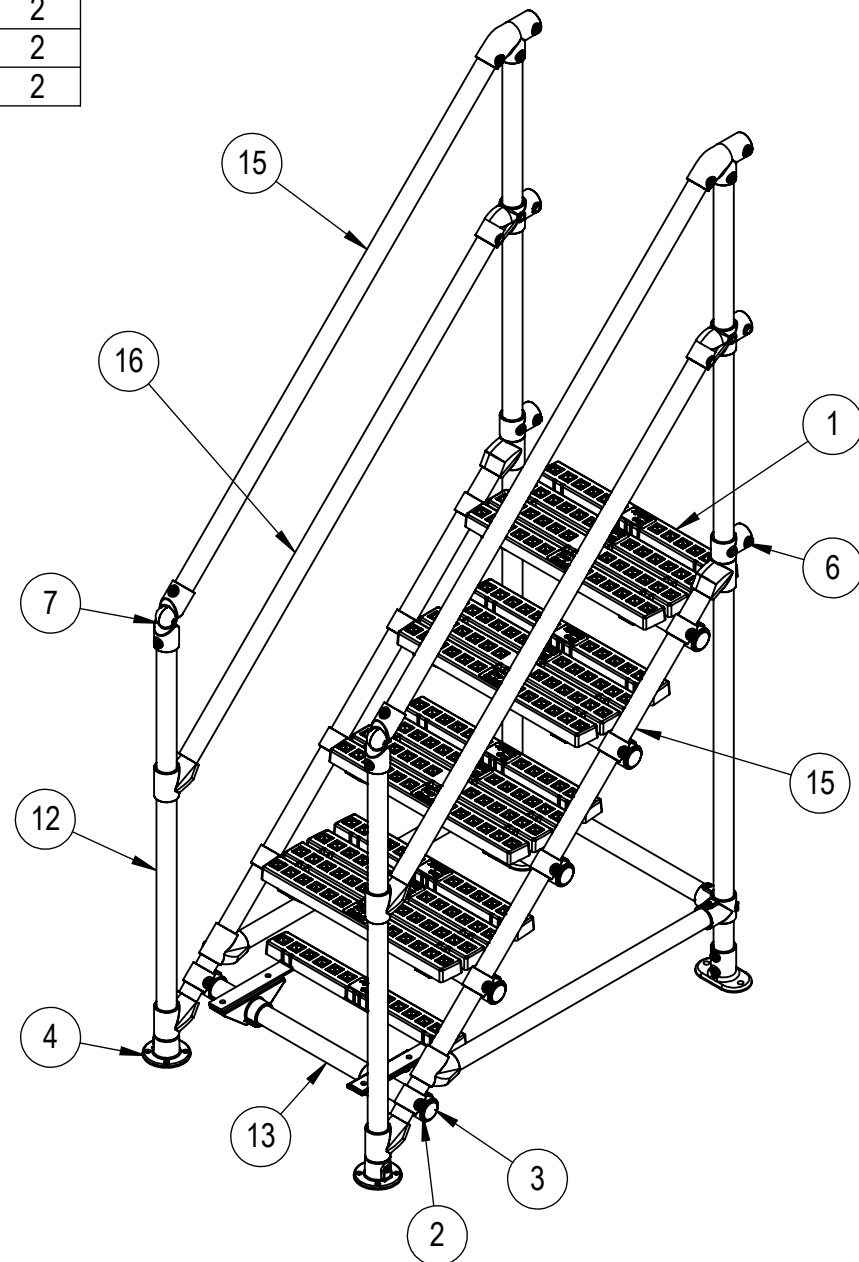
4

3

2

1

ITEM NO.	PART NO.	DESCRIPTION	QTY.
1	SAP-STEP		5
2	45-8		10
3	133D		10
4	61-8		2
5	29-8		8
6	10-8		2
7	BC53-88		2
8	325-8		2
9	326-8		2
10	62-8		2
11	21-8		2
12	G150GS12GA	48-1/8"	2
13	G150GS12GA	30"	5
14	G150GS12GA	26"	1
15	G150GS12GA	60"	4
16	G150GS12GA	59-3/8"	2
17	G150GS12GA	36-3/8"	2
18	G150GS12GA	92-7/8"	2



**CONFIDENTIAL:**  
THIS DRAWING AND THE INFORMATION IT CONTAINS IS CONFIDENTIAL. IT MUST NOT BE REPRODUCED, OR COPIED, OR USED FOR ANY OTHER PURPOSE WITHOUT THE WRITTEN PERMISSION OF KEE SAFETY.

REV	DESCRIPTION
0	FIRST ISSUE
REVISIONS	

**Kee Safety**  
Kee Safety, Inc.  
100 Stradman Street  
Buffalo, NY 14206  
Tel: (716) 896-4949  
Fax: (716) 896-5696  
Toll Free: (800) 851-5181  
www.keesafety.com  
Email: info@keesafety.com

SOLD TO:

END USER:

INSTALL ADDRESS:

TITLE: SAP-S-5-NS-8

SCALE	DATE	DRAWN	CHECKED
N/A		AWK	AL
PG1	STAIR BOM		

4

3

2

1

B

B

A

A

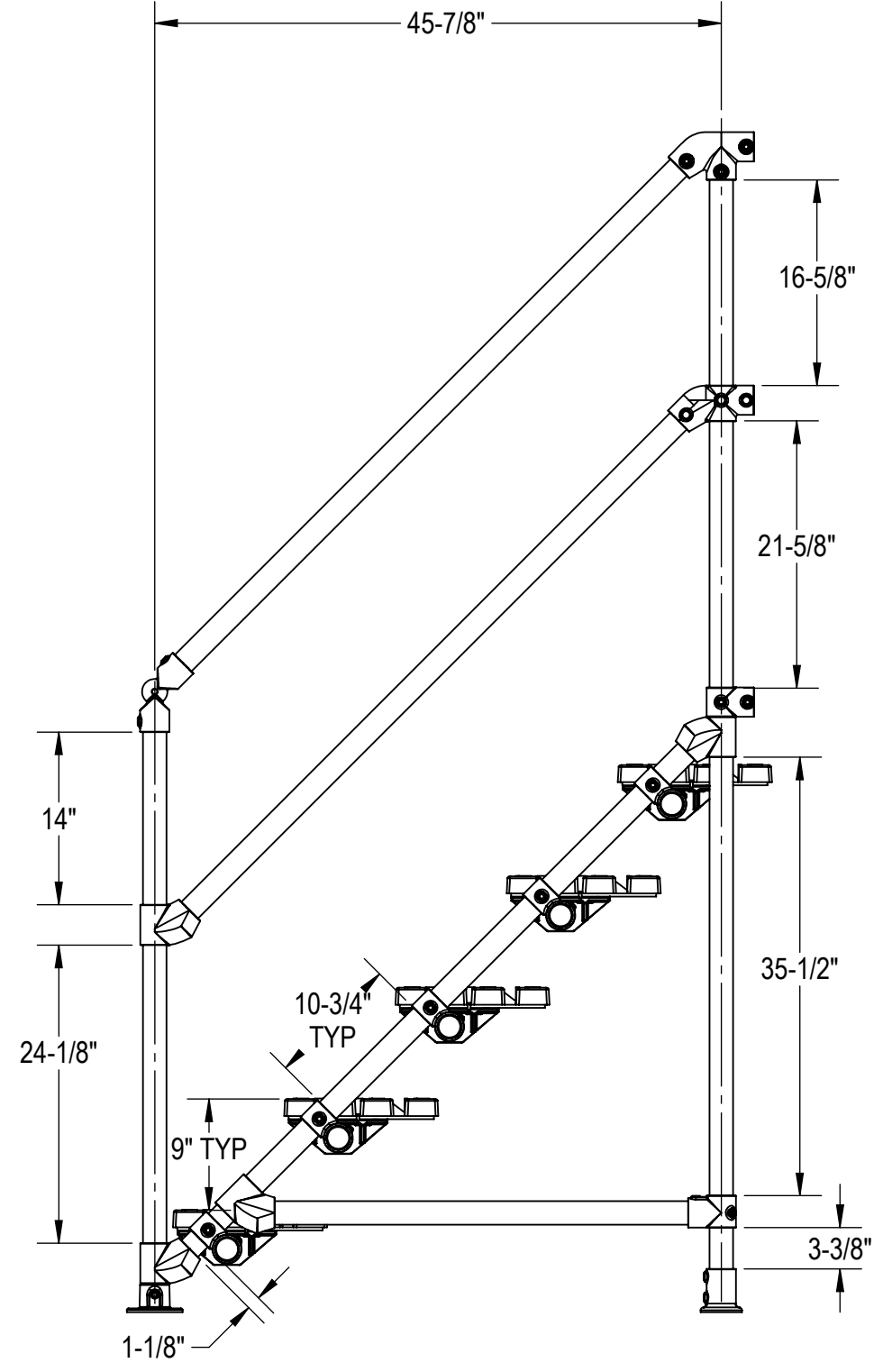
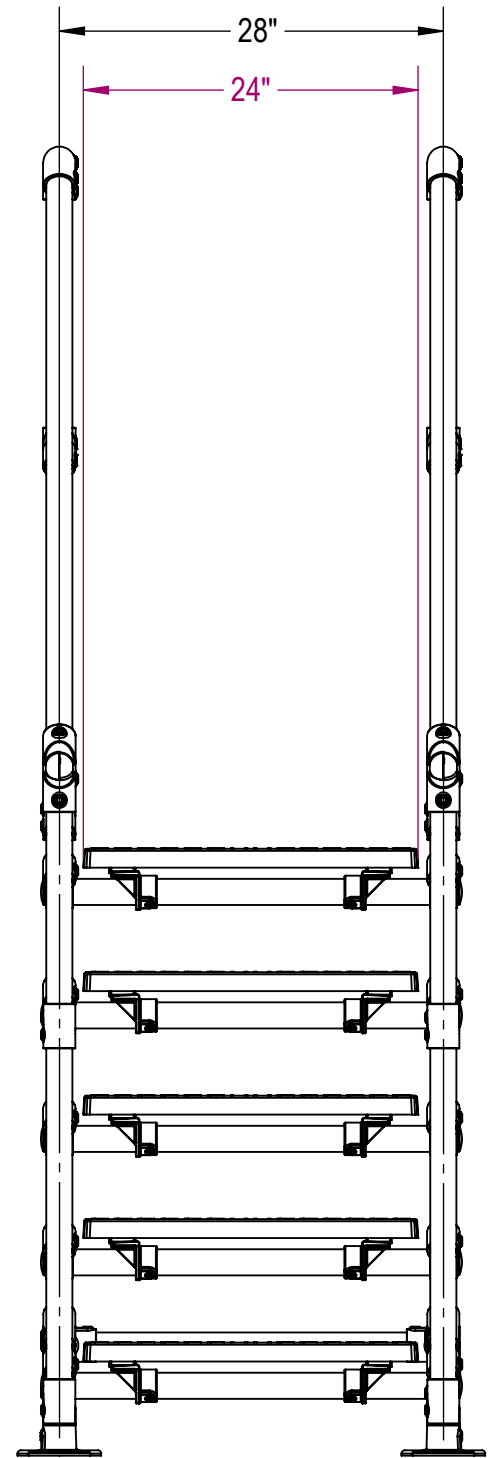
4

3

2

1

**CONFIDENTIAL:**  
 THIS DRAWING AND THE INFORMATION IT CONTAINS IS CONFIDENTIAL. IT MUST NOT BE REPRODUCED, OR COPIED, OR USED FOR ANY OTHER PURPOSE WITHOUT THE WRITTEN PERMISSION OF KEE SAFETY.



REVISIONS	
0	FIRST ISSUE

**Kee Safety**  
 Kee Safety, Inc.  
 100 Stradman Street  
 Buffalo, NY 14206  
 Tel: (716) 896-4949  
 Fax: (716) 896-5696  
 Toll Free: (800) 851-5181  
 www.keesafety.com  
 Email: info@keesafety.com

SOLD TO: \_\_\_\_\_  
 END USER: \_\_\_\_\_  
 INSTALL ADDRESS: \_\_\_\_\_

TITLE: **SAP-S-5-NS-8**

SCALE: N/A	DATE:	DRAWN: AWK	CHECKED: AL
PAGE NO: PG2	DRAWING NO: STAIR BOM	REVISION:	

4

3

2

1

B

B

A

A

4

3

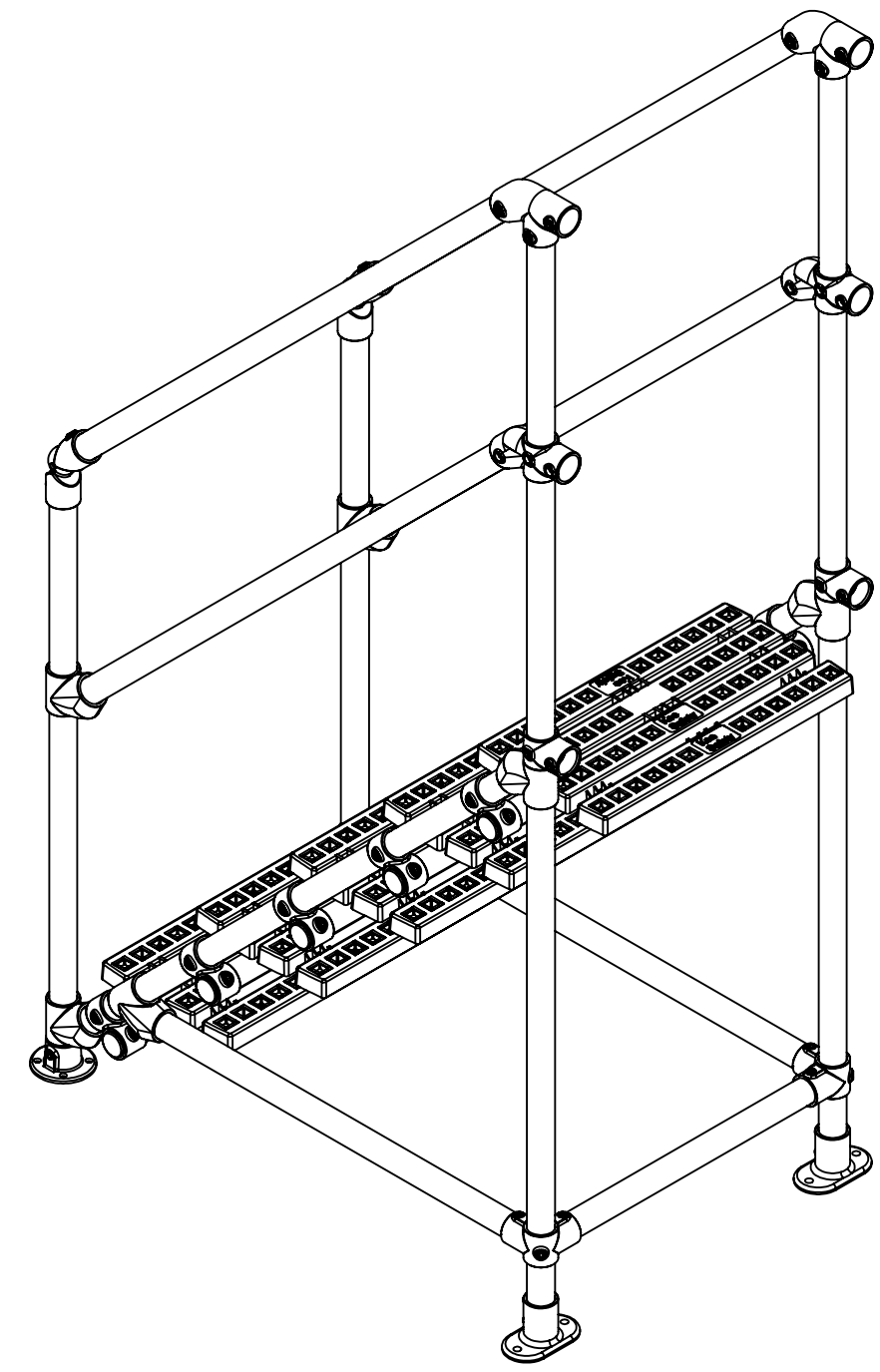
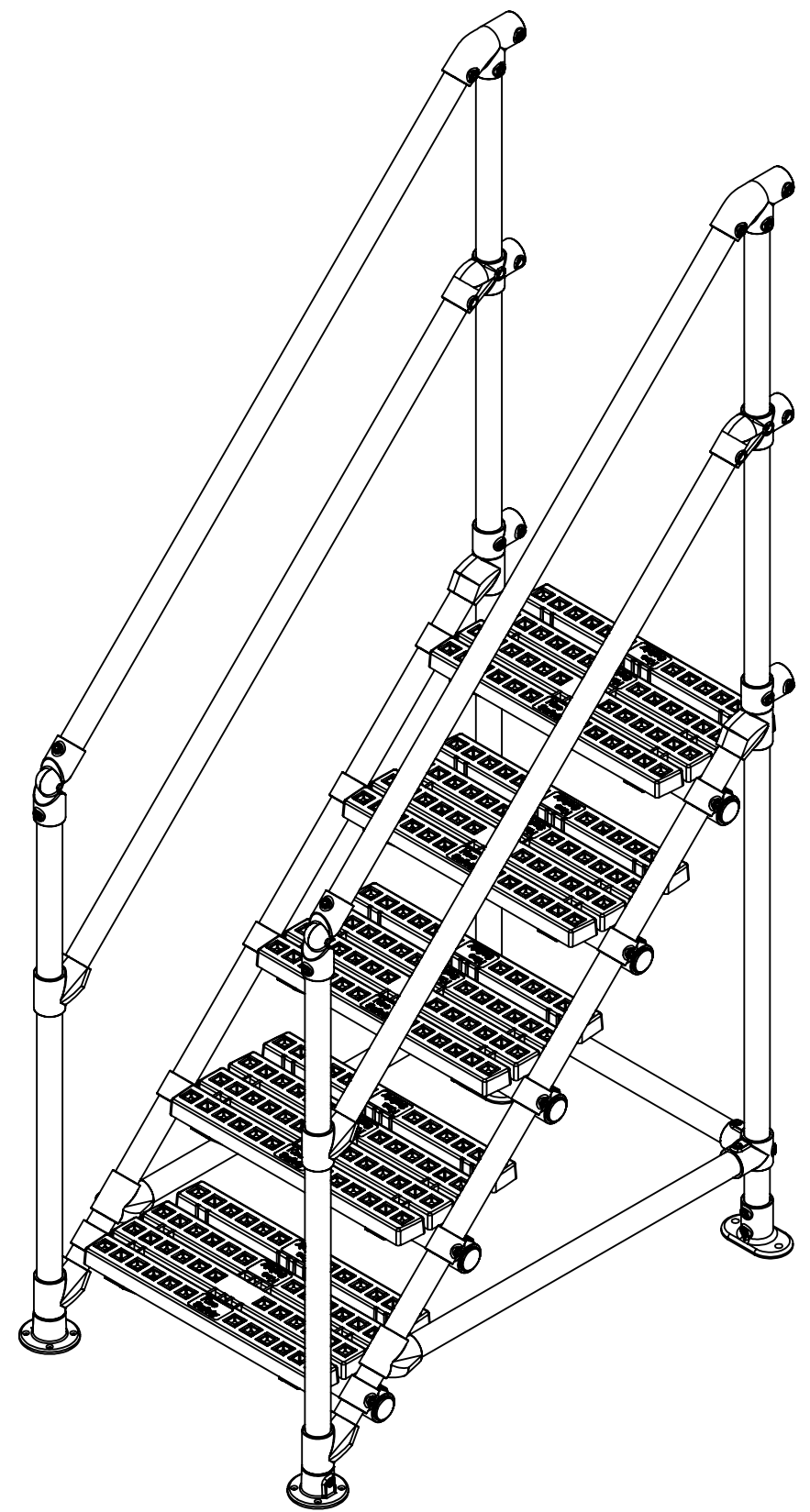
2

1

**CONFIDENTIAL:**  
 THIS DRAWING AND THE INFORMATION IT CONTAINS IS CONFIDENTIAL. IT MUST NOT BE REPRODUCED, OR COPIED, OR USED FOR ANY OTHER PURPOSE WITHOUT THE WRITTEN PERMISSION OF KEE SAFETY.

B

B



A

A

REVISIONS	
0	FIRST ISSUE

**Kee Safety**  
 Kee Safety, Inc.  
 100 Stradman Street  
 Buffalo, NY 14206  
 Tel: (716) 896-4949  
 Fax: (716) 896-5696  
 Toll Free: (800) 851-5181  
 www.keesafety.com  
 Email: info@keesafety.com

SOLD TO: \_\_\_\_\_  
 END USER: \_\_\_\_\_  
 INSTALL ADDRESS: \_\_\_\_\_

TITLE: **SAP-S-5-NS-8**

SCALE: N/A	DATE:	DRAWN: AWK	CHECKED: AL
PAGE NO: PG3	DRAWING NO: STAIR BOM	REVISION:	

4

3

2

1

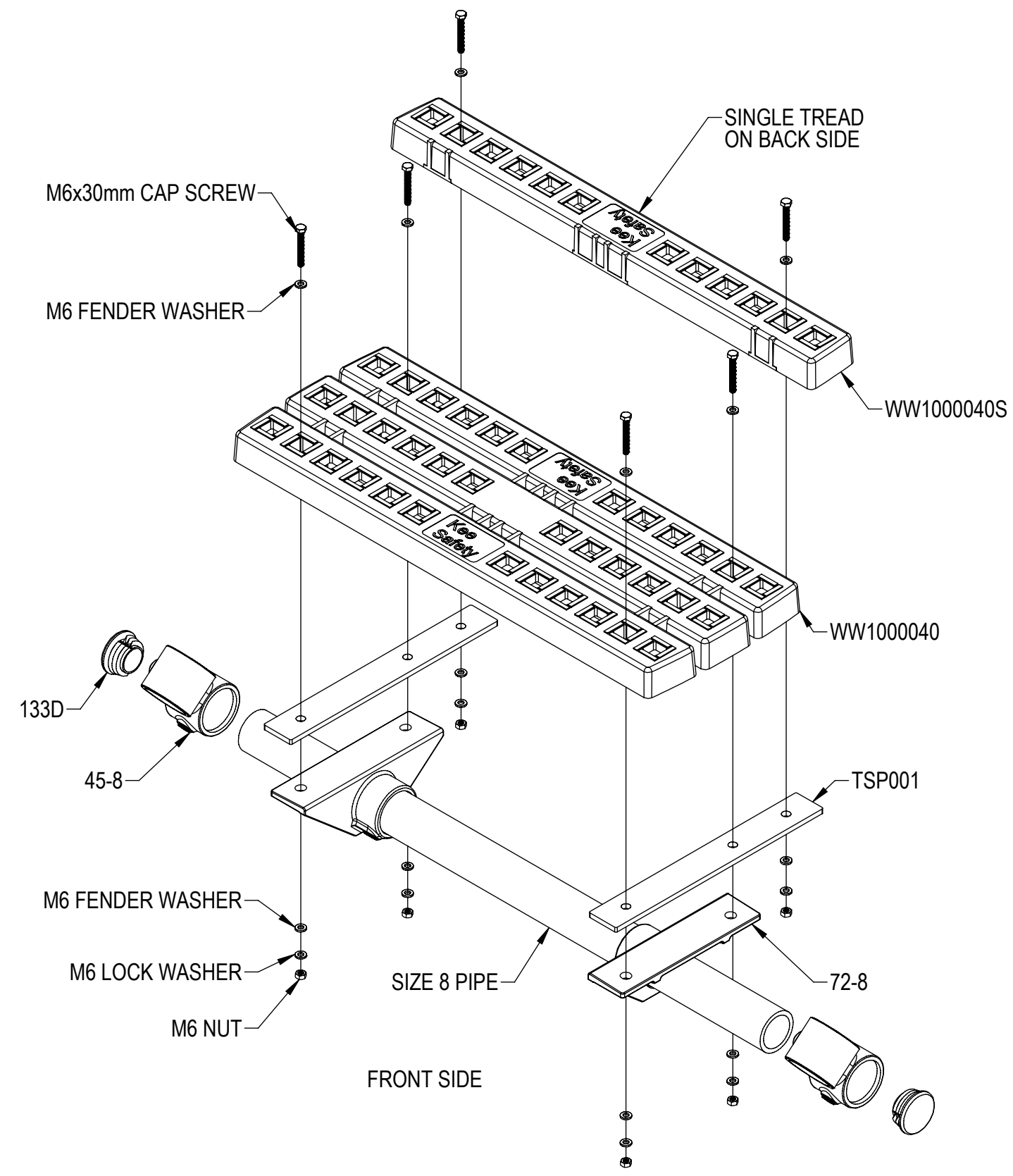
4

3

2

1

**CONFIDENTIAL:**  
 THIS DRAWING AND THE INFORMATION IT CONTAINS IS CONFIDENTIAL. IT MUST NOT BE REPRODUCED, OR COPIED, OR USED FOR ANY OTHER PURPOSE WITHOUT THE WRITTEN PERMISSION OF KEE SAFETY.



TREAD FIXING DETAIL FOR STEP  
 NOT TO SCALE

**QTY: 5**  
 SINGLE TREAD SHOULD BE BACK SIDE WHEN INSTALLING SAP-STEP

REVISIONS	
0	FIRST ISSUE

**Kee Safety**  
 Kee Safety, Inc.  
 100 Stradman Street  
 Buffalo, NY 14206  
 Tel: (716) 896-4949  
 Fax: (716) 896-5696  
 Toll Free: (800) 851-5181  
 www.keesafety.com  
 Email: info@keesafety.com

SOLD TO: \_\_\_\_\_  
 END USER: \_\_\_\_\_  
 INSTALL ADDRESS: \_\_\_\_\_

TITLE: **SAP-S-5-NS-8**

SCALE: N/A	DATE:	DRAWN: AWK	CHECKED: AL
PAGE NO: PG4	DRAWING NO: STAIR BOM	REVISION:	

4

3

2

1

B

B

A

A



4

3

2

1

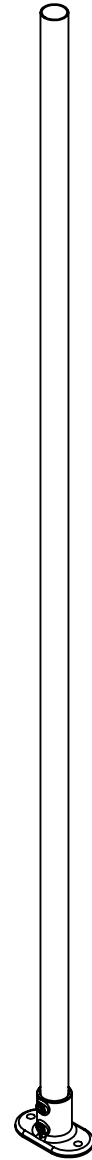
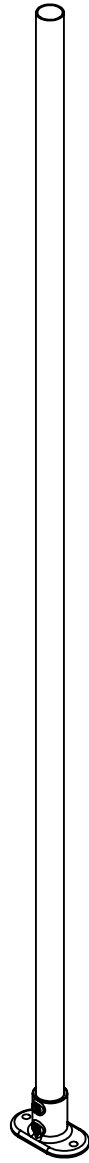
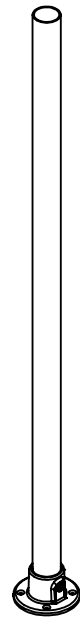
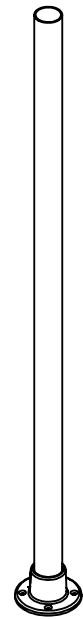
**CONFIDENTIAL:**  
 THIS DRAWING AND THE INFORMATION IT CONTAINS IS CONFIDENTIAL. IT MUST NOT BE REPRODUCED, OR COPIED, OR USED FOR ANY OTHER PURPOSE WITHOUT THE WRITTEN PERMISSION OF KEE SAFETY.

B

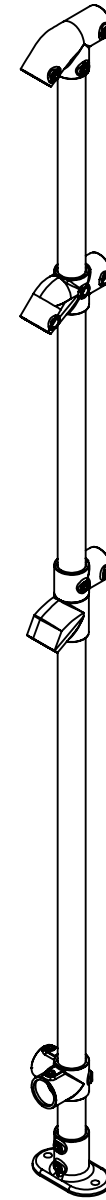
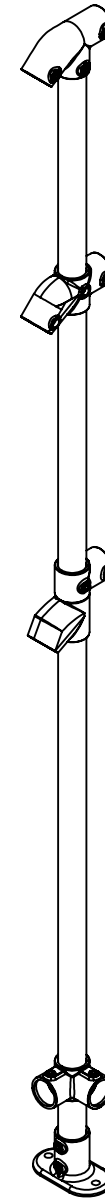
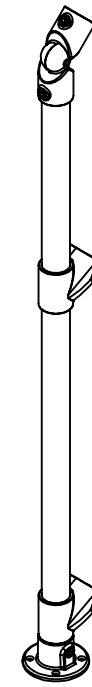
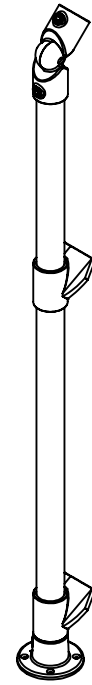
B

A

A



**5 STEP ASSEMBLY - 1**  
 NOT TO SCALE



**5 STEP ASSEMBLY - 2**  
 NOT TO SCALE

4

3

2

1

REVISIONS	
0	FIRST ISSUE



Kee Safety, Inc.  
 100 Stradman Street  
 Buffalo, NY 14206  
 Tel: (716) 896-4949  
 Fax: (716) 896-5696  
 Toll Free: (800) 851-5181  
 www.keesafety.com  
 Email: info@keesafety.com

SOLD TO: \_\_\_\_\_

END USER: \_\_\_\_\_

INSTALL ADDRESS: \_\_\_\_\_

TITLE: **SAP-S-5-NS-8**

SCALE: N/A	DATE:	DRAWN: AWK	CHECKED: AL
PAGE NO: PG6	DRAWING NO: STAIR BOM	REVISION:	

4

3

2

1

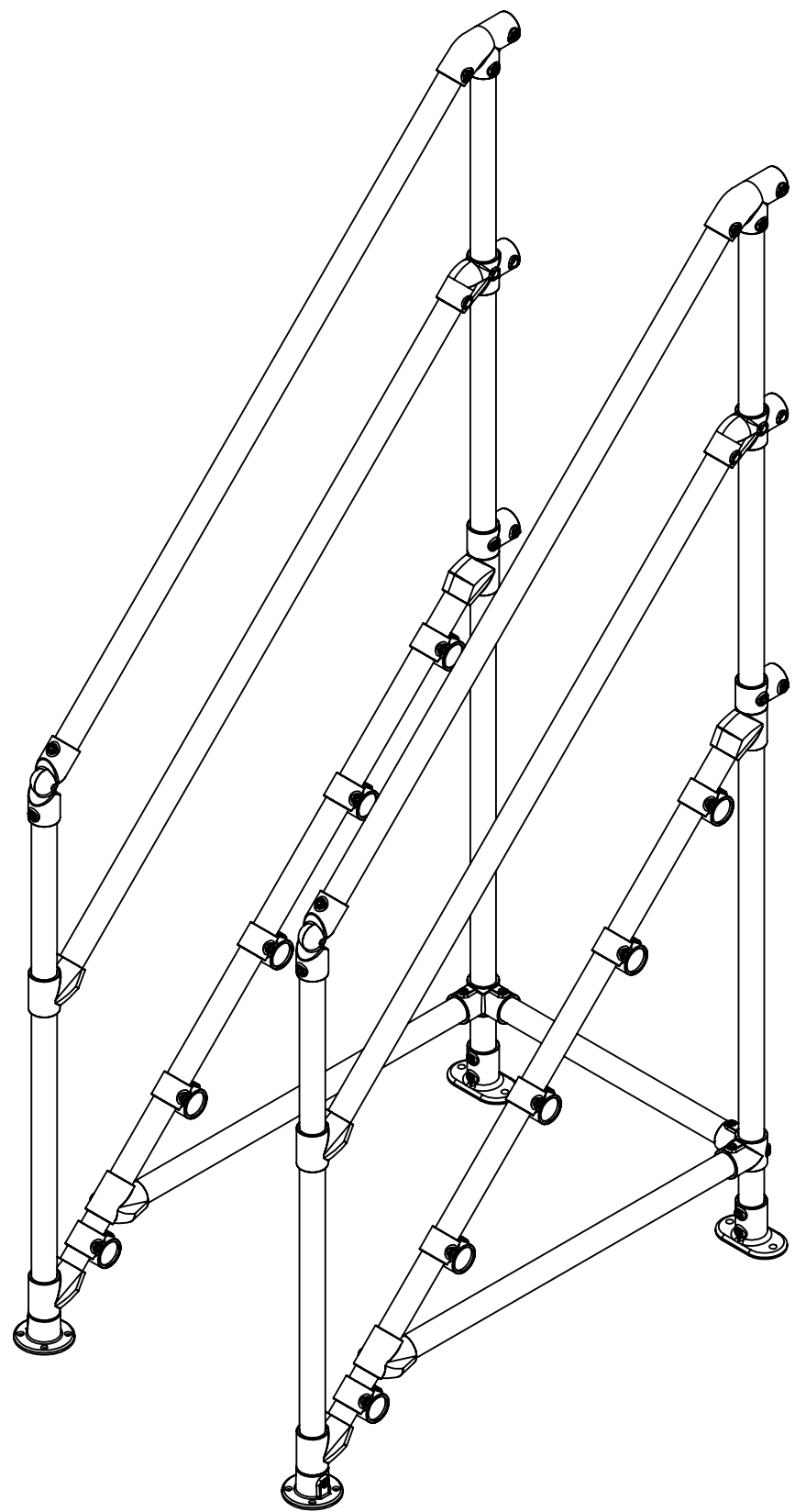
**CONFIDENTIAL:**  
 THIS DRAWING AND THE INFORMATION IT CONTAINS IS CONFIDENTIAL. IT MUST NOT BE REPRODUCED, OR COPIED, OR USED FOR ANY OTHER PURPOSE WITHOUT THE WRITTEN PERMISSION OF KEE SAFETY.

B

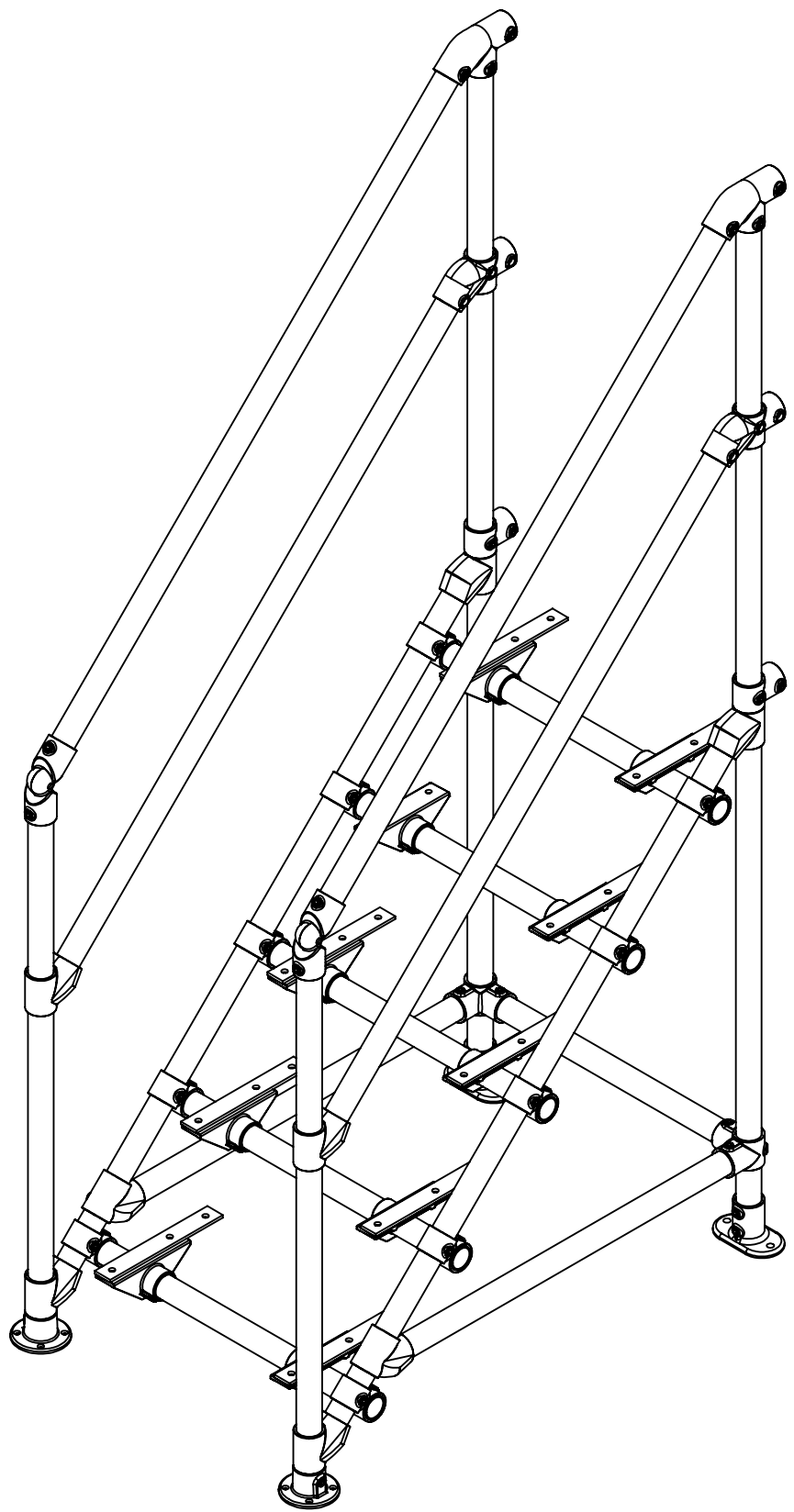
B

A

A



**5 STEP ASSEMBLY - 3**  
 NOT TO SCALE



**5 STEP ASSEMBLY - 4**  
 NOT TO SCALE

0	FIRST ISSUE		

**Kee Safety**  
 Kee Safety, Inc.  
 100 Stradman Street  
 Buffalo, NY 14206  
 Tel: (716) 896-4949  
 Fax: (716) 896-5696  
 Toll Free: (800) 851-5181  
 www.keesafety.com  
 Email: info@keesafety.com

SOLD TO: \_\_\_\_\_  
 END USER: \_\_\_\_\_  
 INSTALL ADDRESS: \_\_\_\_\_

TITLE: **SAP-S-5-NS-8**

SCALE: N/A	DATE:	DRAWN: AWK	CHECKED: AL
PAGE NO: PG7	DRAWING NO: STAIR BOM	REVISION:	

4

3

2

1

