

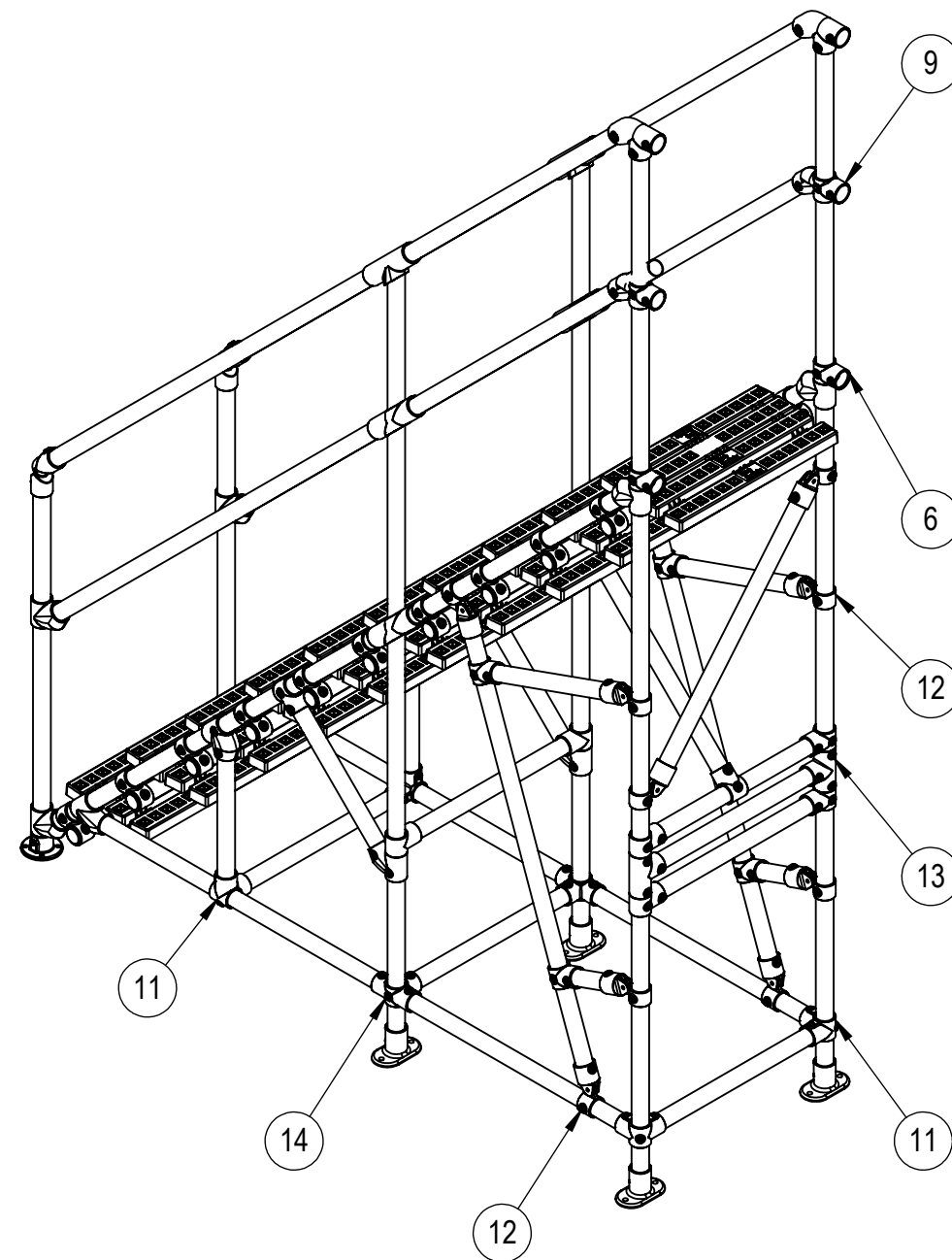
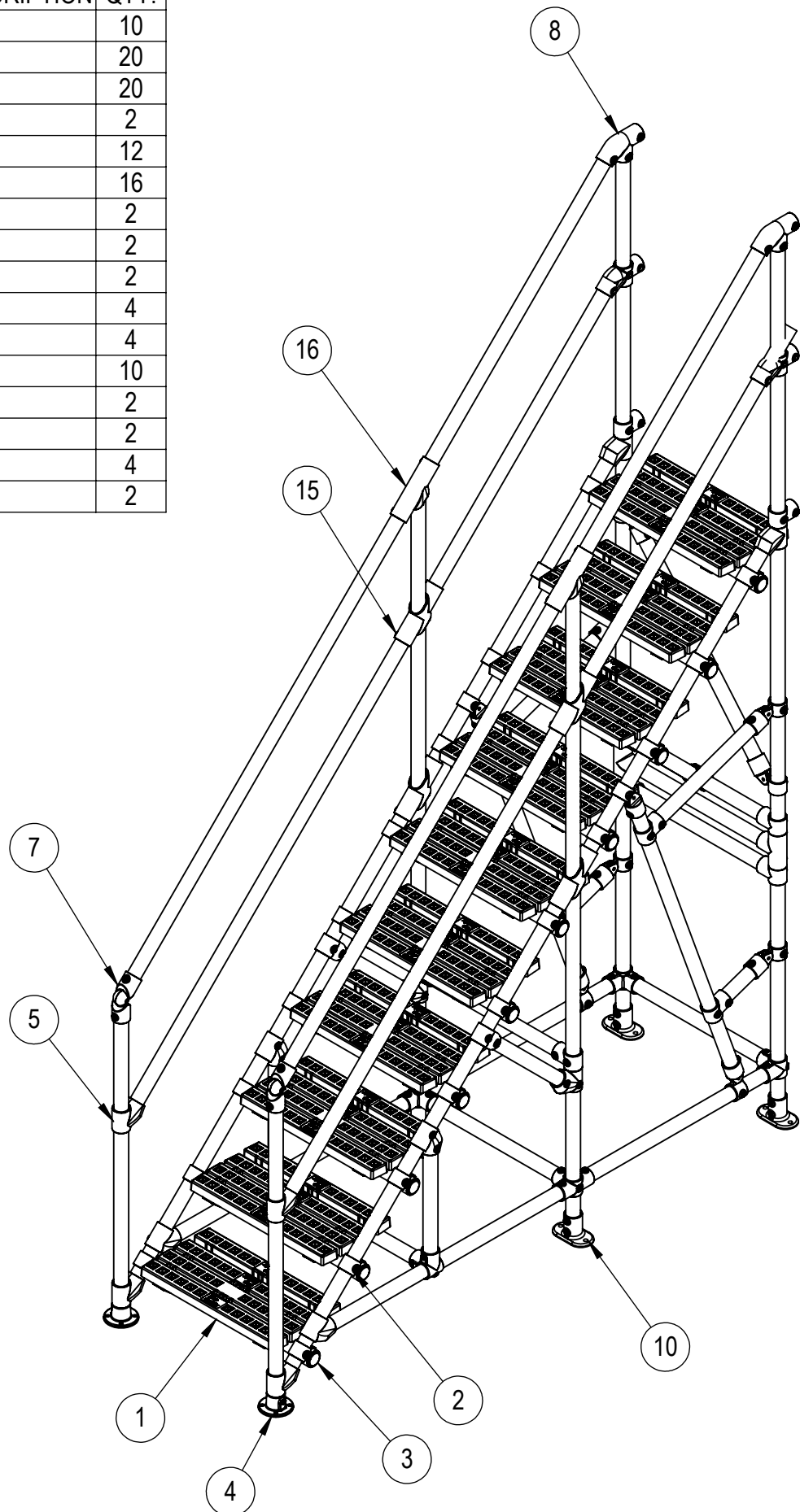
4

3

2

1

| ITEM NO. | PART NO. | DESCRIPTION | QTY. |
|----------|----------|-------------|------|
| 1        | SAP-STEP |             | 10   |
| 2        | 45-8     |             | 20   |
| 3        | 133D     |             | 20   |
| 4        | 61-8     |             | 2    |
| 5        | 29-8     |             | 12   |
| 6        | 10-8     |             | 16   |
| 7        | BC53-88  |             | 2    |
| 8        | 325-8    |             | 2    |
| 9        | 326-8    |             | 2    |
| 10       | 62-8     |             | 4    |
| 11       | 21-8     |             | 4    |
| 12       | C50-88   |             | 10   |
| 13       | 25-8     |             | 2    |
| 14       | 35-8     |             | 2    |
| 15       | 30-8     |             | 4    |
| 16       | 427-8    |             | 2    |



**CONFIDENTIAL:**  
 THIS DRAWING AND THE INFORMATION IT CONTAINS IS CONFIDENTIAL. IT MUST NOT BE REPRODUCED, OR COPIED, OR USED FOR ANY OTHER PURPOSE WITHOUT THE WRITTEN PERMISSION OF KEE SAFETY.

| REV       | DESCRIPTION | DATE |
|-----------|-------------|------|
| 0         | FIRST ISSUE |      |
| REVISIONS |             |      |

**Kee Safety**  
 Kee Safety, Inc.  
 100 Stradman Street  
 Buffalo, NY 14206  
 Tel: (716) 896-4949  
 Fax: (716) 896-5696  
 Toll Free: (800) 851-5181  
 www.keesafety.com  
 Email: info@keesafety.com

SOLD TO:  
 END USER:  
 INSTALL ADDRESS:

TITLE: SAP-S-10-NS-8

| SCALE    | DATE        | DRAWN    | CHECKED |
|----------|-------------|----------|---------|
| N/A      |             | AWK      | AL      |
| PAGE NO. | DRAWING NO. | REVISION |         |
| PG1      | STAIR BOM   |          |         |

4

3

2

1

B

B

A

A

4

3

2

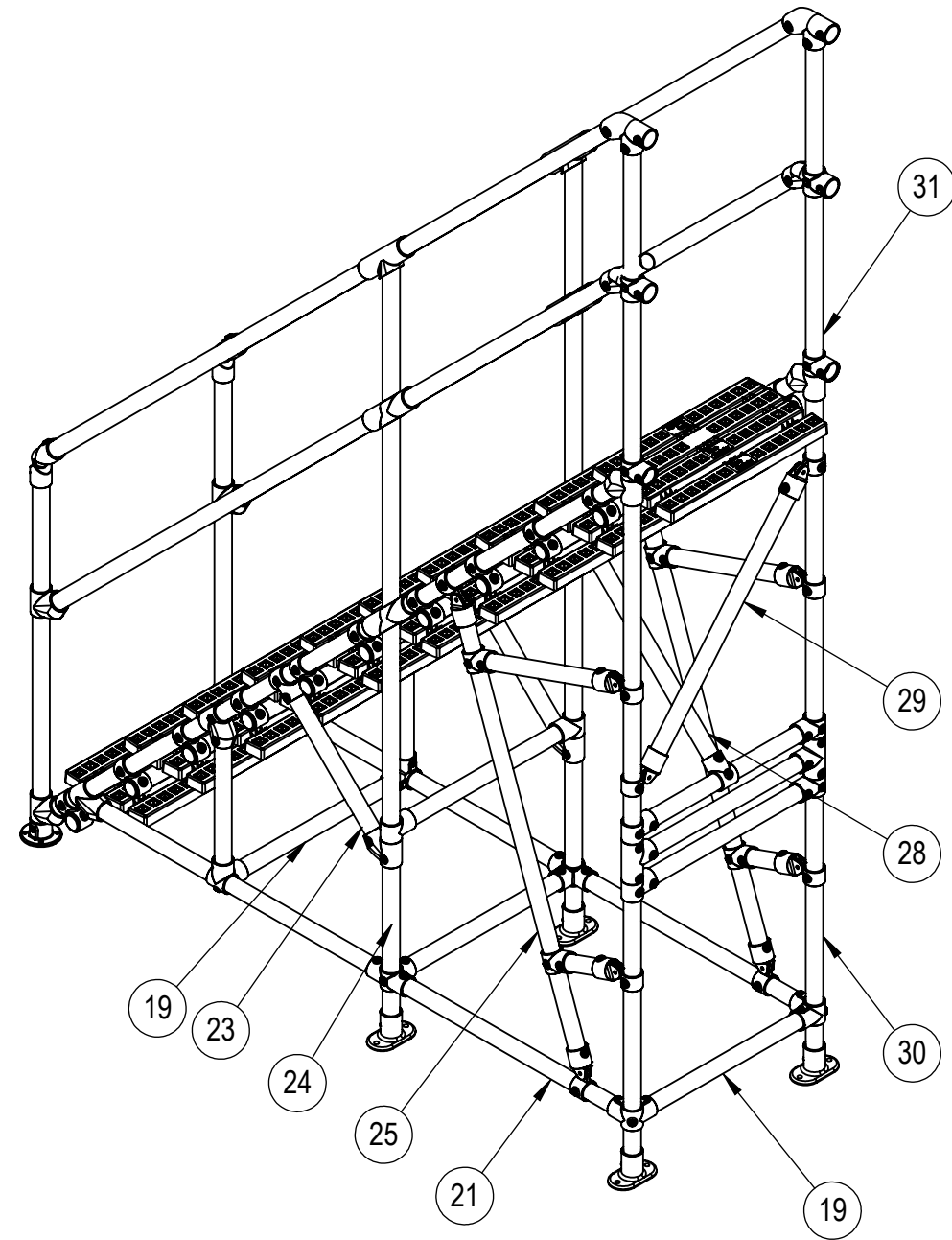
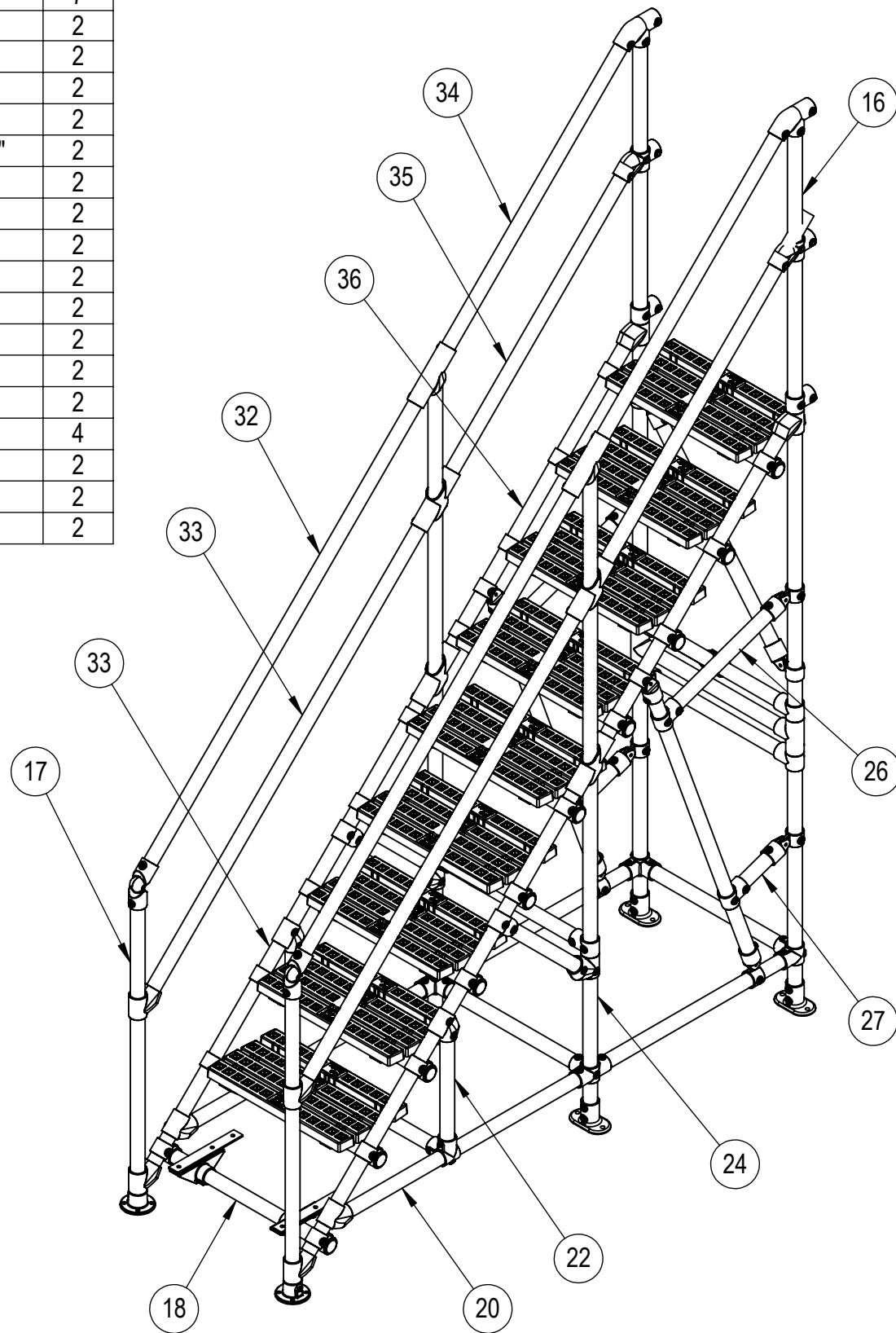
1

| ITEM NO. | PART NO.   | DESCRIPTION | QTY. |
|----------|------------|-------------|------|
| 17       | G150GS12GA | 48 1/8"     | 2    |
| 18       | G150GS12GA | 30"         | 10   |
| 19       | G150GS12GA | 26"         | 7    |
| 20       | G150GS12GA | 44 3/8"     | 2    |
| 21       | G150GS12GA | 35"         | 2    |
| 22       | G150GS12GA | 18 3/4"     | 2    |
| 23       | G150GS12GA | 19 3/4"     | 2    |
| 24       | G150GS12GA | 103 1/8"    | 2    |
| 25       | G150GS12GA | 53 1/2"     | 2    |
| 26       | G150GS12GA | 20 3/4"     | 2    |
| 27       | G150GS12GA | 7 1/2"      | 2    |
| 28       | G150GS12GA | 28 3/8"     | 2    |
| 29       | G150GS12GA | 34"         | 2    |
| 30       | G150GS12GA | 40 5/8"     | 2    |
| 31       | G150GS12GA | 94-5/8"     | 2    |
| 32       | G150GS12GA | 71 1/2"     | 2    |
| 33       | G150GS12GA | 70 1/2"     | 4    |
| 34       | G150GS12GA | 47 1/2"     | 2    |
| 35       | G150GS12GA | 46 1/2"     | 2    |
| 36       | G150GS12GA | 47 1/8"     | 2    |

**CONFIDENTIAL:**  
 THIS DRAWING AND THE INFORMATION IT CONTAINS IS CONFIDENTIAL. IT MUST NOT BE REPRODUCED, OR COPIED, OR USED FOR ANY OTHER PURPOSE WITHOUT THE WRITTEN PERMISSION OF KEE SAFETY.

B

B



| REV       | DESCRIPTION | DATE |
|-----------|-------------|------|
| 0         | FIRST ISSUE |      |
| REVISIONS |             |      |

**Kee Safety**  
 Kee Safety, Inc.  
 100 Stradman Street  
 Buffalo, NY 14206  
 Tel: (716) 896-4949  
 Fax: (716) 896-5696  
 Toll Free: (800) 851-5181  
 www.keesafety.com  
 Email: info@keesafety.com

SOLD TO: \_\_\_\_\_  
 END USER: \_\_\_\_\_  
 INSTALL ADDRESS: \_\_\_\_\_

TITLE: SAP-S-10-NS-8

| SCALE    | DATE        | DRAWN    | CHECKED |
|----------|-------------|----------|---------|
| N/A      |             | AWK      | AL      |
| PAGE NO. | DRAWING NO. | REVISION |         |
| PG2      | STAIR BOM   |          |         |

A

A

4

3

2

1

4

3

2

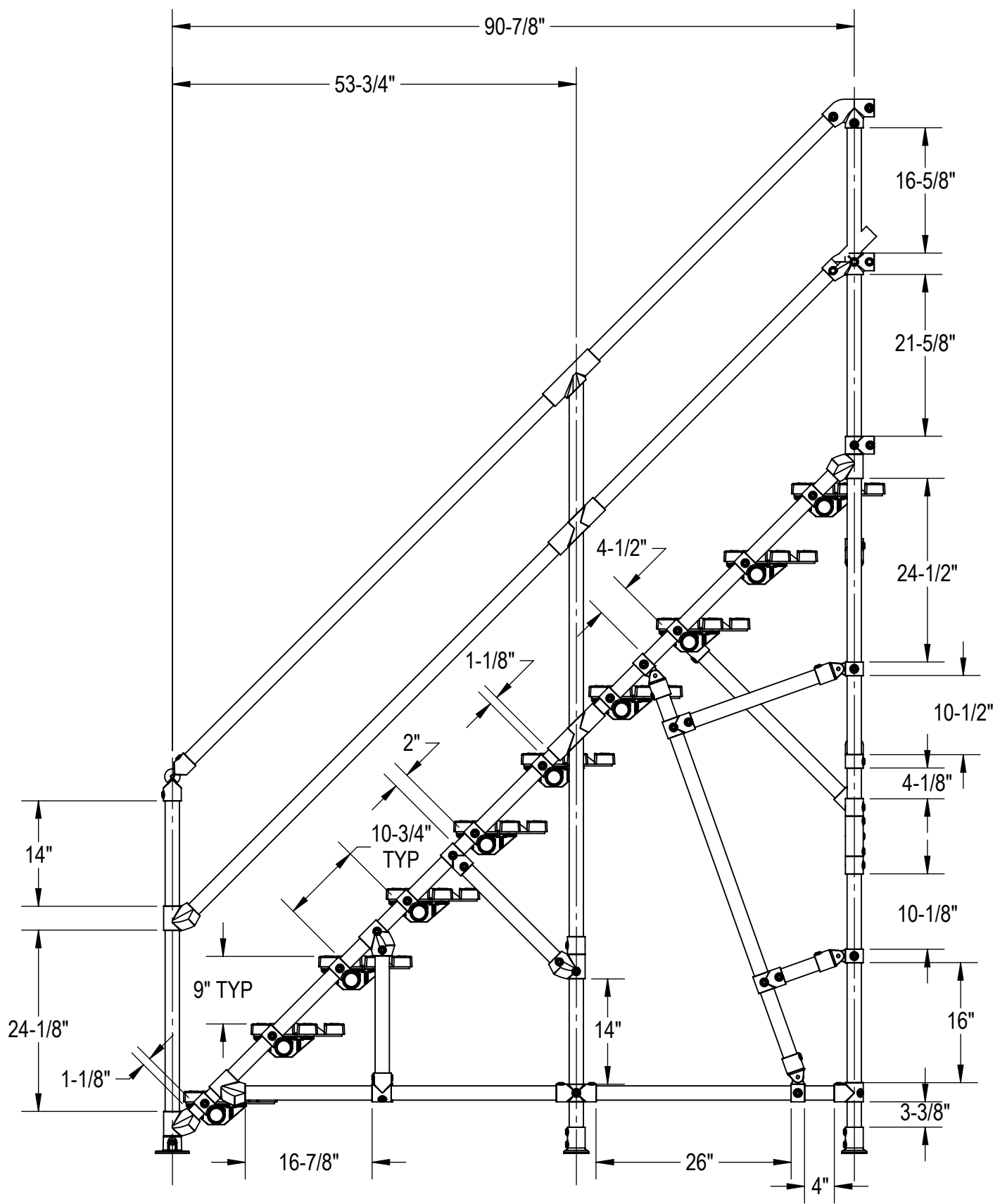
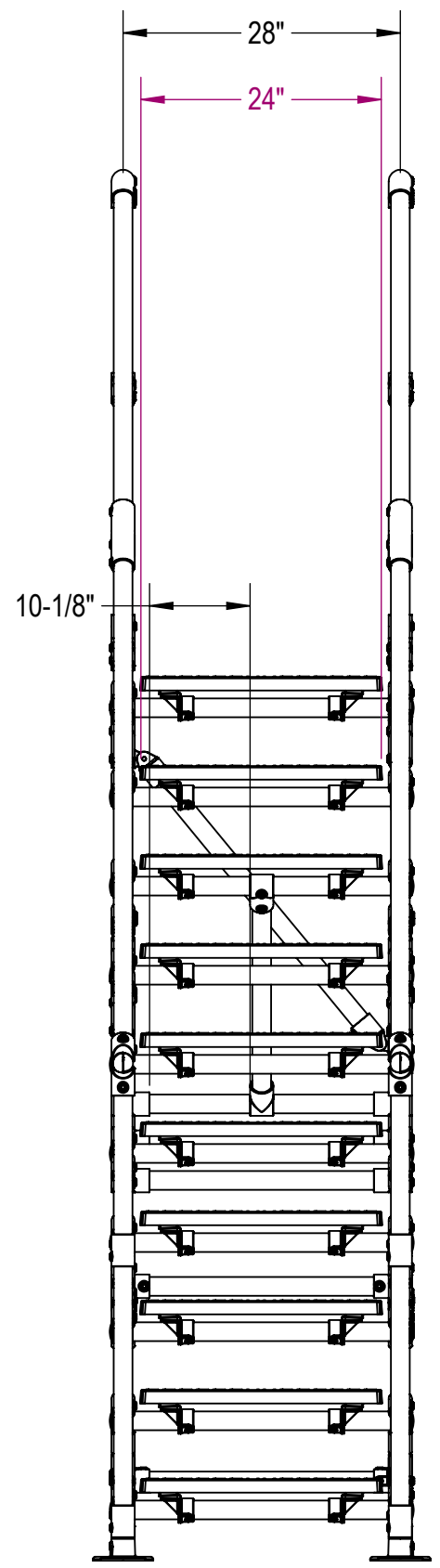
1

B

B

A

A



**CONFIDENTIAL:**  
 THIS DRAWING AND THE INFORMATION IT CONTAINS IS CONFIDENTIAL. IT MUST NOT BE REPRODUCED, OR COPIED, OR USED FOR ANY OTHER PURPOSE WITHOUT THE WRITTEN PERMISSION OF KEE SAFETY.

| REVISIONS |             |
|-----------|-------------|
| 0         | FIRST ISSUE |

**Kee Safety**  
 Kee Safety, Inc.  
 100 Stradman Street  
 Buffalo, NY 14206  
 Tel: (716) 896-4949  
 Fax: (716) 896-5696  
 Toll Free: (800) 851-5181  
 www.keesafety.com  
 Email: info@keesafety.com

SOLD TO: \_\_\_\_\_

END USER: \_\_\_\_\_

INSTALL ADDRESS: \_\_\_\_\_

TITLE: SAP-S-10-NS-8

|              |                       |            |             |
|--------------|-----------------------|------------|-------------|
| SCALE: N/A   | DATE:                 | DRAWN: AWK | CHECKED: AL |
| PAGE NO: PG3 | DRAWING NO: STAIR BOM | REVISION:  |             |

4

3

2

1









4

3

2

1

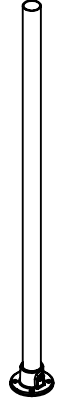
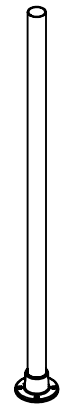
**CONFIDENTIAL:**  
 THIS DRAWING AND THE INFORMATION IT CONTAINS IS CONFIDENTIAL. IT MUST NOT BE REPRODUCED, OR COPIED, OR USED FOR ANY OTHER PURPOSE WITHOUT THE WRITTEN PERMISSION OF KEE SAFETY.

B

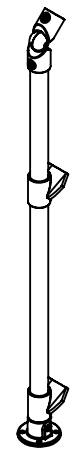
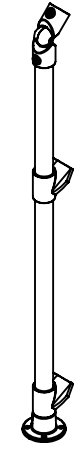
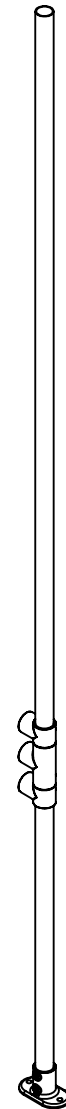
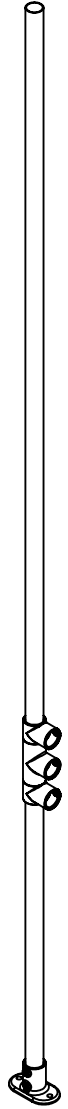
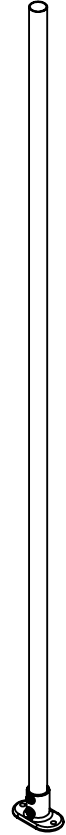
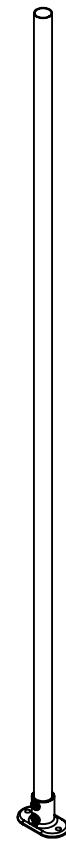
B

A

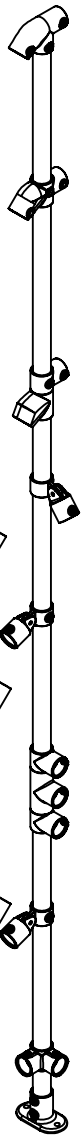
A



10 STEP ASSEMBLY - 1  
 NOT TO SCALE



10 STEP ASSEMBLY - 2  
 NOT TO SCALE



| REVISIONS |             |
|-----------|-------------|
| 0         | FIRST ISSUE |
|           |             |
|           |             |
|           |             |
|           |             |
|           |             |
|           |             |
|           |             |
|           |             |



Kee Safety, Inc.  
 100 Stradman Street  
 Buffalo, NY 14206  
 Tel: (716) 896-4949  
 Fax: (716) 896-5696  
 Toll Free: (800) 851-5181  
 www.keesafety.com  
 Email: info@keesafety.com

SOLD TO: \_\_\_\_\_

END USER: \_\_\_\_\_

INSTALL ADDRESS: \_\_\_\_\_

|                      |                       |            |             |
|----------------------|-----------------------|------------|-------------|
| TITLE: SAP-S-10-NS-8 |                       |            |             |
| SCALE: N/A           | DATE:                 | DRAWN: AWK | CHECKED: AL |
| PAGE NO: PG8         | DRAWING NO: STAIR BOM | REVISION:  |             |

4

3

2

1

4

3

2

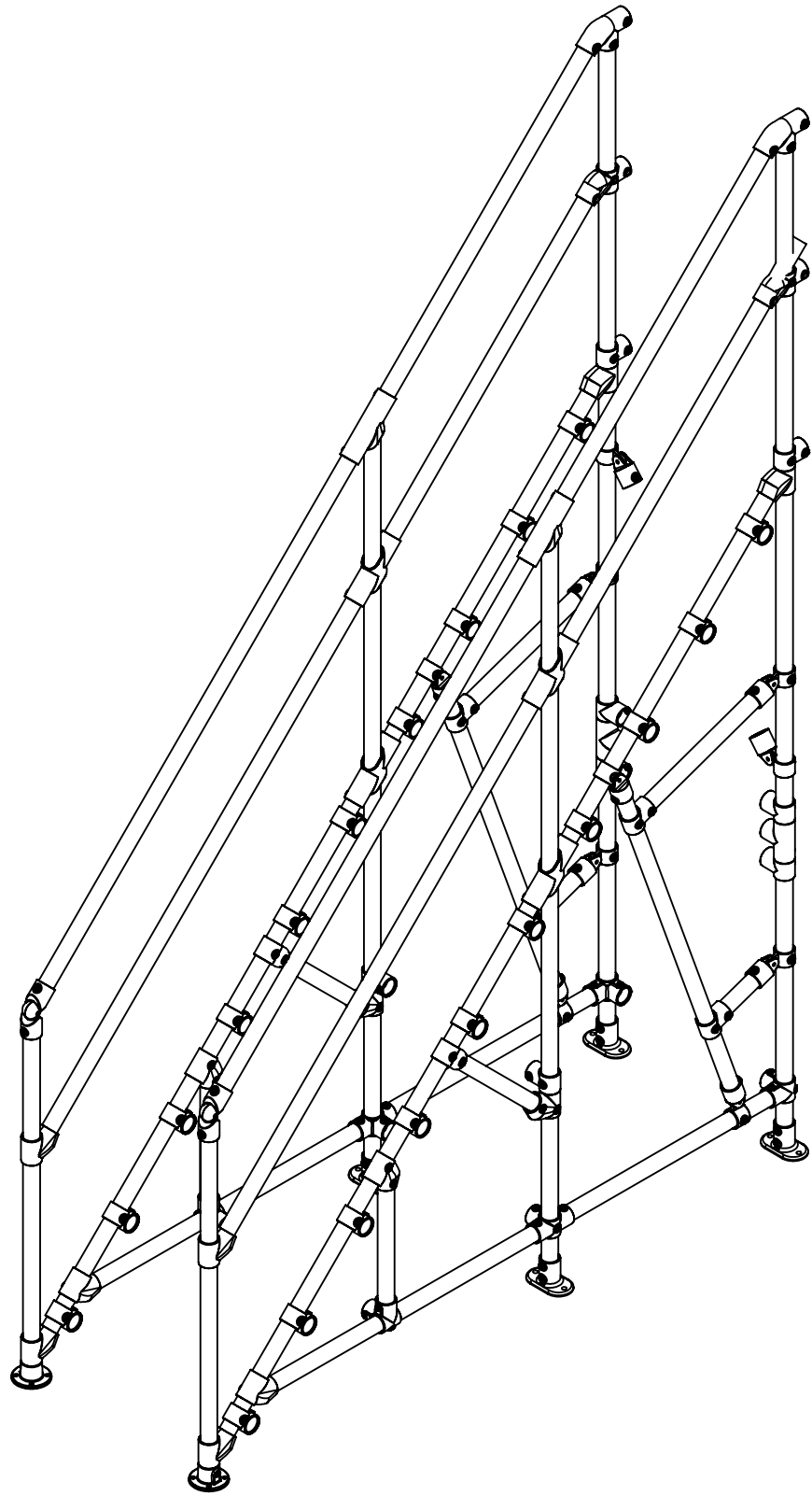
1

B

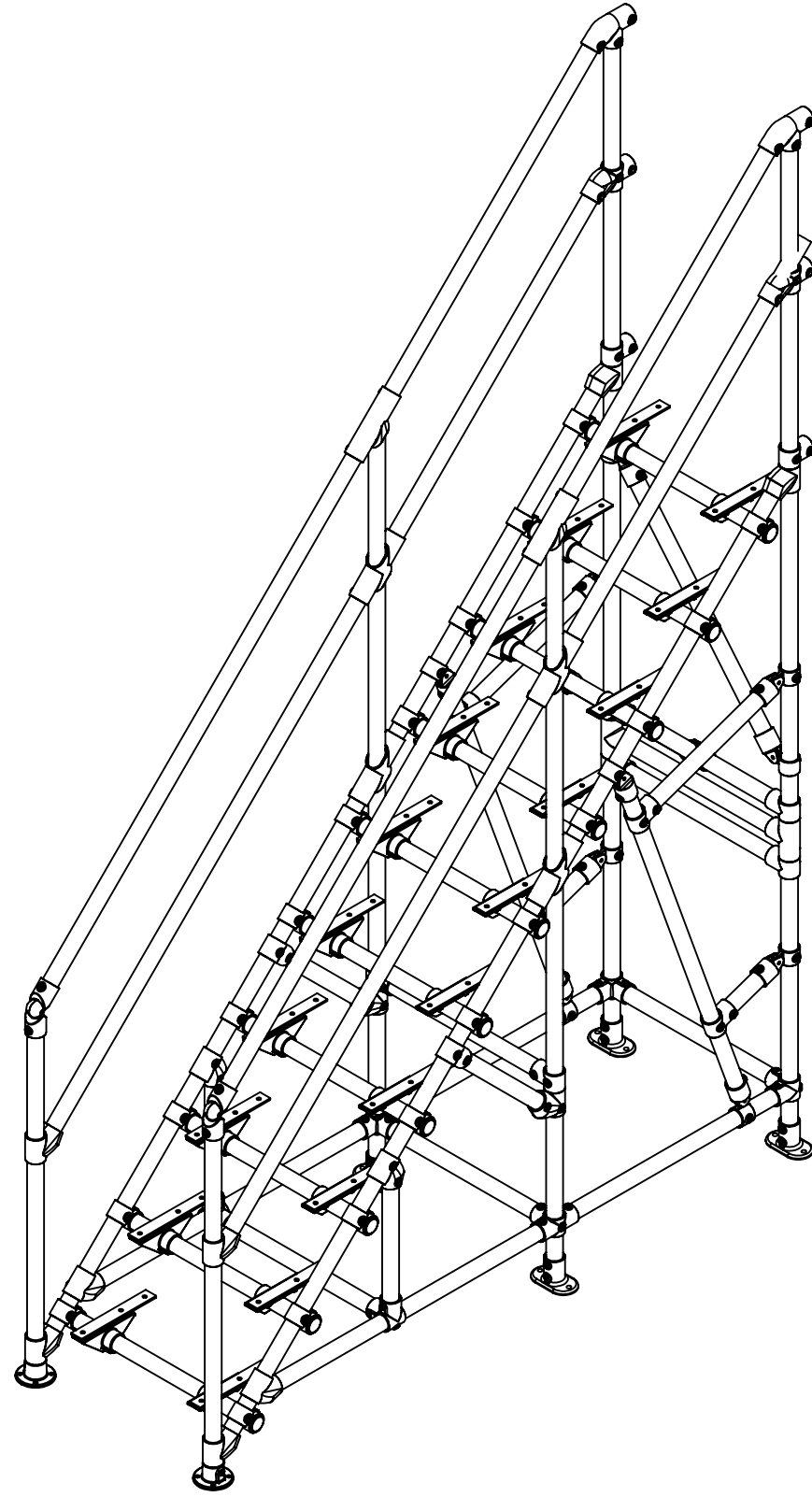
B

A

A



10 STEP ASSEMBLY - 3  
NOT TO SCALE



10 STEP ASSEMBLY - 4  
NOT TO SCALE

**CONFIDENTIAL:**  
THIS DRAWING AND THE INFORMATION IT CONTAINS IS CONFIDENTIAL. IT MUST NOT BE REPRODUCED, OR COPIED, OR USED FOR ANY OTHER PURPOSE WITHOUT THE WRITTEN PERMISSION OF KEE SAFETY.

| REVISIONS |             |
|-----------|-------------|
| 0         | FIRST ISSUE |
|           |             |
|           |             |
|           |             |
|           |             |
|           |             |
|           |             |
|           |             |
|           |             |



Kee Safety, Inc.  
100 Stradman Street  
Buffalo, NY 14206  
Tel: (716) 896-4949  
Fax: (716) 896-5696  
Toll Free: (800) 851-5181  
www.keesafety.com  
Email: info@keesafety.com

SOLD TO: \_\_\_\_\_

END USER: \_\_\_\_\_

INSTALL ADDRESS: \_\_\_\_\_

TITLE: **SAP-S-10-NS-8**

|              |                       |            |             |
|--------------|-----------------------|------------|-------------|
| SCALE: N/A   | DATE:                 | DRAWN: AWK | CHECKED: AL |
| PAGE NO: PG9 | DRAWING NO: STAIR BOM | REVISION:  |             |

4

3

2

1

