

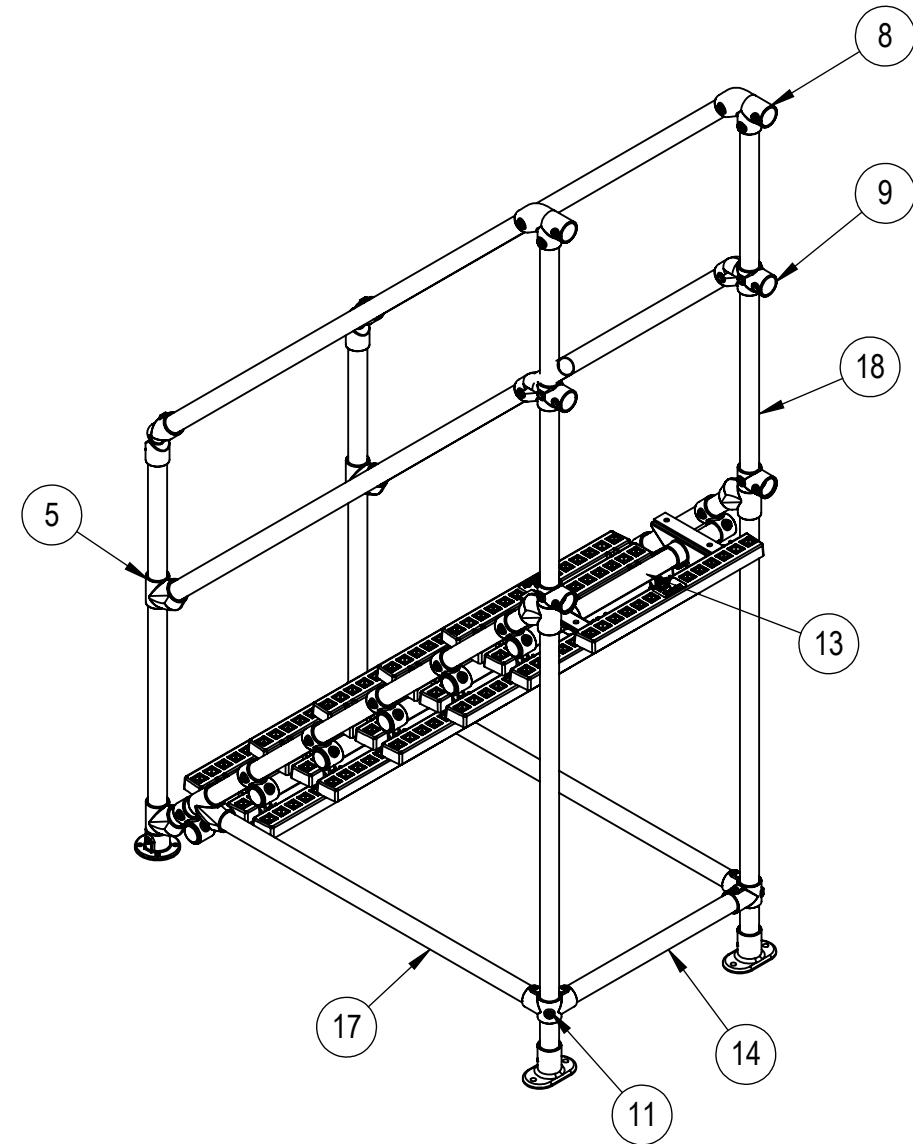
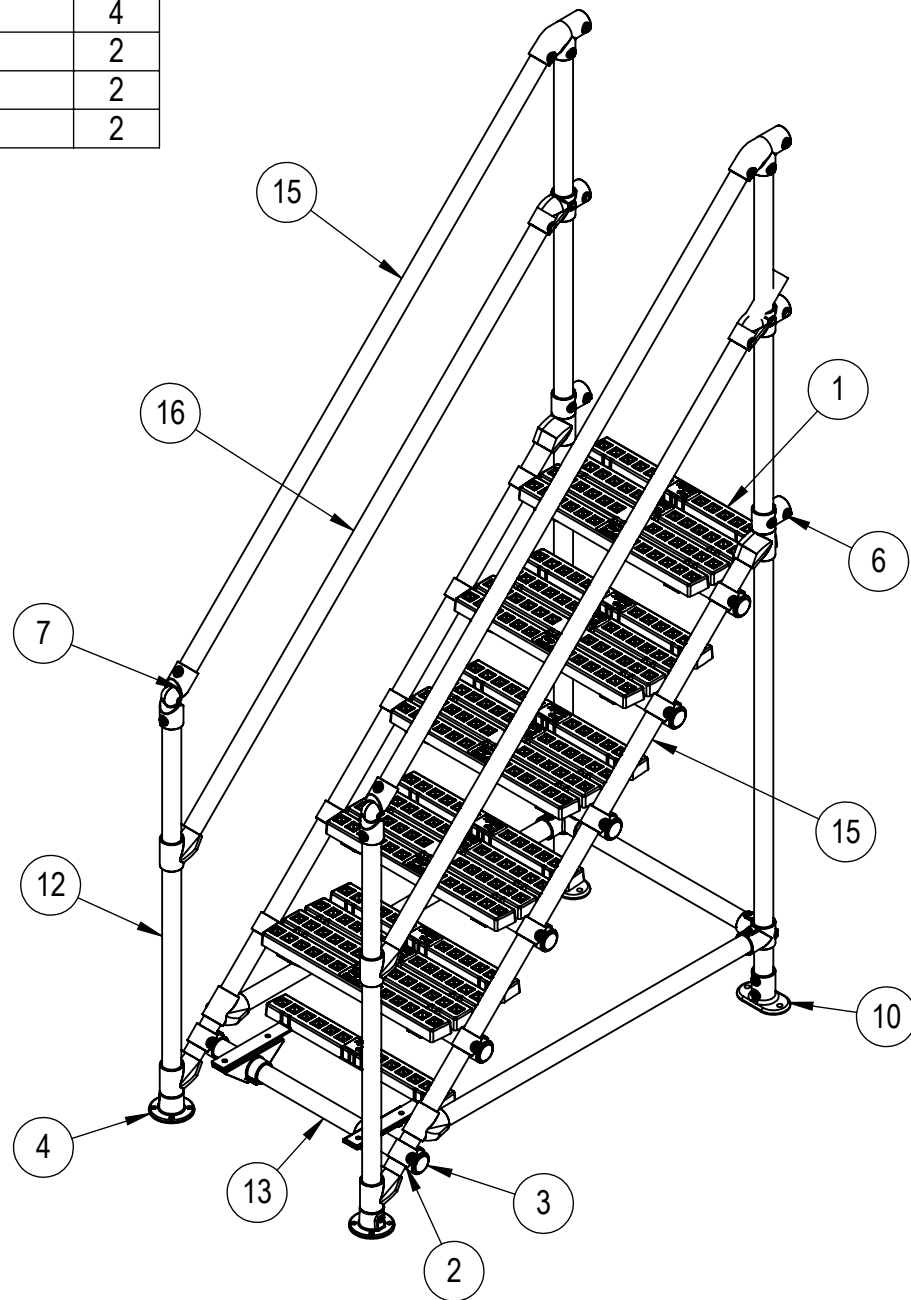
4

3

2

1

ITEM NO.	PART NO.	DESCRIPTION	QTY.
1	SAP-STEP		6
2	45-8		12
3	133D		12
4	61-8		2
5	29-8		8
6	10-8		2
7	BC53-88		2
8	325-8		2
9	326-8		2
10	62-8		2
11	21-8		2
12	G150GS12GA	48-1/8"	2
13	G150GS12GA	30"	6
14	G150GS12GA	26"	1
15	G150GS12GA	72-7/8"	4
16	G150GS12GA	72"	2
17	G150GS12GA	45-3/8"	2
18	G150GS12GA	101-7/8"	2



CONFIDENTIAL:
 THIS DRAWING AND THE INFORMATION IT CONTAINS IS CONFIDENTIAL. IT MUST NOT BE REPRODUCED, OR COPIED, OR USED FOR ANY OTHER PURPOSE WITHOUT THE WRITTEN PERMISSION OF KEE SAFETY.

REV	DESCRIPTION
0	FIRST ISSUE
REVISIONS	

Kee Safety
 Kee Safety, Inc.
 100 Stradman Street
 Buffalo, NY 14206
 Tel: (716) 896-4949
 Fax: (716) 896-5696
 Toll Free: (800) 851-5181
 www.keesafety.com
 Email: info@keesafety.com

SOLD TO: _____
 END USER: _____
 INSTALL ADDRESS: _____

TITLE: **SAP-S-6-NS-8**

SCALE: N/A	DATE:	DRAWN: AWK	CHECKED: AL
PAGE NO: PG1	DRAWING NO: STAIR BOM	REVISION:	

4

3

2

1

B

B

A

A

4

3

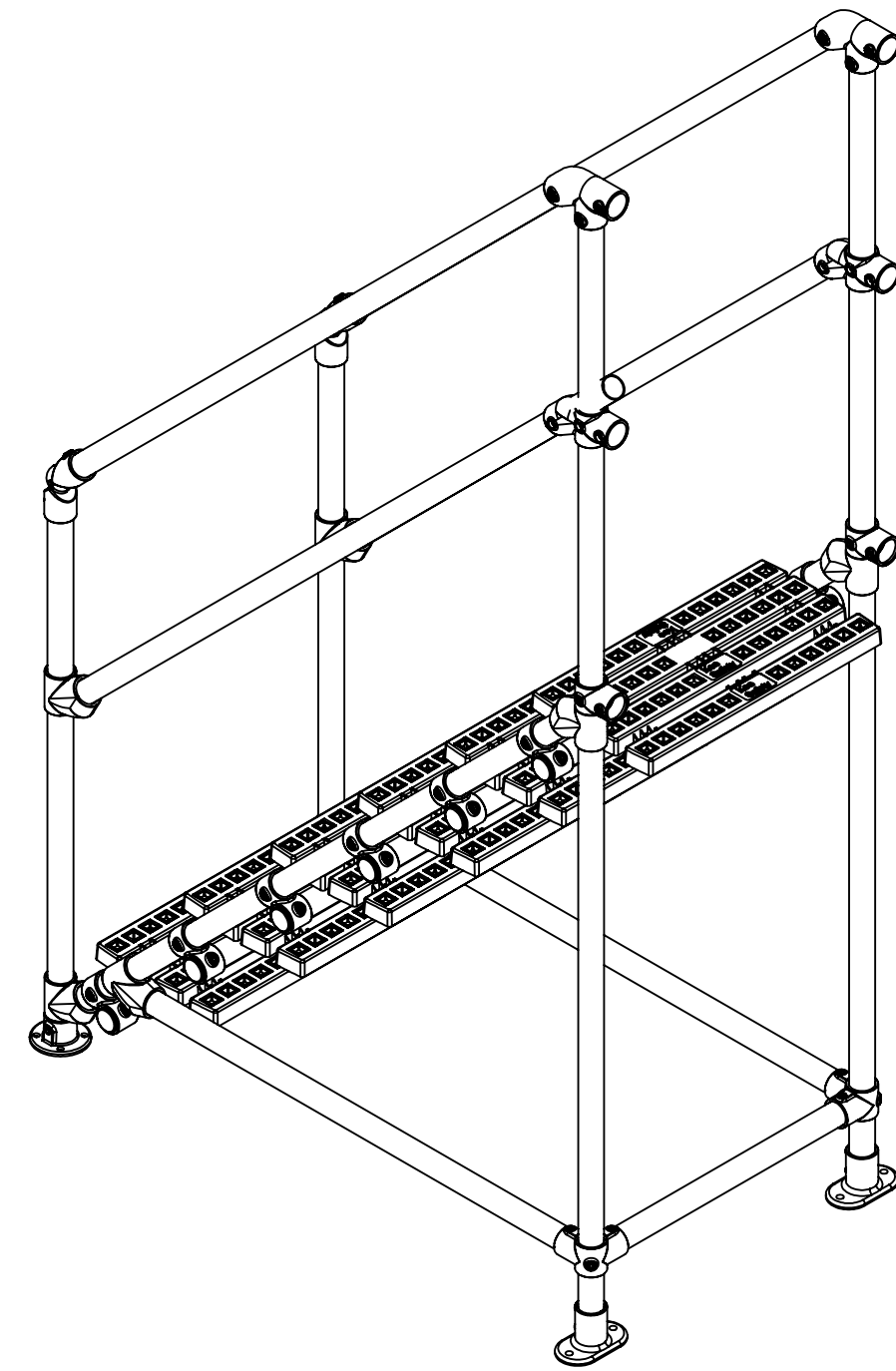
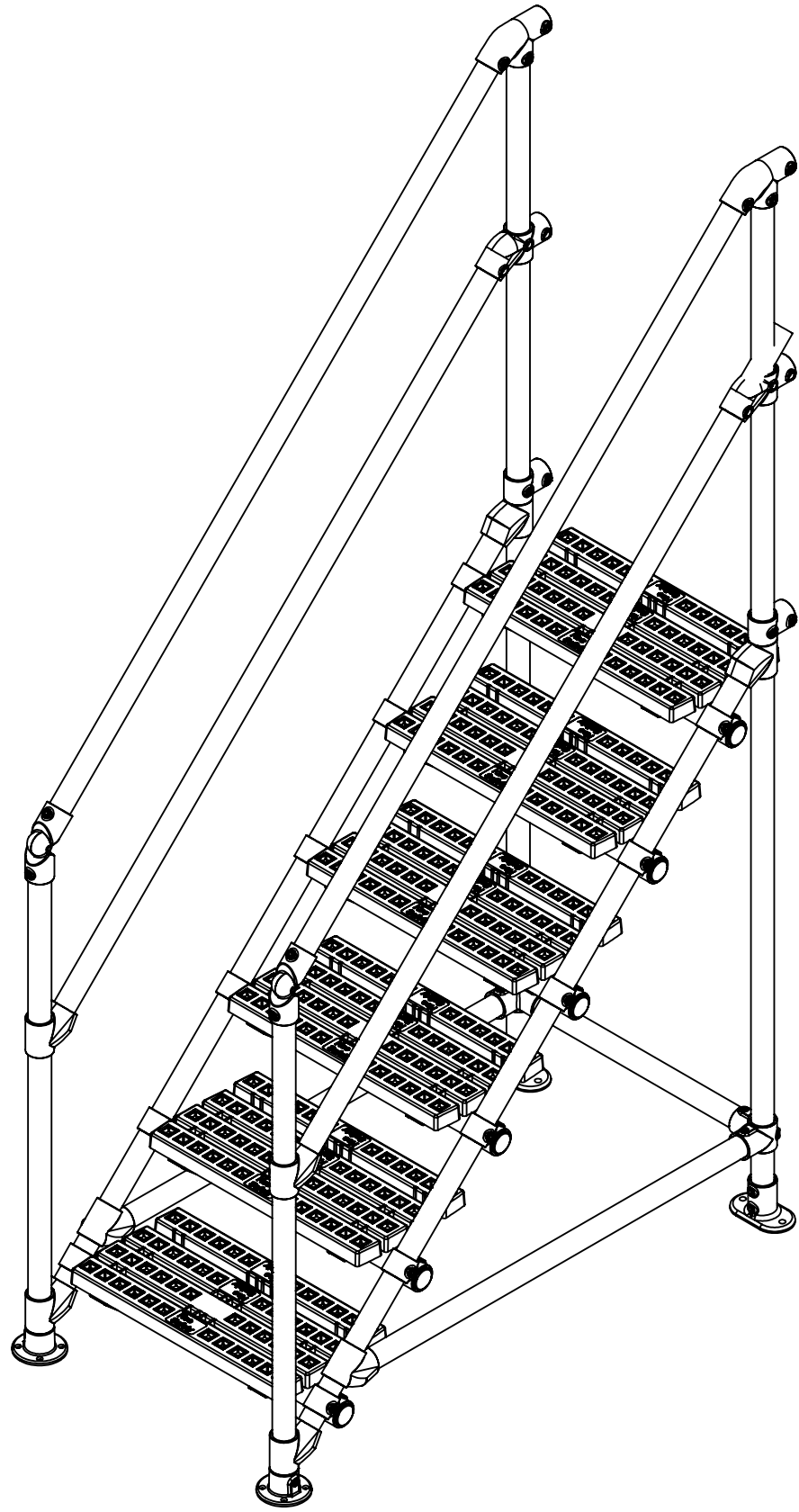
2

1

CONFIDENTIAL:
 THIS DRAWING AND THE INFORMATION IT CONTAINS IS CONFIDENTIAL. IT MUST NOT BE REPRODUCED, OR COPIED, OR USED FOR ANY OTHER PURPOSE WITHOUT THE WRITTEN PERMISSION OF KEE SAFETY.

B

A



REVISIONS	
0	FIRST ISSUE

Kee Safety
 Kee Safety, Inc.
 100 Stradman Street
 Buffalo, NY 14206
 Tel: (716) 896-4949
 Fax: (716) 896-5696
 Toll Free: (800) 851-5181
 www.keesafety.com
 Email: info@keesafety.com

SOLD TO: _____
 END USER: _____
 INSTALL ADDRESS: _____

TITLE: **SAP-S-6-NS-8**

SCALE: N/A	DATE:	DRAWN: AWK	CHECKED: AL
PAGE NO: PG3	DRAWING NO: STAIR BOM	REVISION:	

4

3

2

1

B

A

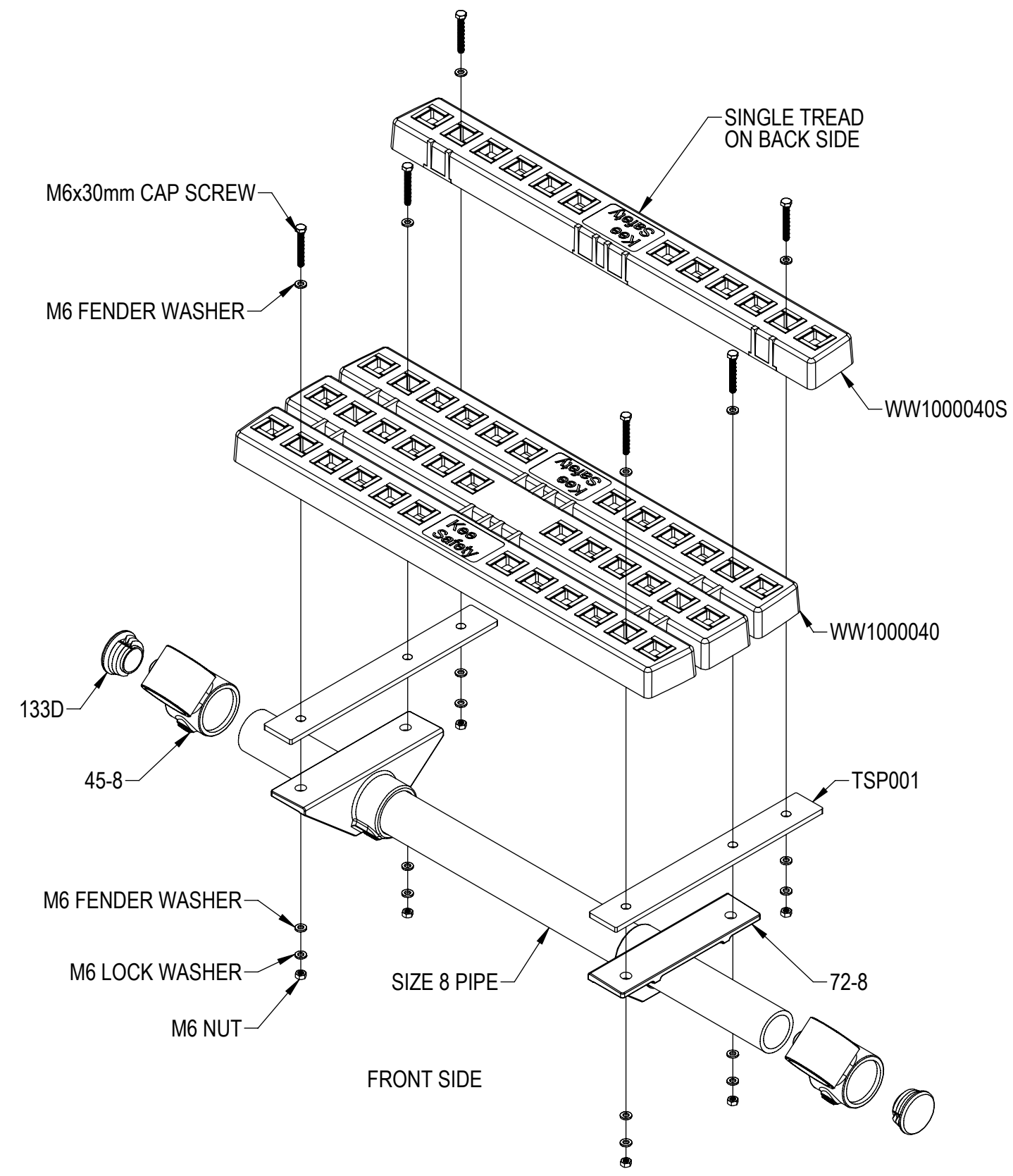
4

3

2

1

CONFIDENTIAL:
 THIS DRAWING AND THE INFORMATION IT CONTAINS IS CONFIDENTIAL. IT MUST NOT BE REPRODUCED, OR COPIED, OR USED FOR ANY OTHER PURPOSE WITHOUT THE WRITTEN PERMISSION OF KEE SAFETY.



TREAD FIXING DETAIL FOR STEP
 NOT TO SCALE

QTY: 6
 SINGLE TREAD SHOULD BE BACK SIDE WHEN INSTALLING SAP-STEP

REVISIONS	
0	FIRST ISSUE

Kee Safety
 Kee Safety, Inc.
 100 Stradman Street
 Buffalo, NY 14206
 Tel: (716) 896-4949
 Fax: (716) 896-5696
 Toll Free: (800) 851-5181
 www.keesafety.com
 Email: info@keesafety.com

SOLD TO: _____
 END USER: _____
 INSTALL ADDRESS: _____

TITLE: SAPSAP-S-6-NS-8-S-6-NS-8

SCALE	DATE	DRAWN	CHECKED
N/A		AWK	AL
PG4	STAIR BOM		

4

3

2

1

B

B

A

A

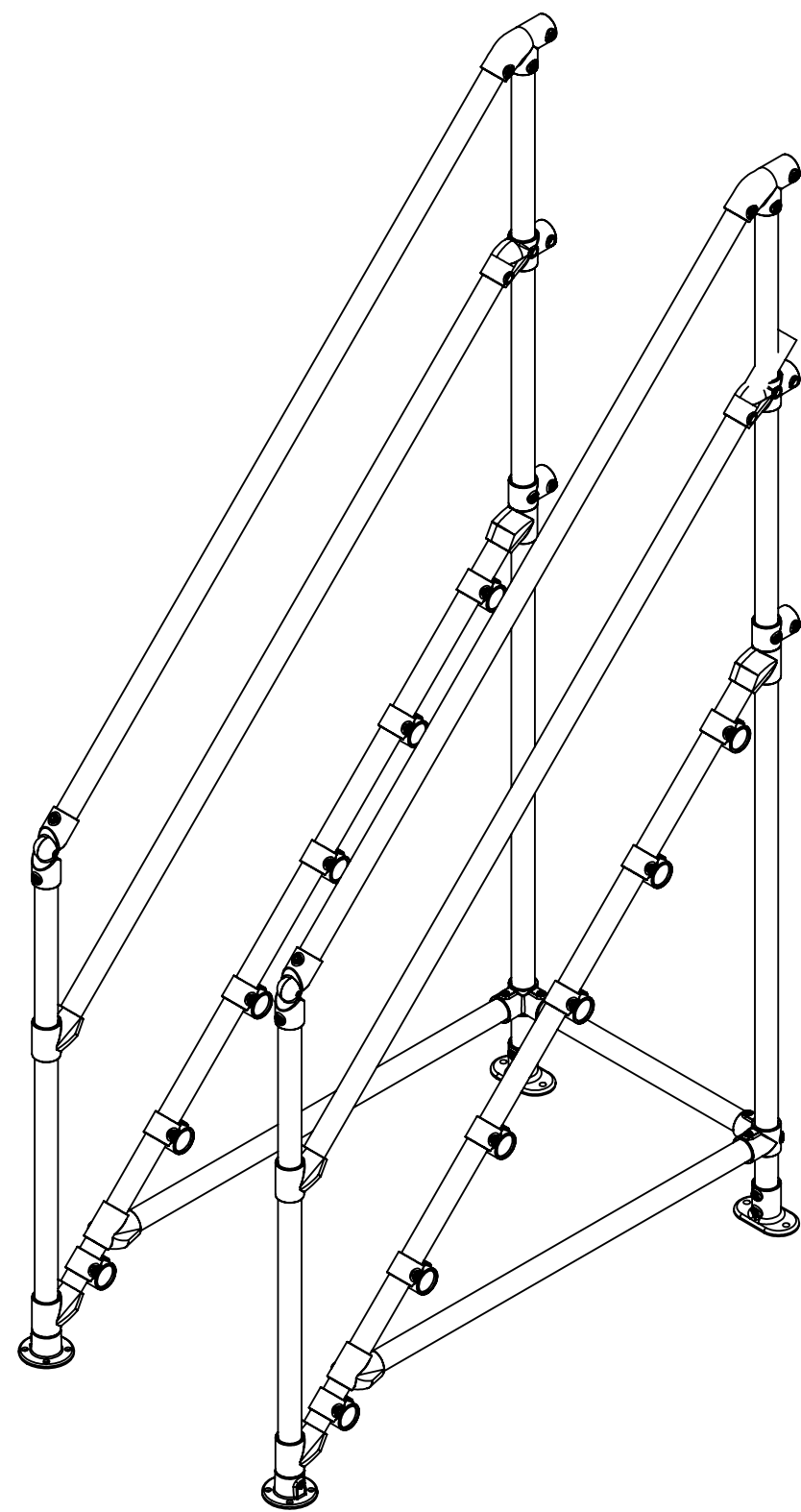
4

3

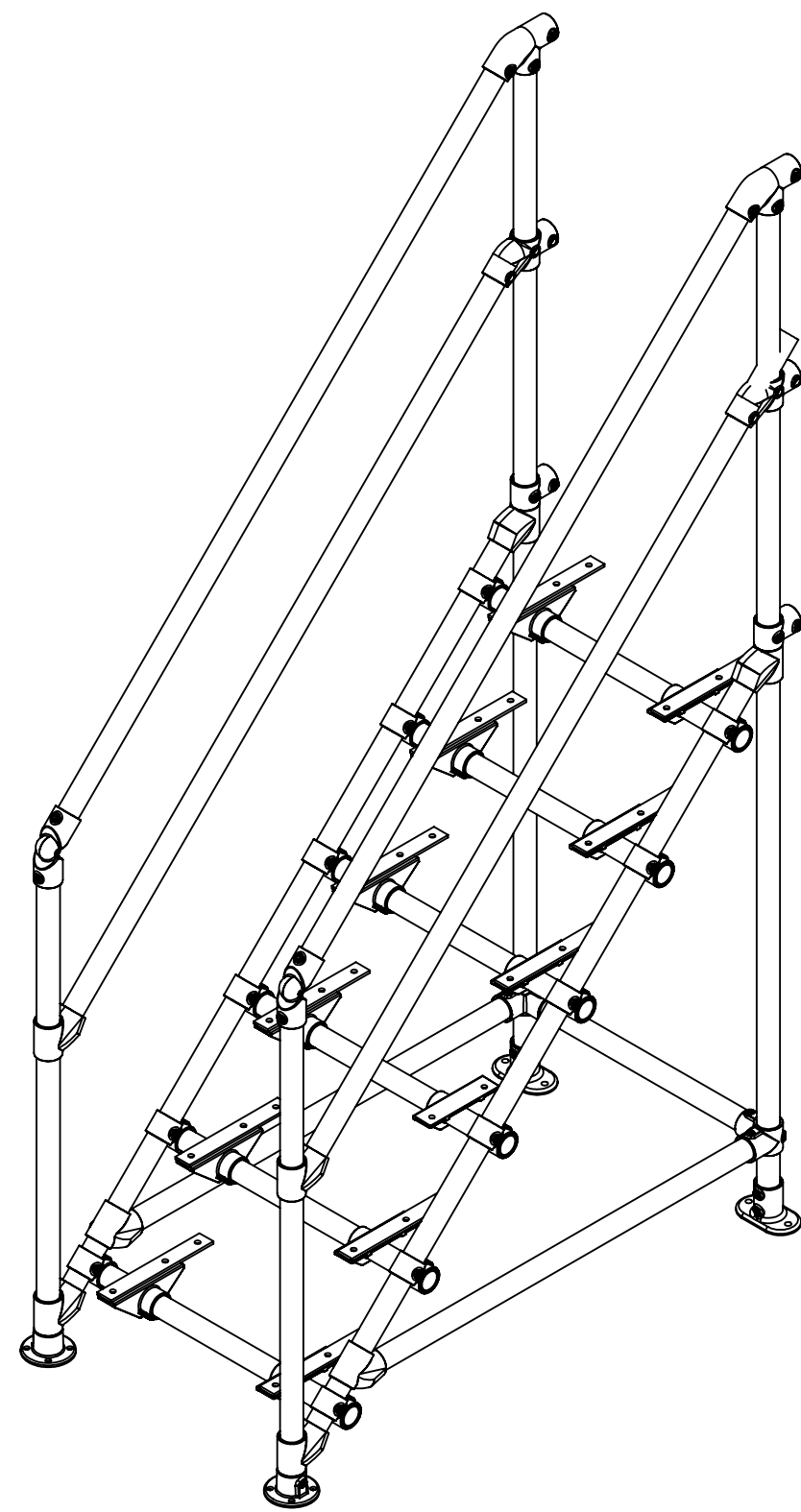
2

1

CONFIDENTIAL:
 THIS DRAWING AND THE INFORMATION IT CONTAINS IS CONFIDENTIAL. IT MUST NOT BE REPRODUCED, OR COPIED, OR USED FOR ANY OTHER PURPOSE WITHOUT THE WRITTEN PERMISSION OF KEE SAFETY.



6 STEP ASSEMBLY - 3
 NOT TO SCALE



6 STEP ASSEMBLY - 4
 NOT TO SCALE

0	FIRST ISSUE		

Kee Safety
 Kee Safety, Inc.
 100 Stradman Street
 Buffalo, NY 14206
 Tel: (716) 896-4949
 Fax: (716) 896-5696
 Toll Free: (800) 851-5181
 www.keesafety.com
 Email: info@keesafety.com

SOLD TO: _____

END USER: _____

INSTALL ADDRESS: _____

TITLE: **SAP-S-6-NS-8**

SCALE: N/A	DATE:	DRAWN: AWK	CHECKED: AL
PAGE NO: PG7	DRAWING NO: STAIR BOM	REVISION:	

4

3

2

1

B

B

A

A

