

4

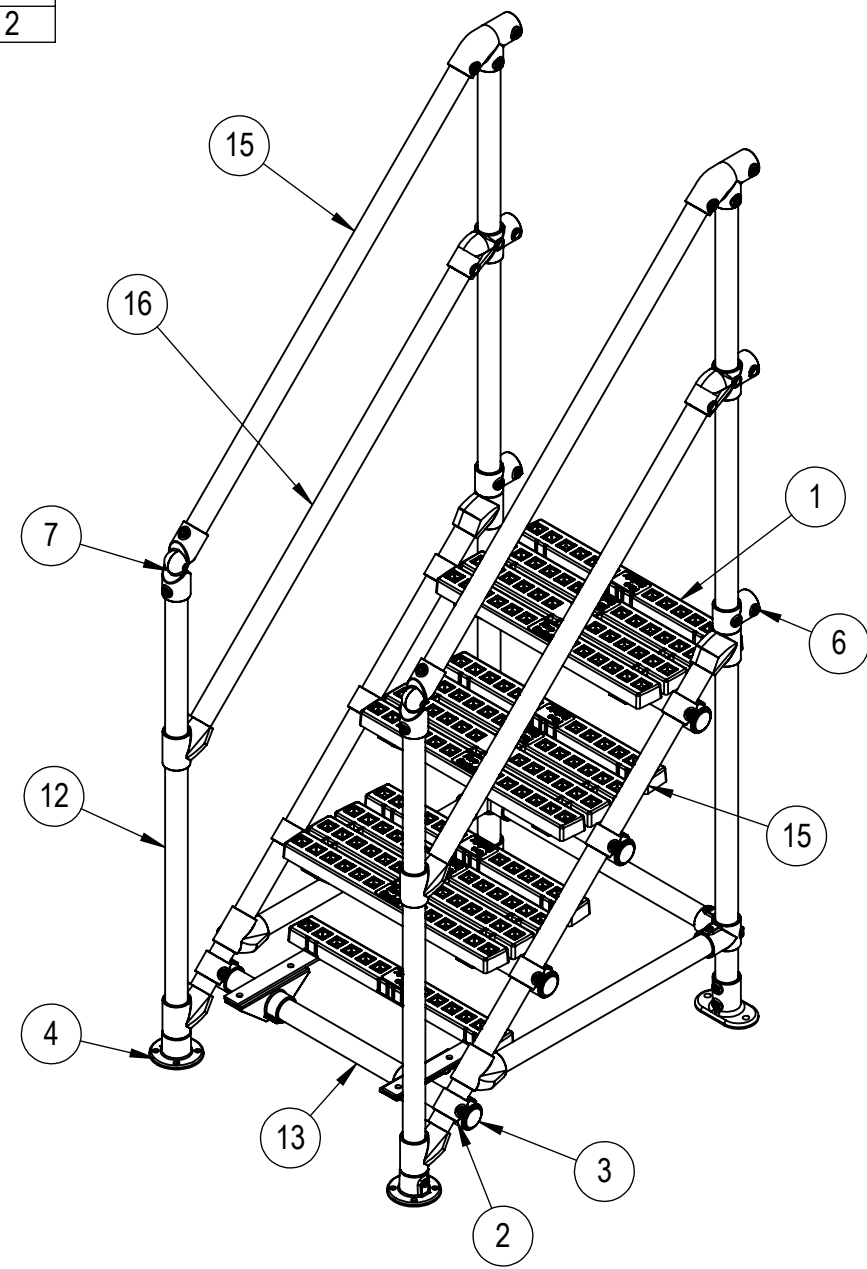
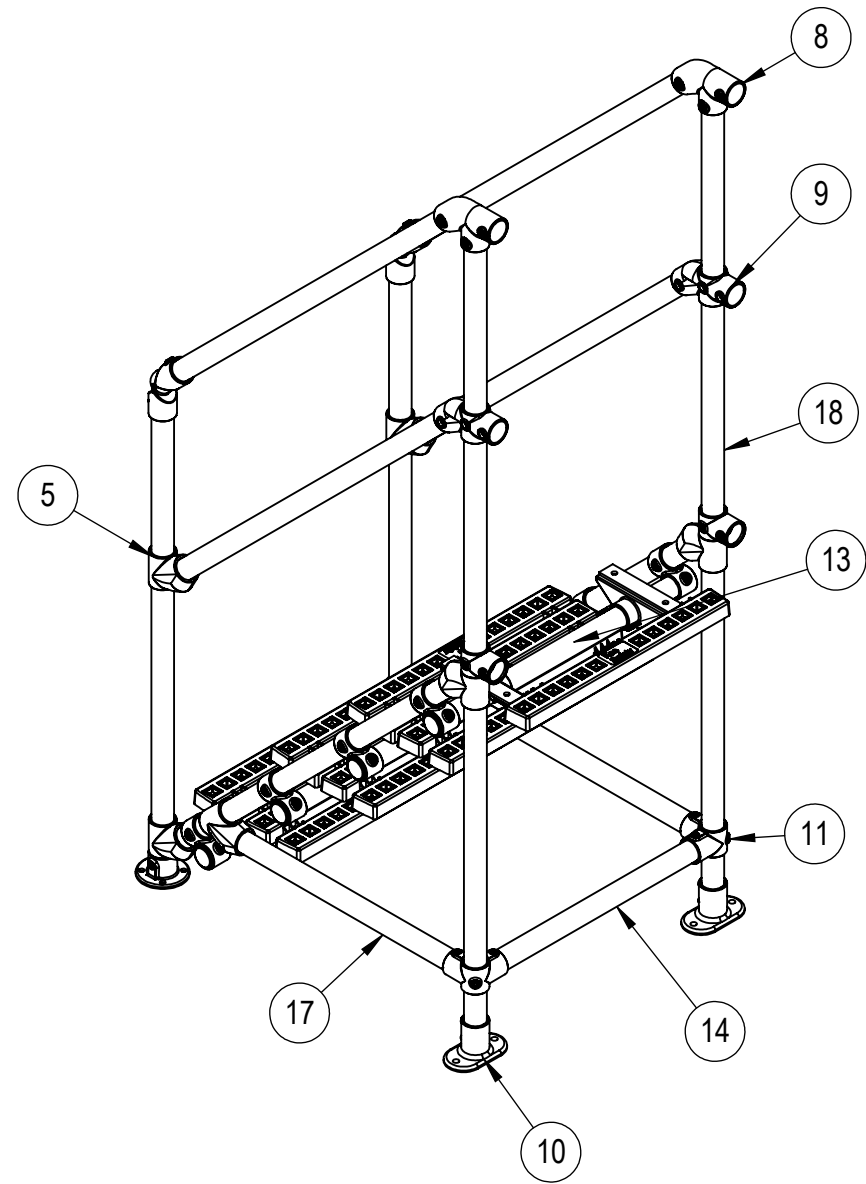
3

2

1

ITEM NO.	PART NO.	DESCRIPTION	QTY.
1	SAP-STEP		4
2	45-8		8
3	133D		8
4	61-8		2
5	29-8		8
6	10-8		2
7	BC53-88		2
8	325-8		2
9	326-8		2
10	62-8		2
11	21-8		2
12	G150GS12GA	48-1/8"	2
13	G150GS12GA	30"	4
14	G150GS12GA	26"	1
15	G150GS12GA	47-3/8"	4
16	G150GS12GA	46-5/8"	2
17	G150GS12GA	27-3/8"	2
18	G150GS12GA	83-7/8"	2

CONFIDENTIAL:
 THIS DRAWING AND THE INFORMATION IT CONTAINS IS CONFIDENTIAL. IT MUST NOT BE REPRODUCED, OR COPIED, OR USED FOR ANY OTHER PURPOSE WITHOUT THE WRITTEN PERMISSION OF KEE SAFETY.



REVISIONS
0
FIRST ISSUE

Kee Safety
 Kee Safety, Inc.
 100 Stradman Street
 Buffalo, NY 14206
 Tel: (716) 896-4949
 Fax: (716) 896-5696
 Toll Free: (800) 851-5181
 www.keesafety.com
 Email: info@keesafety.com

SOLD TO: _____
 END USER: _____
 INSTALL ADDRESS: _____

TITLE: **SAP-S-4-NS-8**

SCALE: N/A	DATE:	DRAWN: AWK	CHECKED: AL
PAGE NO: PG1	DRAWING NO: STAIR BOM	REVISION:	

4

3

2

1

B

B

A

A

4

3

2

1

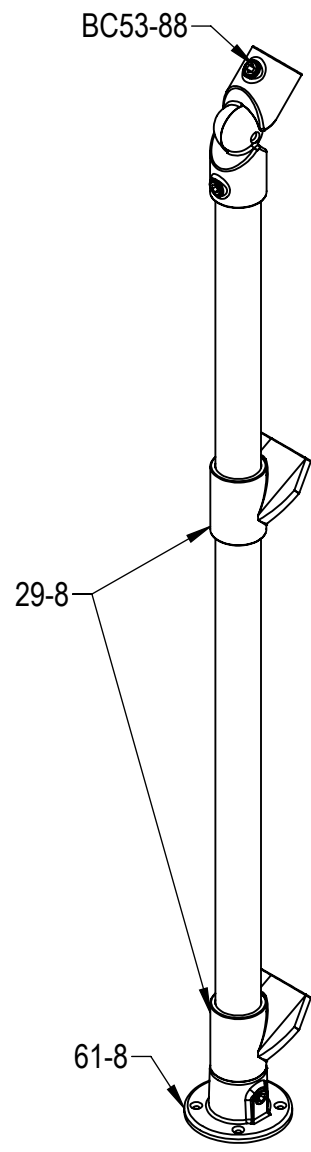
CONFIDENTIAL:
THIS DRAWING AND THE INFORMATION IT
CONTAINS IS CONFIDENTIAL. IT MUST NOT BE
REPRODUCED, OR COPIED, OR USED FOR ANY
OTHER PURPOSE WITHOUT THE WRITTEN
PERMISSION OF KEE SAFETY.

B

B

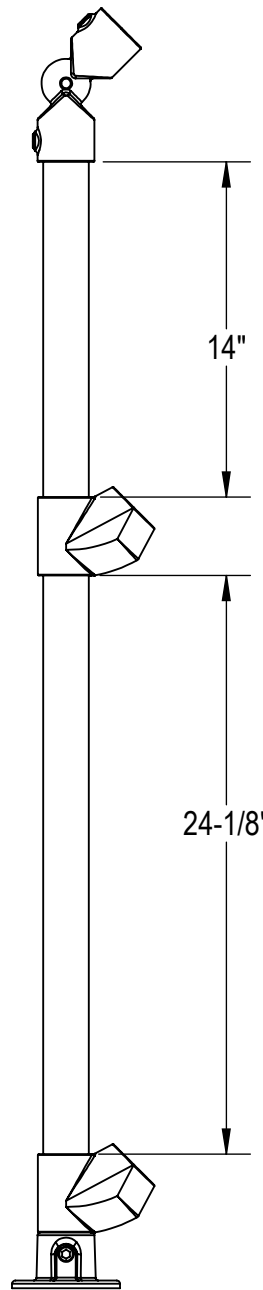
A

A

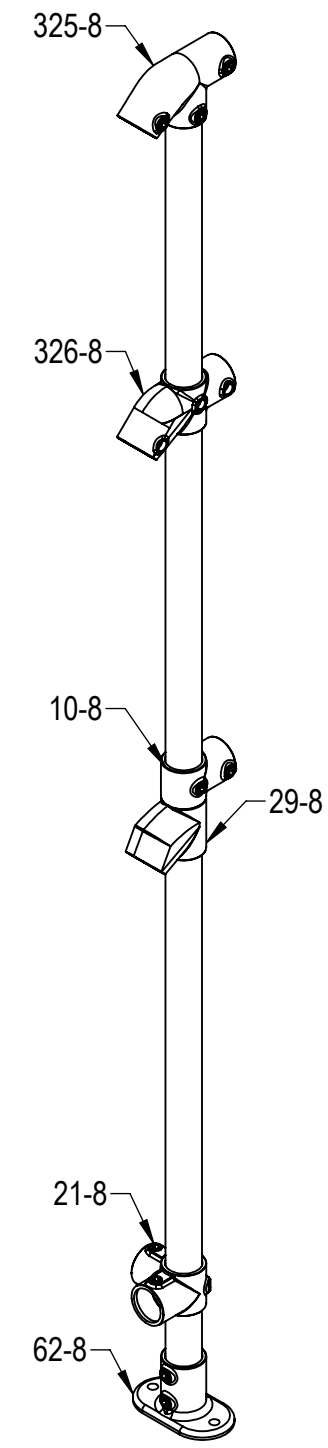


FRONT UPRIGHT DETAIL
NOT TO SCALE

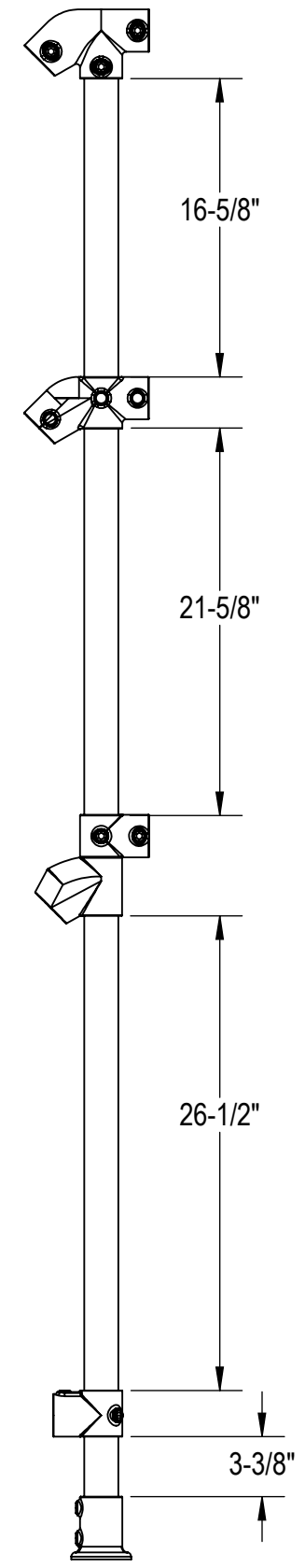
QTY: 2



QTY: 2



REAR UPRIGHT DETAIL
NOT TO SCALE



0	FIRST ISSUE			

Kee Safety, Inc.
100 Stradman Street
Buffalo, NY 14206
Tel: (716) 896-4949
Fax: (716) 896-5696
Toll Free: (800) 851-5181
www.keesafety.com
Email: info@keesafety.com

SOLD TO: _____
END USER: _____
INSTALL ADDRESS: _____

TITLE: SAP-S-4-NS-8			
SCALE: N/A	DATE:	DRAWN: AWK	CHECKED: AL
PAGE NO: PG5	DRAWING NO: STAIR BOM	REVISION:	

4

3

2

1

4

3

2

1

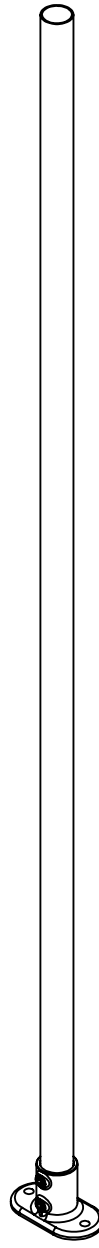
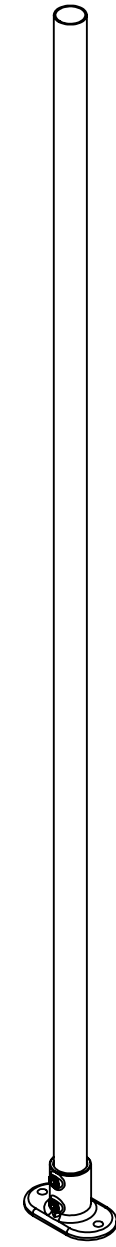
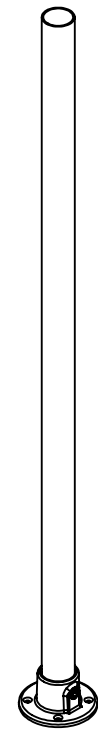
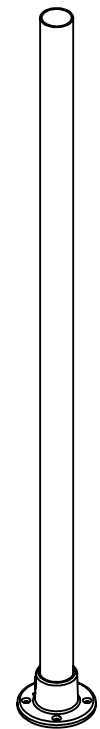
CONFIDENTIAL:
 THIS DRAWING AND THE INFORMATION IT CONTAINS IS CONFIDENTIAL. IT MUST NOT BE REPRODUCED, OR COPIED, OR USED FOR ANY OTHER PURPOSE WITHOUT THE WRITTEN PERMISSION OF KEE SAFETY.

B

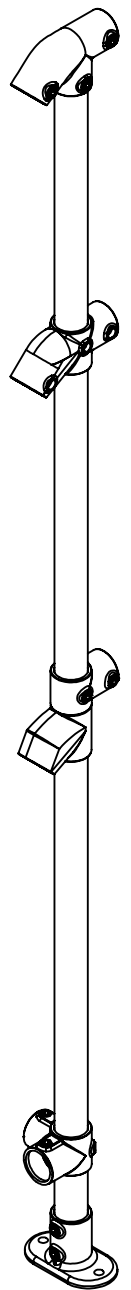
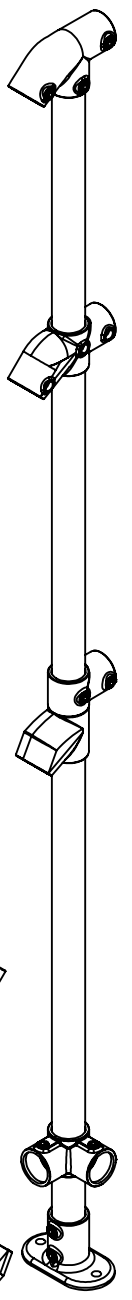
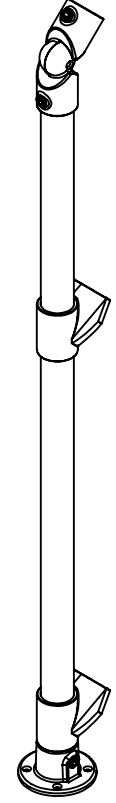
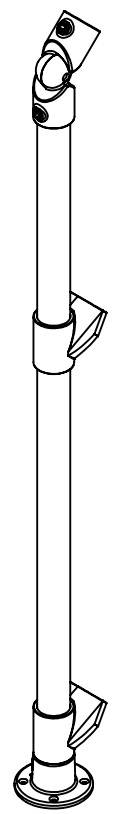
B

A

A




4 STEP ASSEMBLY - 1
 NOT TO SCALE



4 STEP ASSEMBLY - 2
 NOT TO SCALE

REV	DESCRIPTION	DATE
0	FIRST ISSUE	



Kee Safety, Inc.
 100 Stradman Street
 Buffalo, NY 14206
 Tel: (716) 896-4949
 Fax: (716) 896-5696
 Toll Free: (800) 851-5181
 www.keesafety.com
 Email: info@keesafety.com

SOLD TO: _____

END USER: _____

INSTALL ADDRESS: _____

TITLE: **SAP-S-4-NS-8**

SCALE: N/A	DATE:	DRAWN: AWK	CHECKED: AL
PAGE NO: PG6	DRAWING NO: STAIR BOM	REVISION:	

4

3

2

1

4

3

2

1

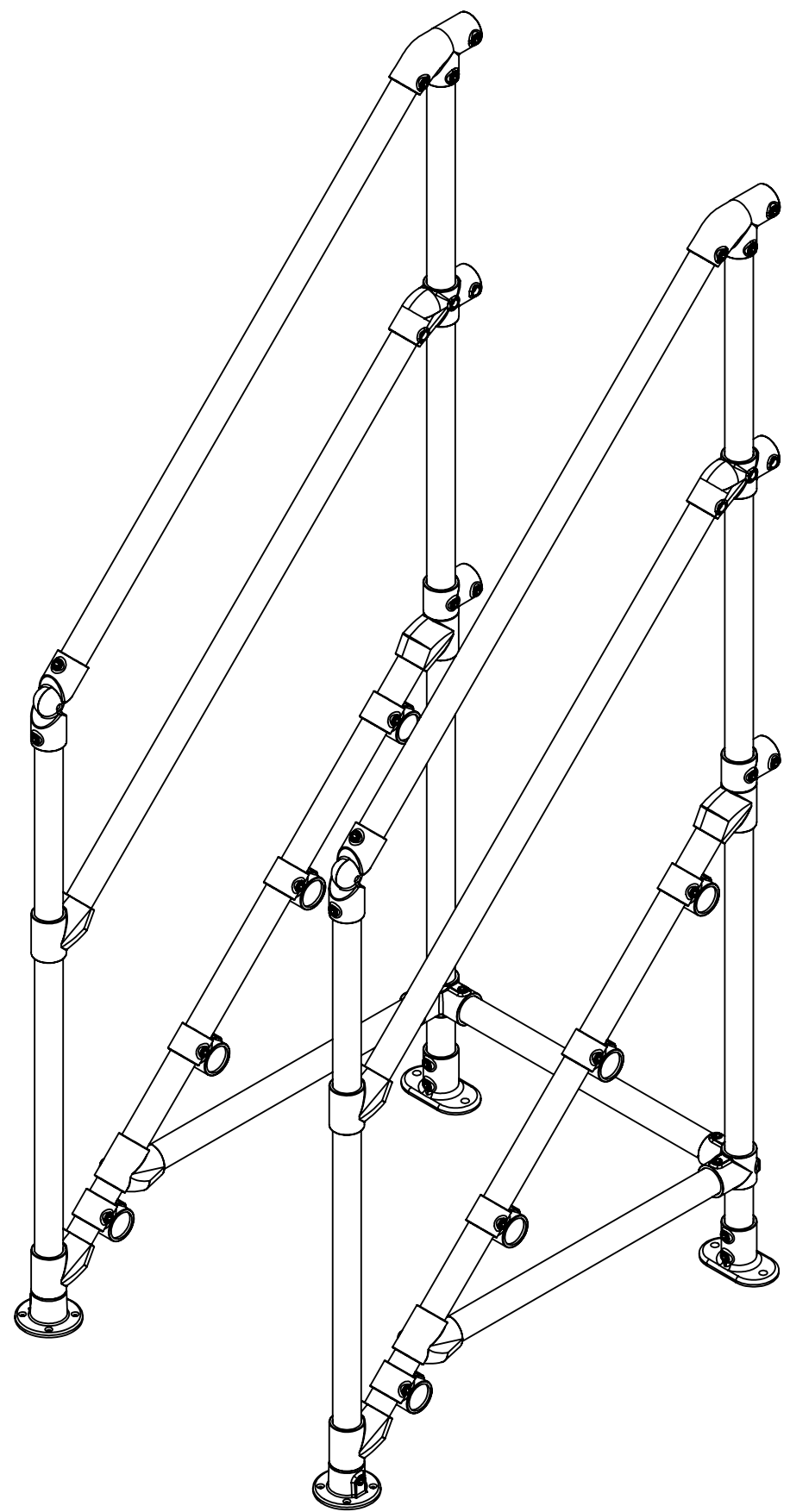
CONFIDENTIAL:
 THIS DRAWING AND THE INFORMATION IT CONTAINS IS CONFIDENTIAL. IT MUST NOT BE REPRODUCED, OR COPIED, OR USED FOR ANY OTHER PURPOSE WITHOUT THE WRITTEN PERMISSION OF KEE SAFETY.

B

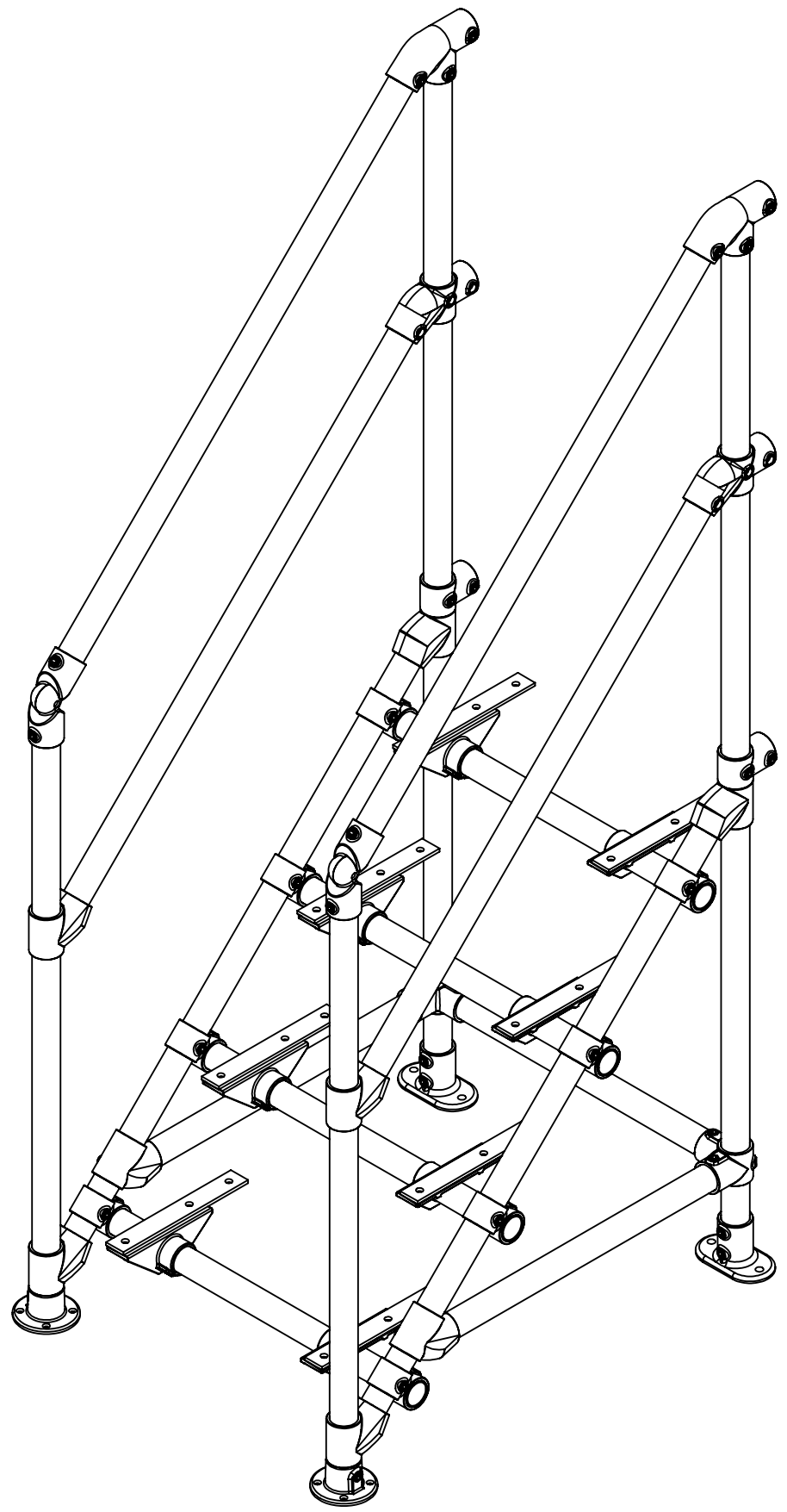
B

A

A



4 STEP ASSEMBLY - 3
 NOT TO SCALE



4 STEP ASSEMBLY - 4
 NOT TO SCALE

REVISIONS	
0	FIRST ISSUE

Kee Safety
 Kee Safety, Inc.
 100 Stradman Street
 Buffalo, NY 14206
 Tel: (716) 896-4949
 Fax: (716) 896-5696
 Toll Free: (800) 851-5181
 www.keesafety.com
 Email: info@keesafety.com

SOLD TO: _____
 END USER: _____
 INSTALL ADDRESS: _____

TITLE: **SAP-S-4-NS-8**

SCALE: N/A	DATE:	DRAWN: AWK	CHECKED: AL
FIG. NO: PG7	DRAWING NO: STAIR BOM	REVISION:	

4

3

2

1

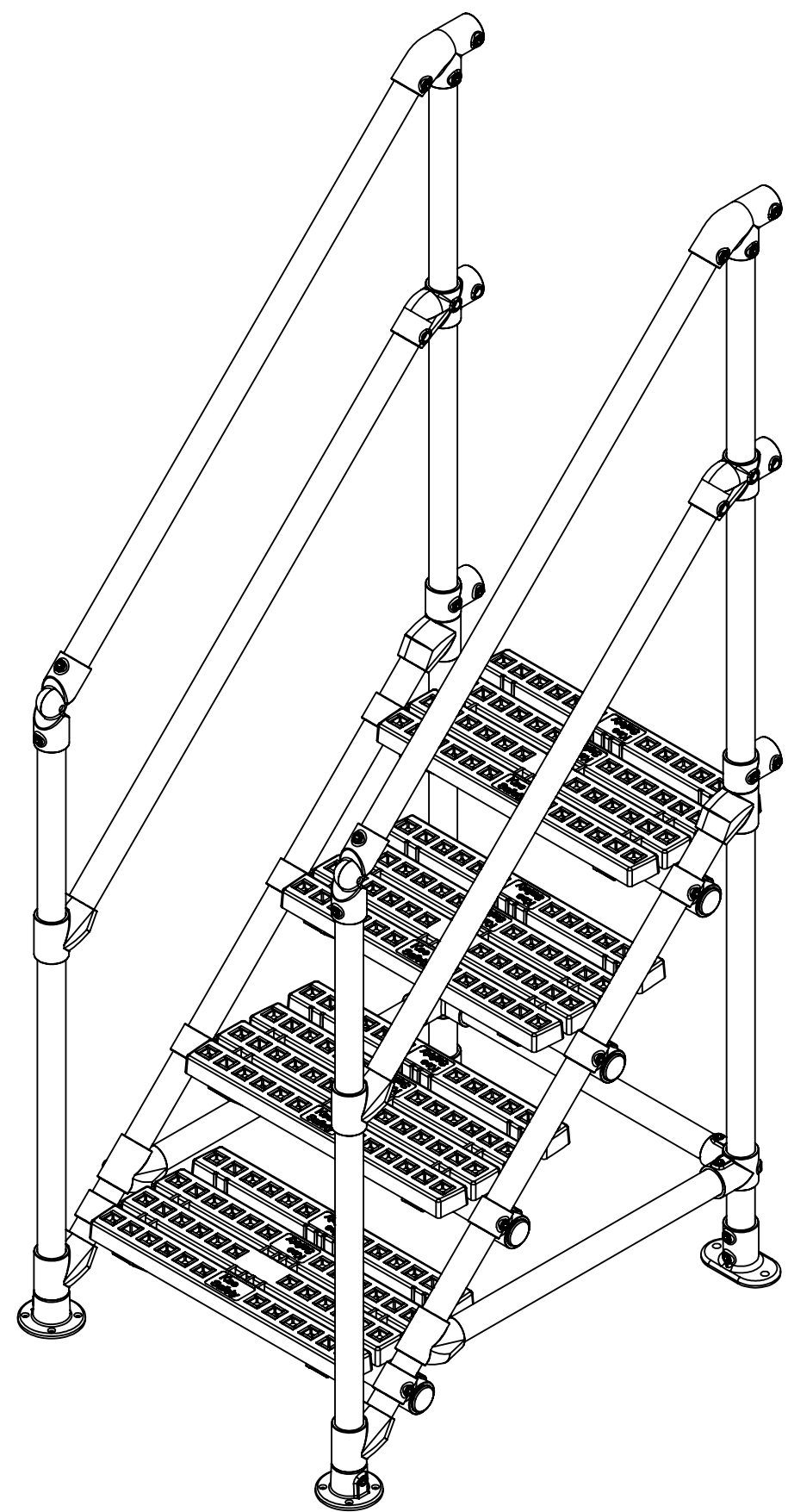
4

3

2

1

CONFIDENTIAL:
 THIS DRAWING AND THE INFORMATION IT CONTAINS IS CONFIDENTIAL. IT MUST NOT BE REPRODUCED, OR COPIED, OR USED FOR ANY OTHER PURPOSE WITHOUT THE WRITTEN PERMISSION OF KEE SAFETY.



4 STEP ASSEMBLY - 5
 NOT TO SCALE

REVISIONS	
0	FIRST ISSUE

Kee Safety
 Kee Safety, Inc.
 100 Stradman Street
 Buffalo, NY 14206
 Tel: (716) 896-4949
 Fax: (716) 896-5696
 Toll Free: (800) 851-5181
 www.keesafety.com
 Email: info@keesafety.com

SOLD TO: _____
 END USER: _____
 INSTALL ADDRESS: _____

TITLE: **SAP-S-4-NS-8**

SCALE: N/A	DATE:	DRAWN: AWK	CHECKED: AL
PAGE NO: PG8	DRAWING NO: STAIR BOM	REVISION:	

4

3

2

1

B

B

A

A