





4

3

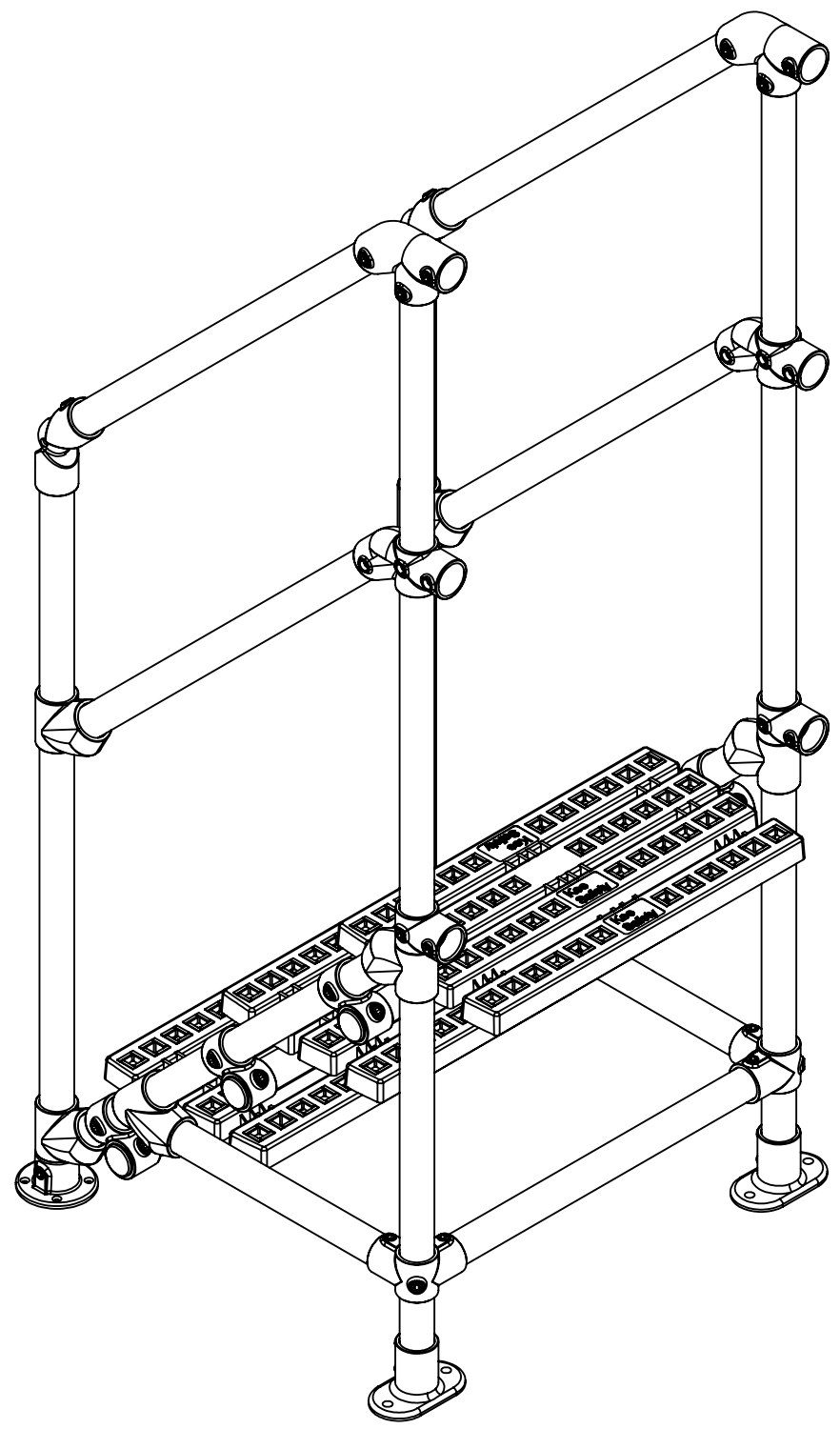
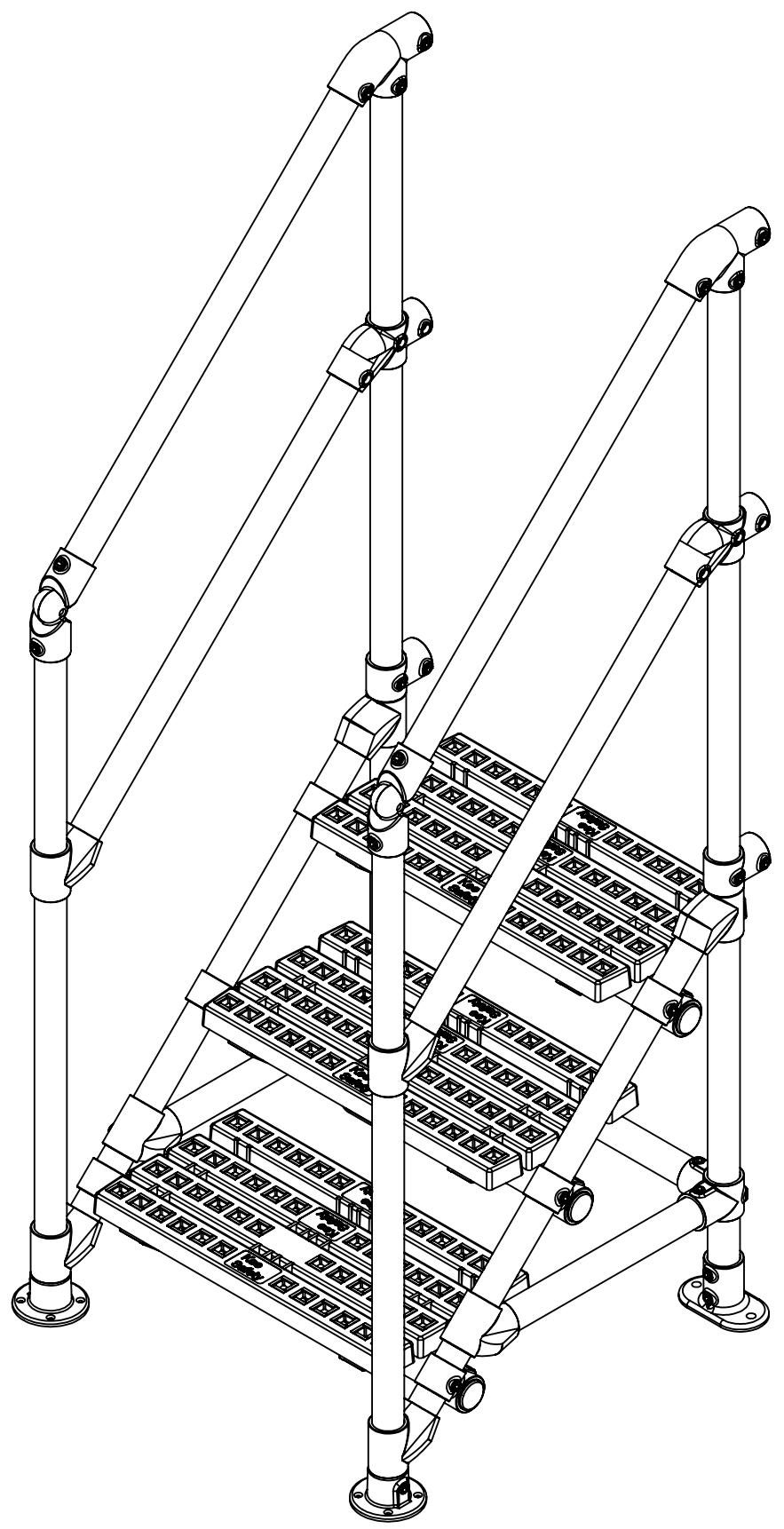
2

1

**CONFIDENTIAL:**  
 THIS DRAWING AND THE INFORMATION IT CONTAINS IS CONFIDENTIAL. IT MUST NOT BE REPRODUCED, OR COPIED, OR USED FOR ANY OTHER PURPOSE WITHOUT THE WRITTEN PERMISSION OF KEE SAFETY.

B

B



4

3

2

1

A

A

REVISIONS	
0	FIRST ISSUE



Kee Safety, Inc.  
 100 Stradman Street  
 Buffalo, NY 14206  
 Tel: (716) 896-4949  
 Fax: (716) 896-5696  
 Toll Free: (800) 851-5181  
 www.keesafety.com  
 Email: info@keesafety.com

SOLD TO: \_\_\_\_\_

END USER: \_\_\_\_\_

INSTALL ADDRESS: \_\_\_\_\_

TITLE: **SAP-S-3-NS-8**

SCALE: N/A	DATE:	DRAWN: AWK	CHECKED: AL
FIG. NO: PG3	DRAWING NO: STAIR BOM	REVISION:	

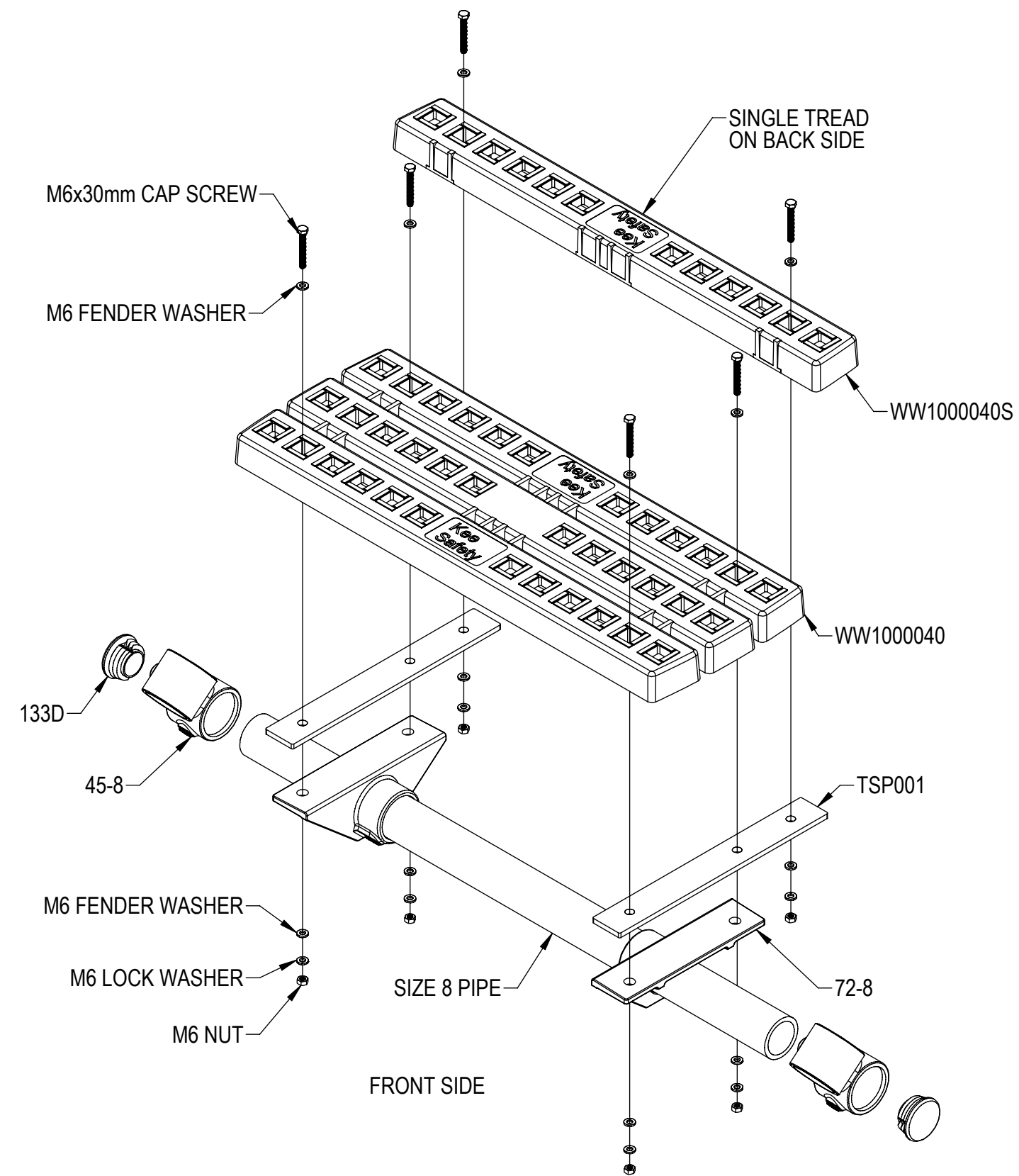
4

3

2

1

**CONFIDENTIAL:**  
 THIS DRAWING AND THE INFORMATION IT CONTAINS IS CONFIDENTIAL. IT MUST NOT BE REPRODUCED, OR COPIED, OR USED FOR ANY OTHER PURPOSE WITHOUT THE WRITTEN PERMISSION OF KEE SAFETY.



**QTY: 3**  
**SINGLE TREAD SHOULD BE BACK SIDE WHEN INSTALLING SAP-STEP**

REVISIONS	
0	FIRST ISSUE

**Kee Safety**  
 Kee Safety, Inc.  
 100 Stradman Street  
 Buffalo, NY 14206  
 Tel: (716) 896-4949  
 Fax: (716) 896-5696  
 Toll Free: (800) 851-5181  
 www.keesafety.com  
 Email: info@keesafety.com

SOLD TO: \_\_\_\_\_  
 END USER: \_\_\_\_\_  
 INSTALL ADDRESS: \_\_\_\_\_

TITLE: **SAP-S-3-NS-8**

SCALE: N/A	DATE:	DRAWN: AWK	CHECKED: AL
PAGE NO: PG4	DRAWING NO: STAIR BOM	REVISION:	

4

3

2

1

B

B

A

A







