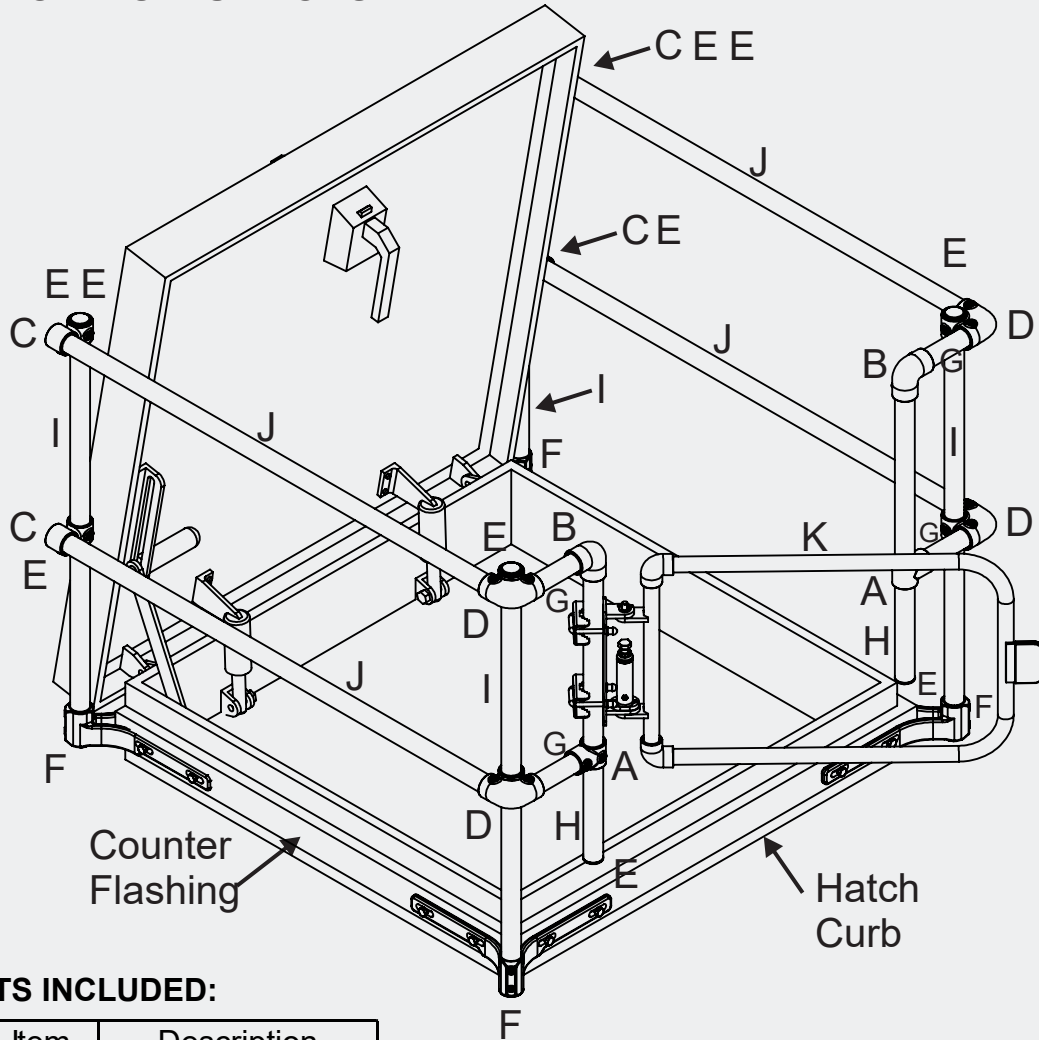




KEE HATCH® RAILING MODEL RHSR-O 4848

INSTALLATION INSTRUCTIONS



PARTS INCLUDED:

| | #Q | Item | Description |
|---|----|---------|-------------------|
| A | 2 | 10-7 | Single Socket Tee |
| B | 2 | 15-7 | 90 ° Elbow |
| C | 4 | 45-7 | Crossover |
| D | 4 | 121-7 | Corner Crossover |
| E | 10 | 133C | Plastic Plug |
| F | 4 | 161-7 | Corner Bracket |
| G | 4 | 12" | Pipe |
| H | 2 | 30" | Pipe |
| I | 4 | 42 3/4" | Pipe |
| J | 4 | 66" | Pipe |
| K | 1 | | Self Closing Gate |

| Hardware included: | |
|--------------------|-----------------------------|
| #Q | Description |
| 16 | 3/8" x 2 1/2" Hex Head Bolt |
| 16 | 3/8" x 1 1/4" Hex Head Bolt |
| 16 | 3/8" Nut |
| 16 | 3/8" Flat Washer |
| 16 | 3/8" Lock Washer |
| 16 | 3/8" Fender Washer |
| 1 | Hex Key Set |



KEE HATCH® RAILING MODEL RHSR-O 4848

INSTALLATION INSTRUCTIONS

There are two methods of installing our Kee Hatch Railing System:

1. Mounting on the counter flashing.
2. Mounting on the hatch curb.

We strongly recommend mounting on the counter flashing to avoid roof penetrations in the hatch curb.

| 1. Mounting on the Roof Hatch Counter Flashing (please refer to drawing on page 1) | |
|---|---|
| STEP 1 | Hold Corner Bracket (F) tight to corner of counter flashing. |
| STEP 2 | Mark one hole closest to corner, remove bracket and drill a 7/16" hole (titanium bits work best). |
| STEP 3 | Bolt bracket to counter flashing using 1¼ bolt, washer and lock washer, loosely tighten. |
| STEP 4 | Insert post (I) into bracket, plumb side to side, drill outside hole, insert 1¼" bolt, washer and lock washer, tighten both bolts. |
| STEP 5 | Plumb post in opposite direction, drill outside hole, insert 1¼" bolt, tighten, drill inside hole, insert 1¼" bolt, tighten both bolts. |
| STEP 6 | Repeat for all Corner Brackets. |
| STEP 7 | Install top & mid railings (J) as shown in diagram keeping top Railing at least 42" above roof surface and positioning mid railing halfway between the top rail and the top of the hatch curb, level rails, cut off excess top and mid Railing close to fittings. |
| STEP 8 | Install stubs (G) and handles (H) as shown in diagram. If necessary, cut stubs to size so that the opening at the gate is no less than 36". |
| STEP 9 | Torque all fitting set screws to 29-foot pounds. |
| STEP 10 | Install Self Closing Gate (K) per instructions in gate box, adjust gate tension. |
| STEP 11 | Check roof hatch for proper unobstructed closing. |



KEE HATCH® RAILING MODEL RHSR-O 4848

INSTALLATION INSTRUCTIONS

| | |
|---|---|
| 2. Mounting on Roof Hatch Curb (please refer to drawing on page 1) | |
| Abide by industry standards for mounting, fastening and sealing Corner and Side Brackets. | |
| STEP 1 | Hold Corner Bracket (F) tight to corner of hatch curb. |
| STEP 2 | Mark one hole closest to corner, remove bracket and drill a 7/16" hole (titanium bits work best). |
| STEP 3 | Place roof sealant on inside of bracket, run bolt with fender and lock washer thru inside of curb, loosely bolt bracket to curb. |
| STEP 4 | Insert post (I) into bracket, plumb side to side, drill outside hole, run bolt thru inside of curb with fender washer and lock washer, tighten both bolts. |
| STEP 5 | Plumb post in opposite direction, drill outside hole, insert bolt, fender washer and lock washer, tighten, drill inside hole, insert bolt, fender washer and lock washer, tighten both bolts |
| STEP 6 | Repeat for all Corner Brackets |
| STEP 7 | Install top & mid railings (J) as shown in diagram keeping top Railing at least 42" above roof surface and positioning mid railing halfway between the top rail and the top of the hatch curb, level rails, cut off excess top and mid Railing close to fittings. |
| STEP 8 | Install stubs (G) and handles (H) as shown in diagram. If necessary cut stubs to size so that the opening at the gate is no less than 36". |
| STEP 9 | Torque all fitting set screws to 29-foot pounds. |
| STEP 10 | Install Self Closing Gate (K) per instructions in gate box, adjust gate tension. |
| STEP 11 | Cut off all bolt ends to the nuts. File or grind burrs on bolt ends. Caulk over nuts. |
| STEP 12 | Check roof hatch for proper unobstructed closing. |